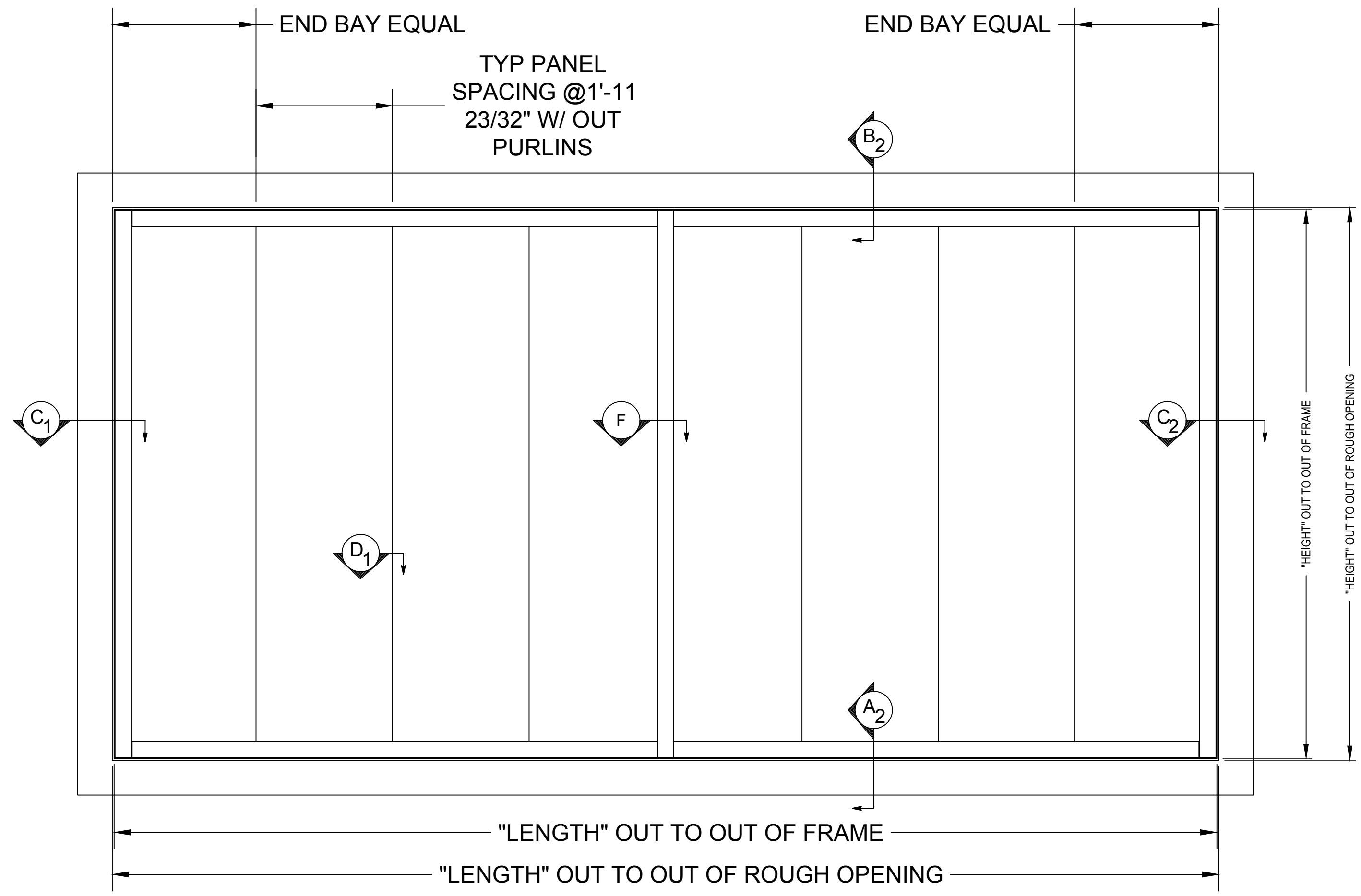
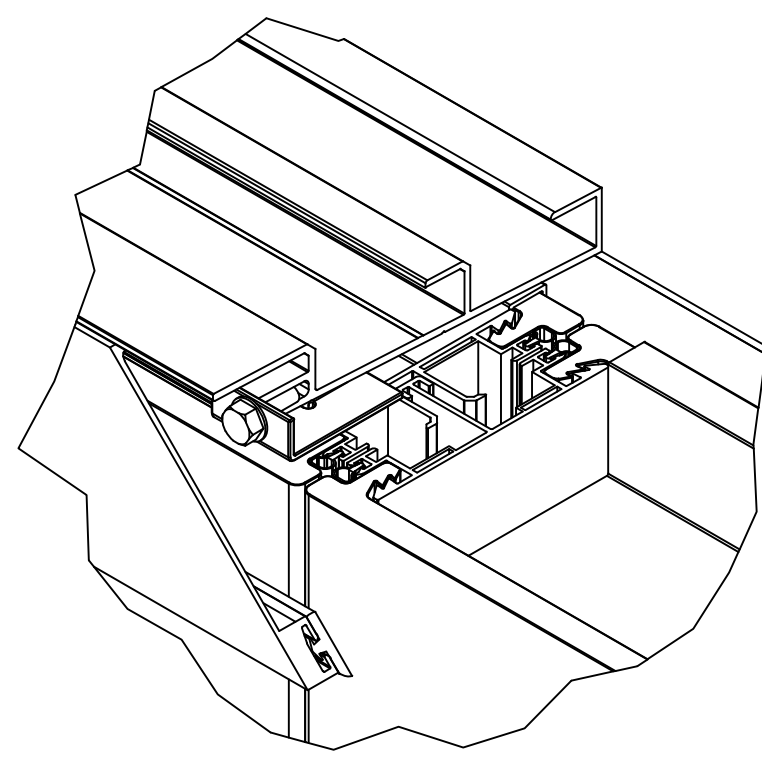
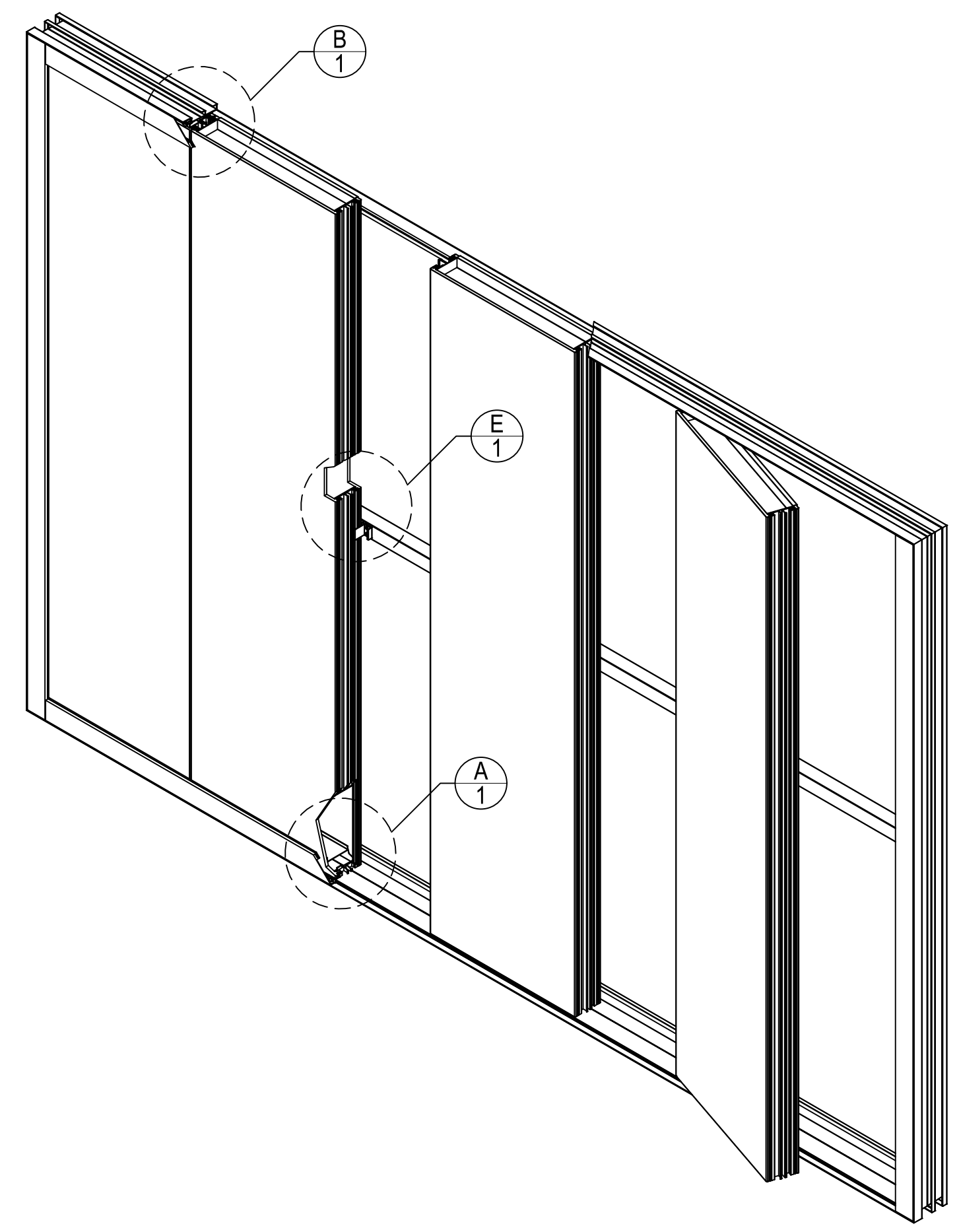


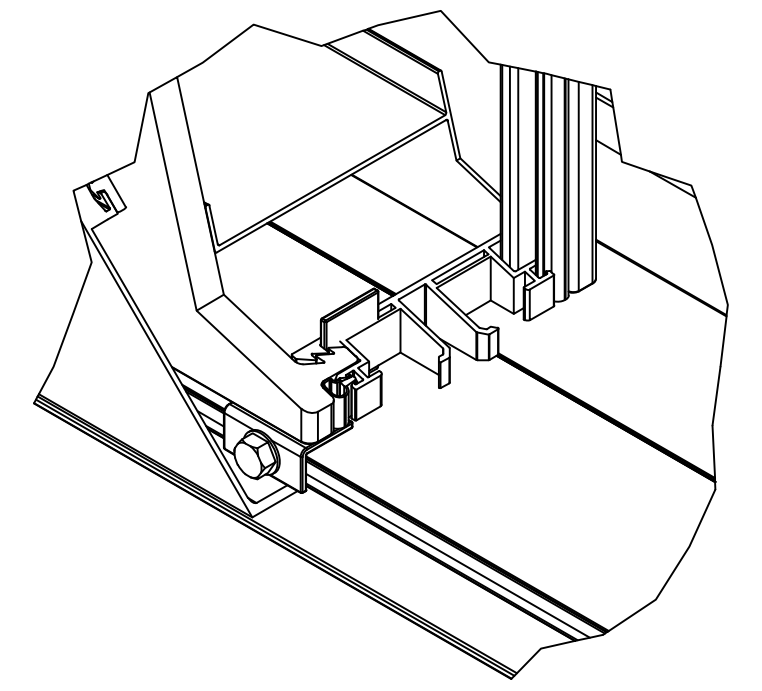
ELEVATION (FLUSH)



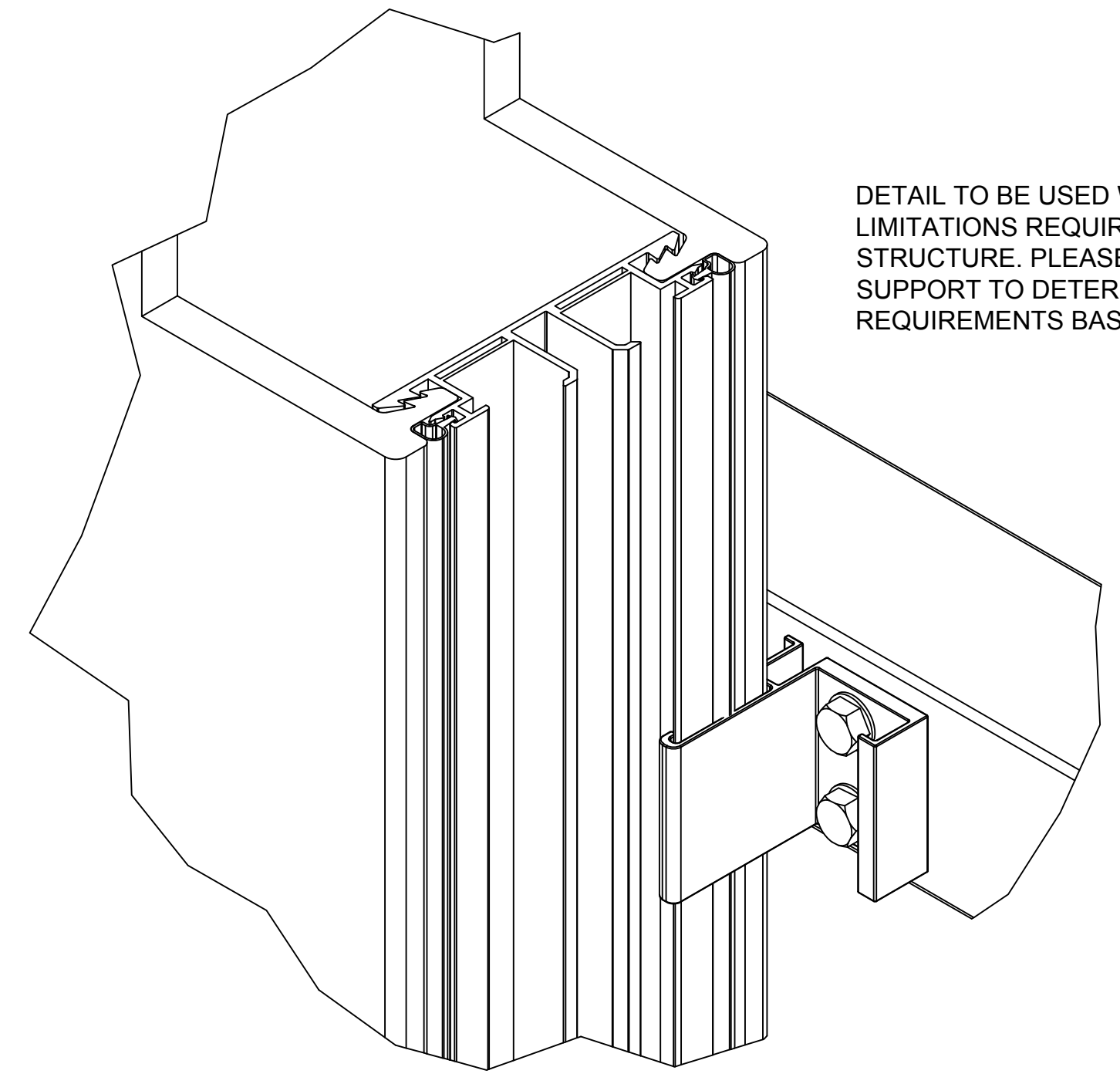
ELEVATION (W/ OPTIONAL MULLION)



B<sub>1</sub> UNICLIP CONNECTION @ HEAD  
4" UNIQUAD



A<sub>1</sub> UNICLIP CONNECTION @ HEAD  
4" UNIQUAD



E<sub>1</sub> CLIP CONNECTION @ PURLIN  
4" UNIQUAD

DETAIL TO BE USED WHEN SPANNING LIMITATIONS REQUIRE ADDITIONAL SUPPORT STRUCTURE. PLEASE CONTACT ARCHITECTURAL SUPPORT TO DETERMINE THE STRUCTURAL REQUIREMENTS BASED ON LOADING CONDITIONS

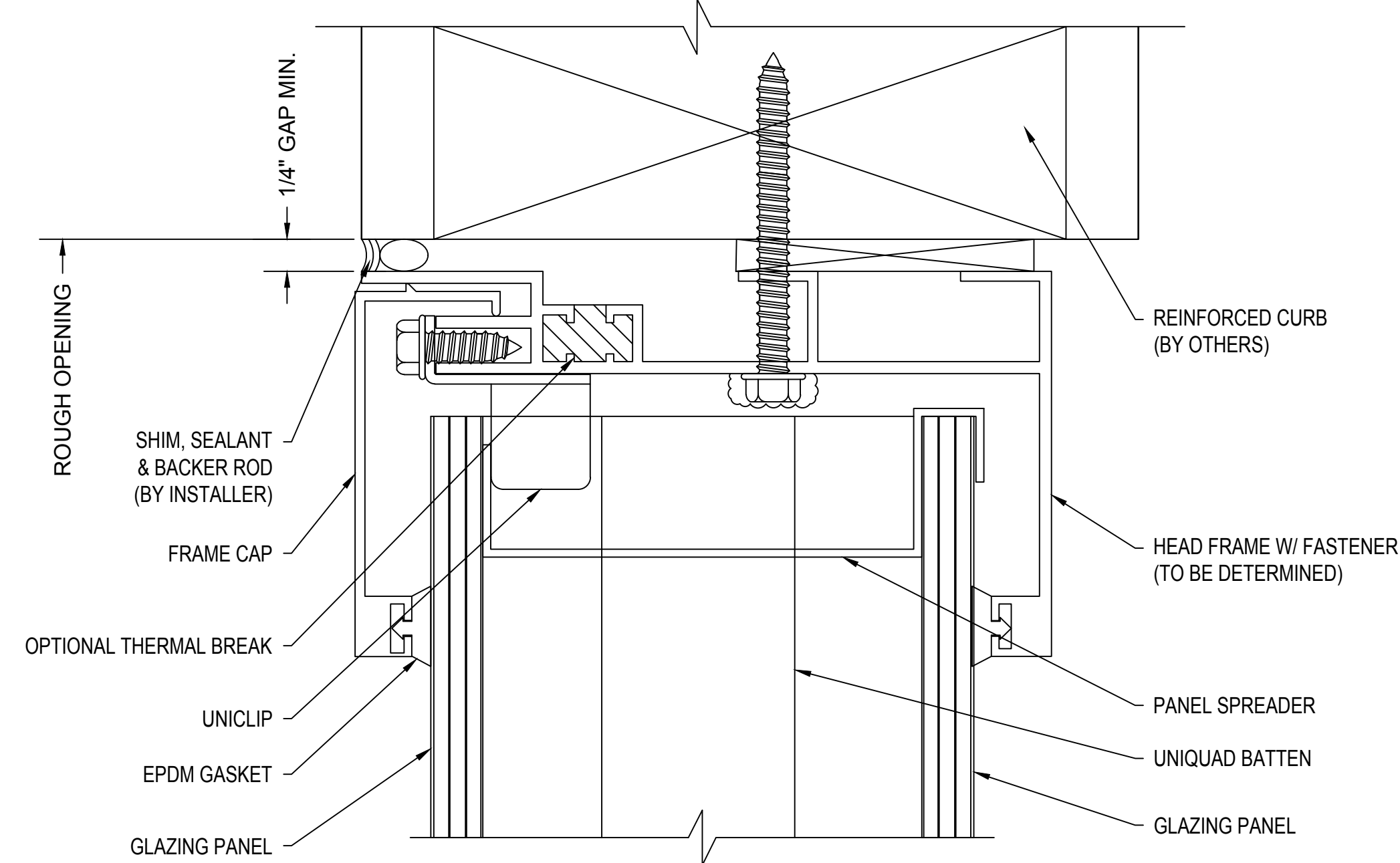
**TRANSLUCENT WALLS**  
4" UNIQUAD  
LONG SPANS - CONTACT TO VERIFY DESIGN LOADS



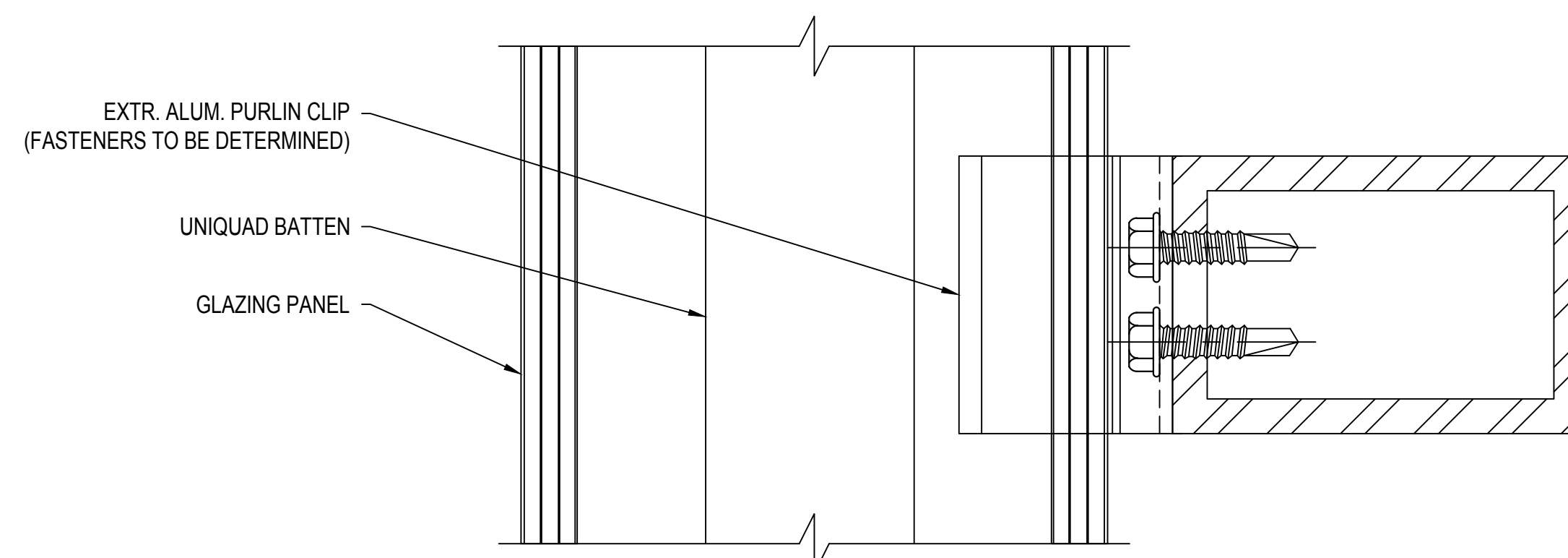
28662 N. Ballard Drive  
Lake Forest, IL 60045 USA  
T: +1 847.816.1060  
F: +1 847.816.0475

**Note**  
The standard details shown are for reference only.  
Please contact our Architectural Support Department for job specific details and for information regarding the usage, limitations, and or code requirements pertaining to this product, please contact us at:  
support@cpidaylighting.com

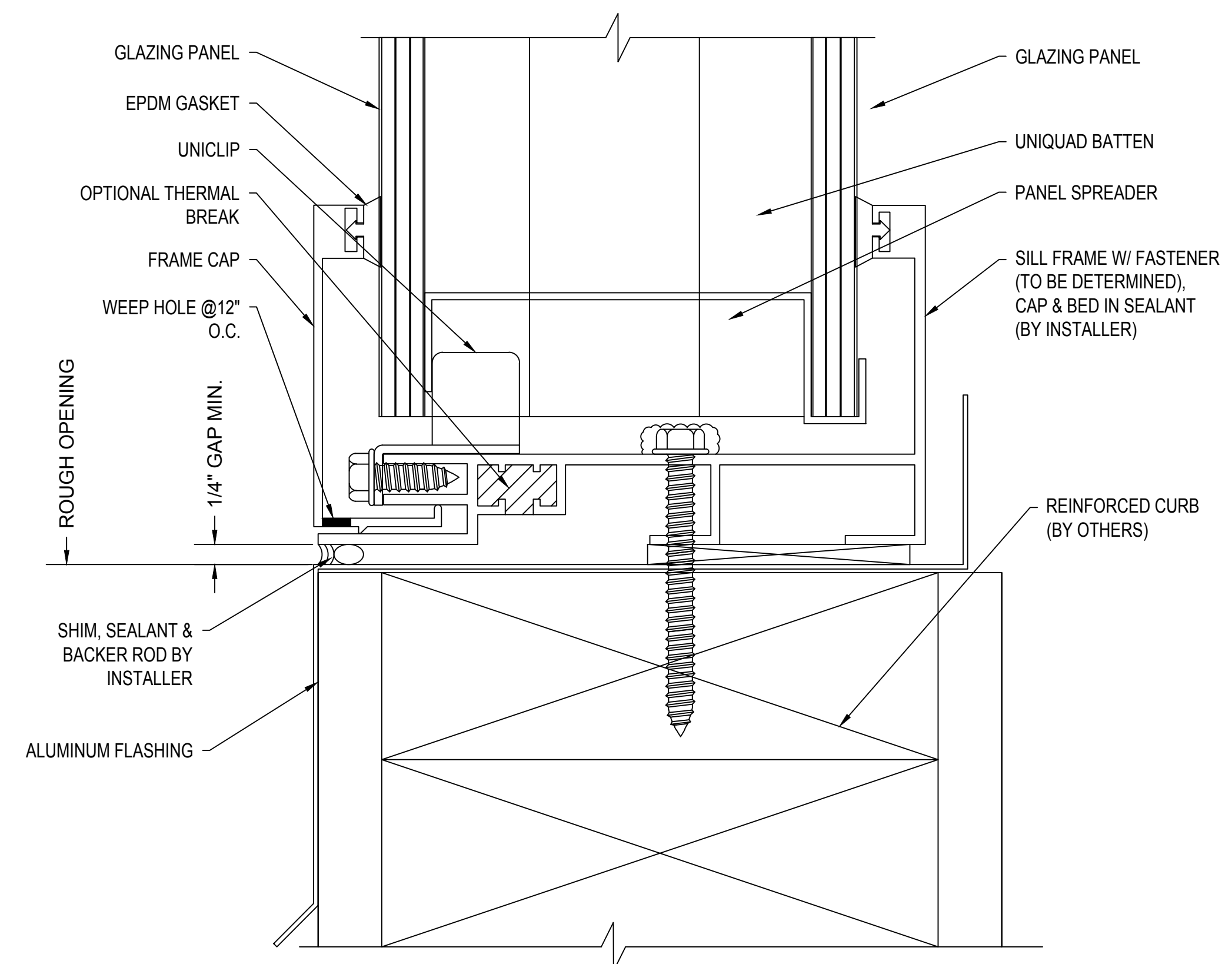
Details are subject to change and should be verified with our Architectural Support Department prior to implementation, please contact us at: support@cpidaylighting.com



**B<sub>2</sub>** SECTION @ HEAD  
4" UNIQUAD



**E<sub>2</sub>** SECTION @ PURLIN  
4" UNIQUAD



**A<sub>2</sub>** SECTION @ SILL  
4" UNIQUAD

DETAIL TO BE USED WHEN SPANNING LIMITATIONS REQUIRE ADDITIONAL SUPPORT STRUCTURE. PLEASE CONTACT ARCHITECTURAL SUPPORT TO DETERMINE THE STRUCTURAL REQUIREMENTS BASED ON LOADING CONDITIONS

**TRANSLUCENT WALLS**  
**4" UNIQUAD**  
LONG SPANS - CONTACT TO VERIFY DESIGN LOADS



28662 N. Ballard Drive  
Lake Forest, IL 60045 USA  
T: +1 847.816.1060  
F: +1 847.816.0475

**Note**

The standard details shown are for reference only.

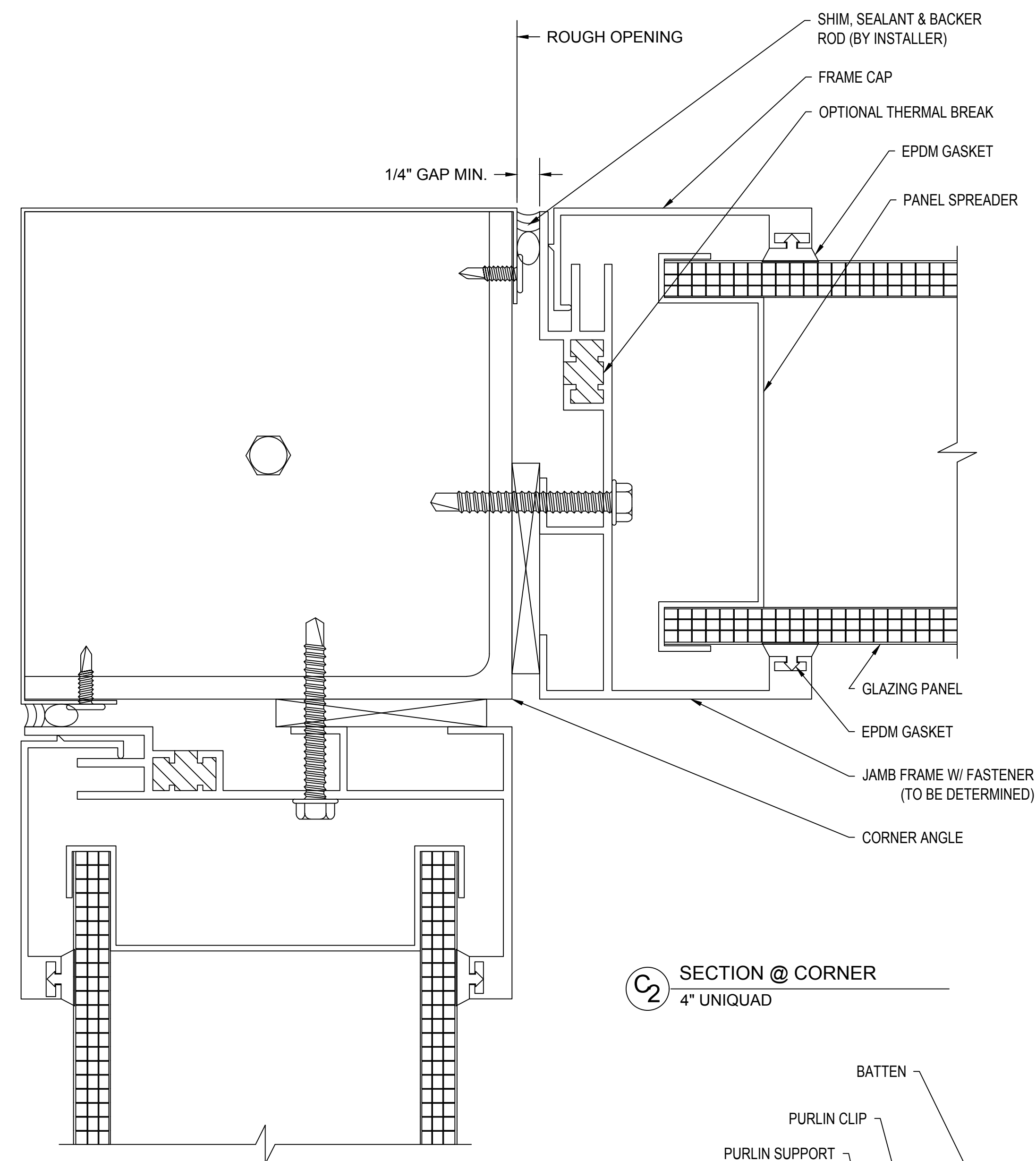
Please contact our Architectural Support Department for job specific details and for information regarding the usage, limitations, and or code requirements pertaining to this product, please contact us at:

support@cpidaylighting.com

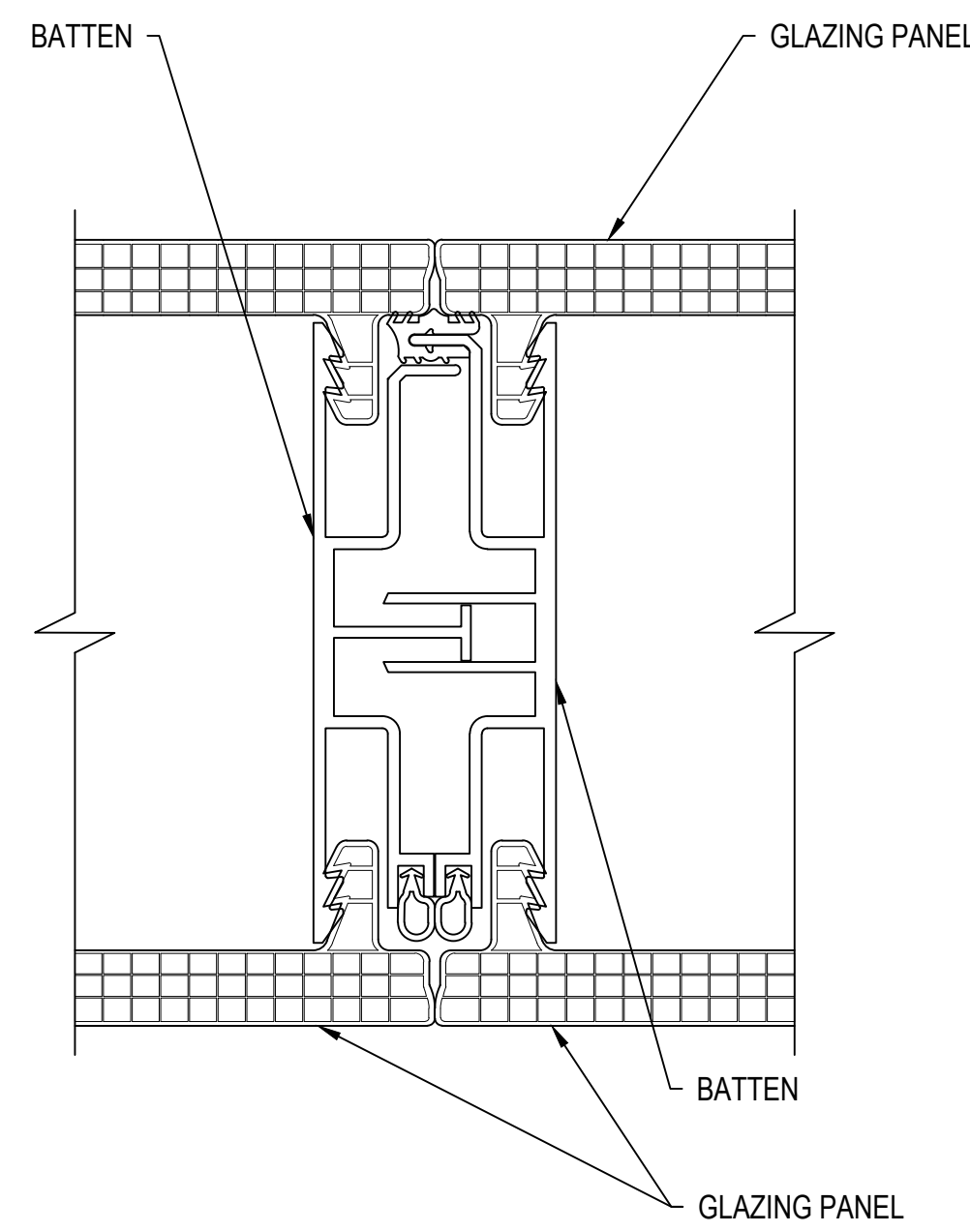
Details are subject to change and should be verified with our Architectural Support Department prior to implementation, please contact us at: support@cpidaylighting.com

SHEET NO.

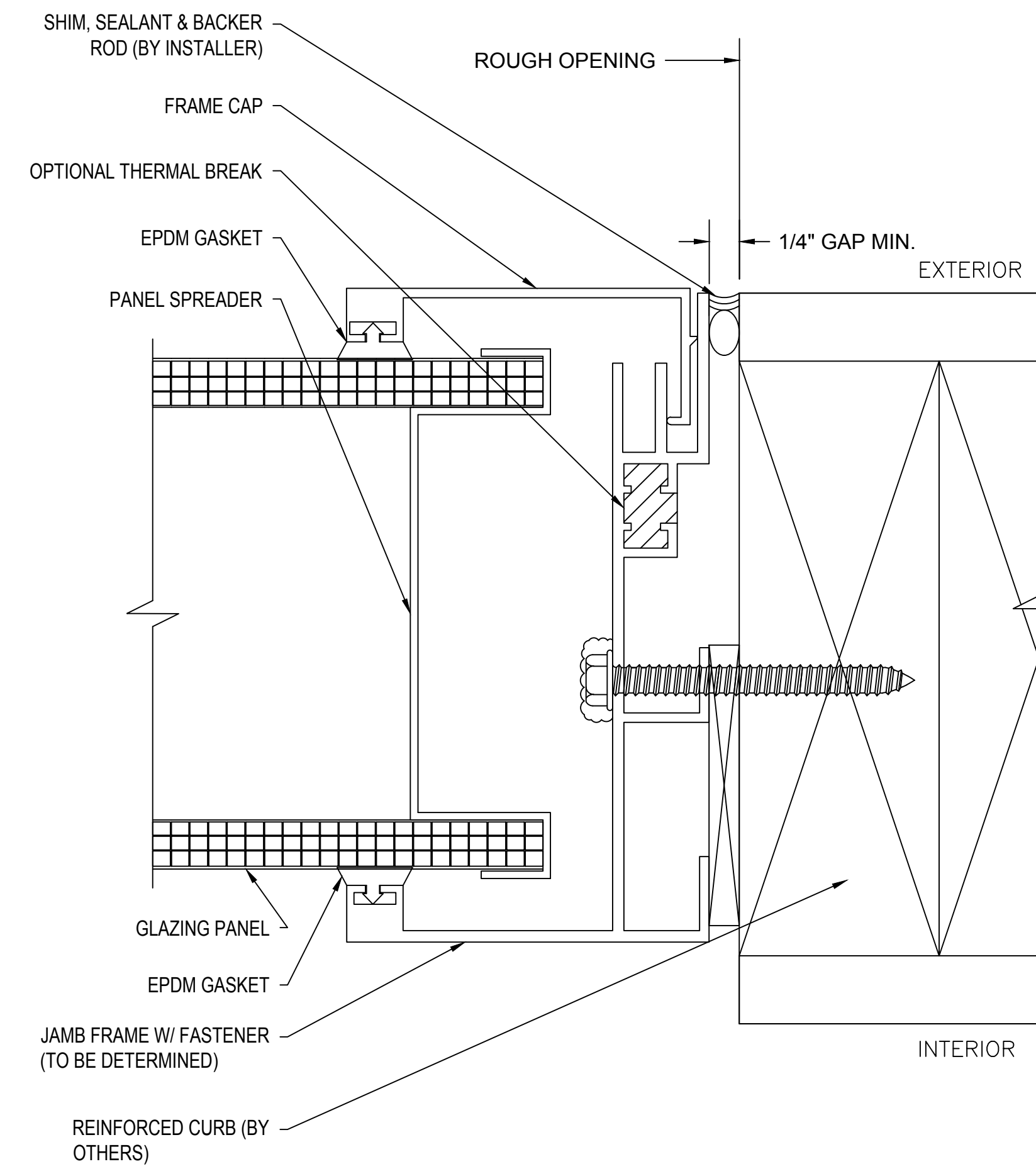
2 OF 3



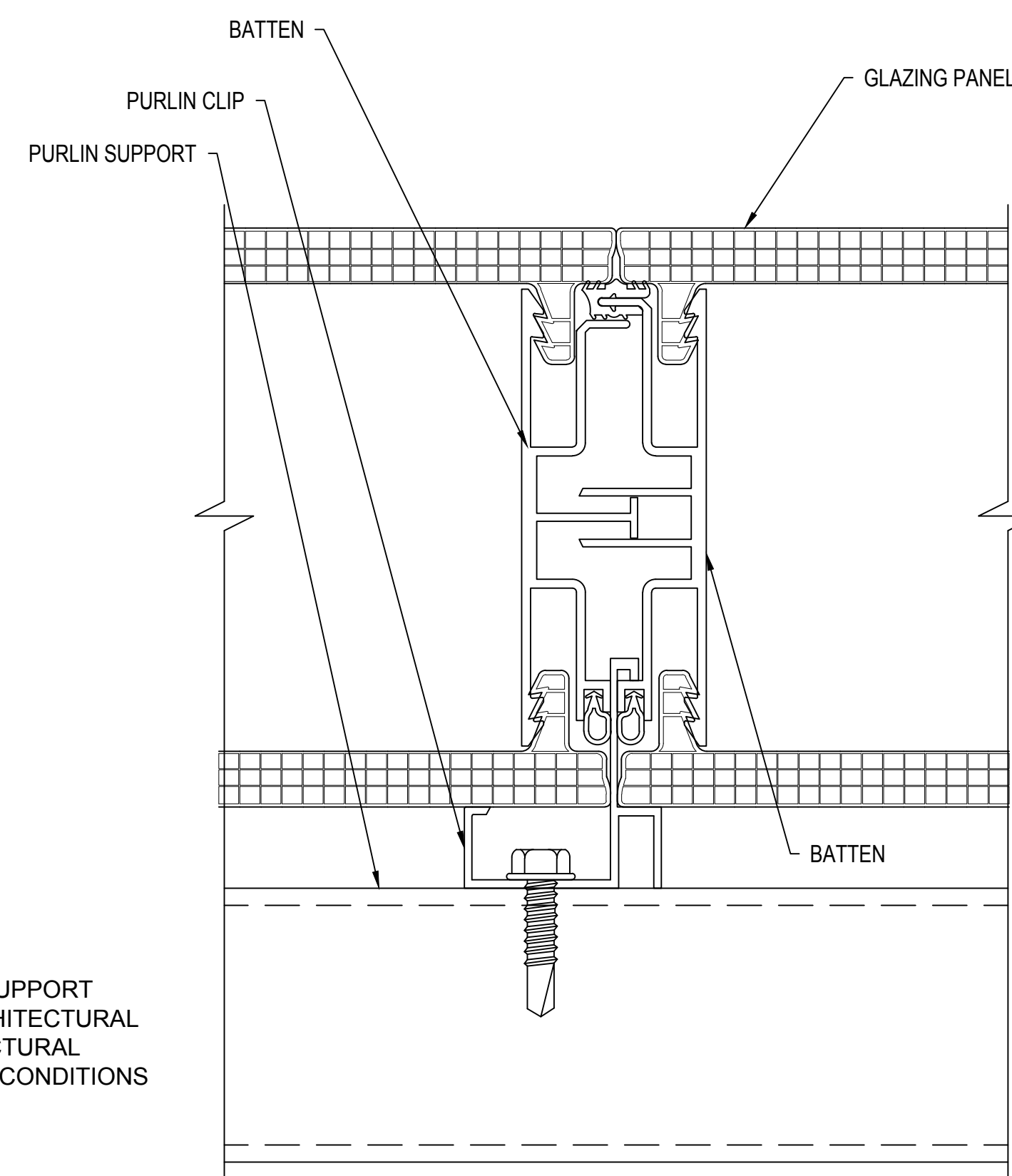
C<sub>2</sub> SECTION @ CORNER  
4" UNIQUAD



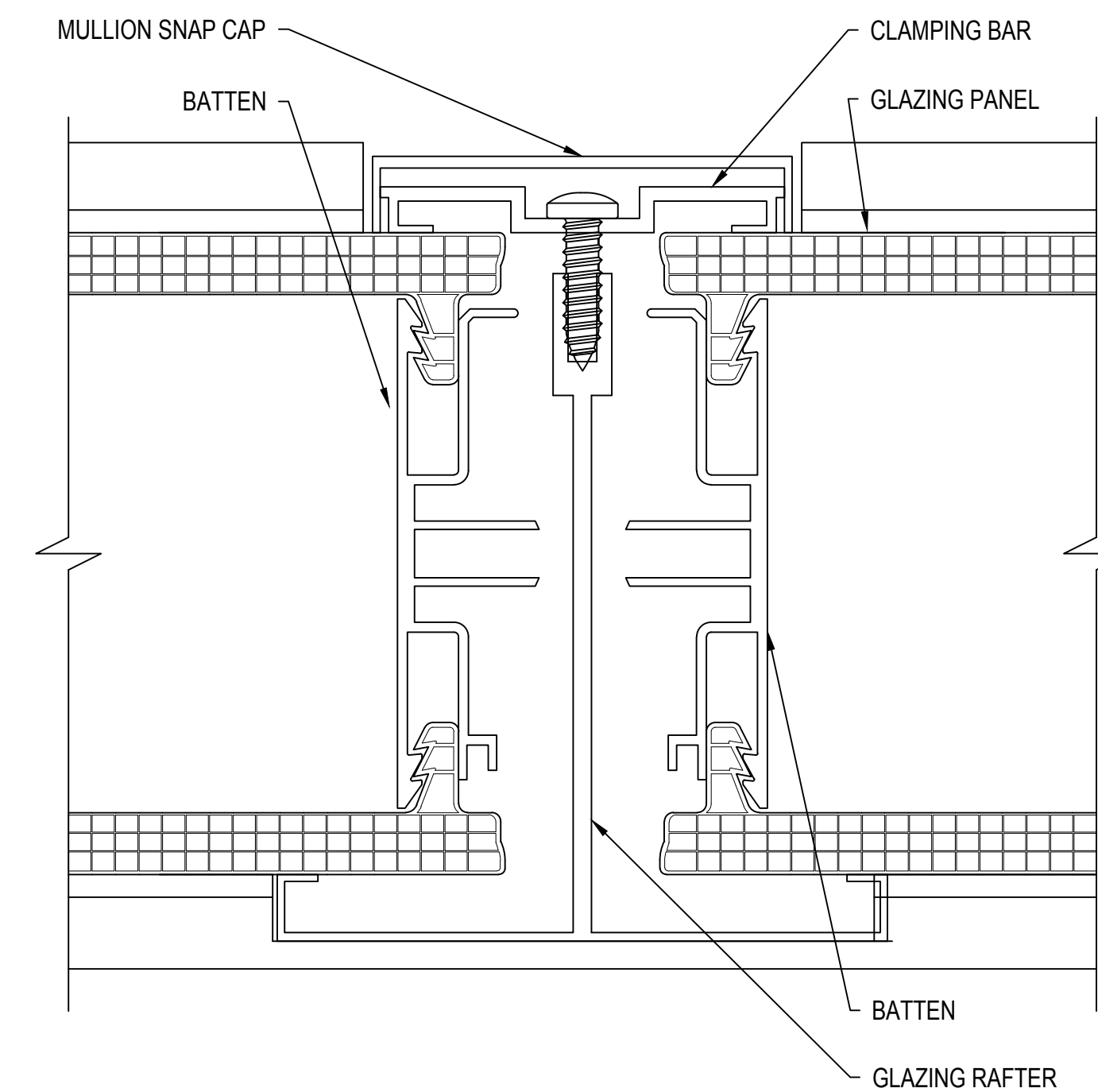
D<sub>1</sub> SECTION @ BATTEN  
4" UNIQUAD



C<sub>1</sub> SECTION @ JAMB  
4" UNIQUAD



D<sub>2</sub> SECTION @ BATTEN (WITH STRUCTURE)  
4" UNIQUAD



F SECTION @ VERTICAL MULLION (OPTIONAL)  
4" UNIQUAD

DETAIL TO BE USED WHEN SPANNING LIMITATIONS REQUIRE ADDITIONAL SUPPORT STRUCTURE. PLEASE CONTACT ARCHITECTURAL SUPPORT TO DETERMINE THE STRUCTURAL REQUIREMENTS BASED ON LOADING CONDITIONS

Details are subject to change and should be verified with our Architectural Support Department prior to implementation, please contact us at: [support@cpidaylighting.com](mailto:support@cpidaylighting.com)

# TRANSLUCENT WALLS

## 4" UNIQUAD

LONG SPANS - CONTACT TO VERIFY DESIGN LOADS



28662 N. Ballard Drive  
Lake Forest, IL 60045 USA  
T: +1 847.816.1060  
F: +1 847.816.0475

**Note**

The standard details shown are for reference only.

Please contact our Architectural Support Department for job specific details and for information regarding the usage, limitations, and or code requirements pertaining to this product, please contact us at:

[support@cpidaylighting.com](mailto:support@cpidaylighting.com)

SHEET NO.

3 OF 3