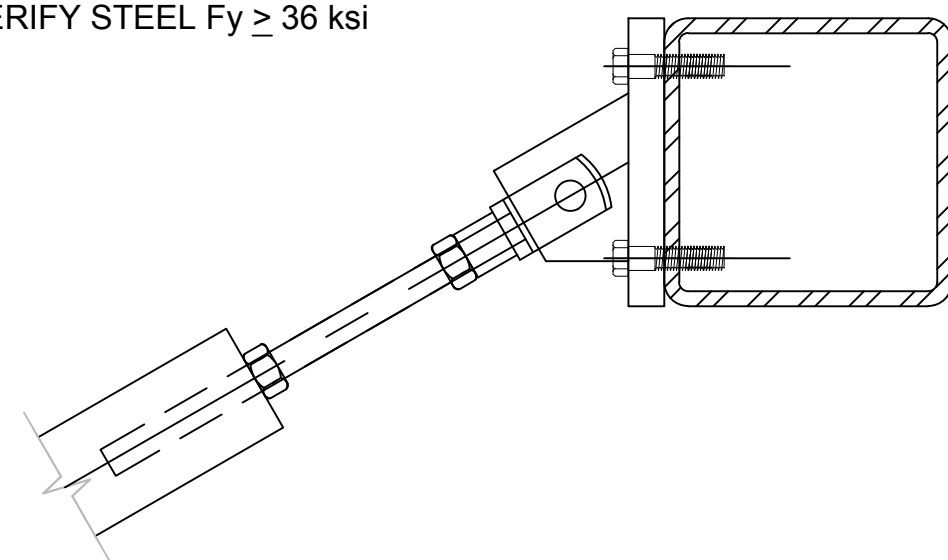


PLANVIEW

CONNECTION TO STEEL SUPPORT:

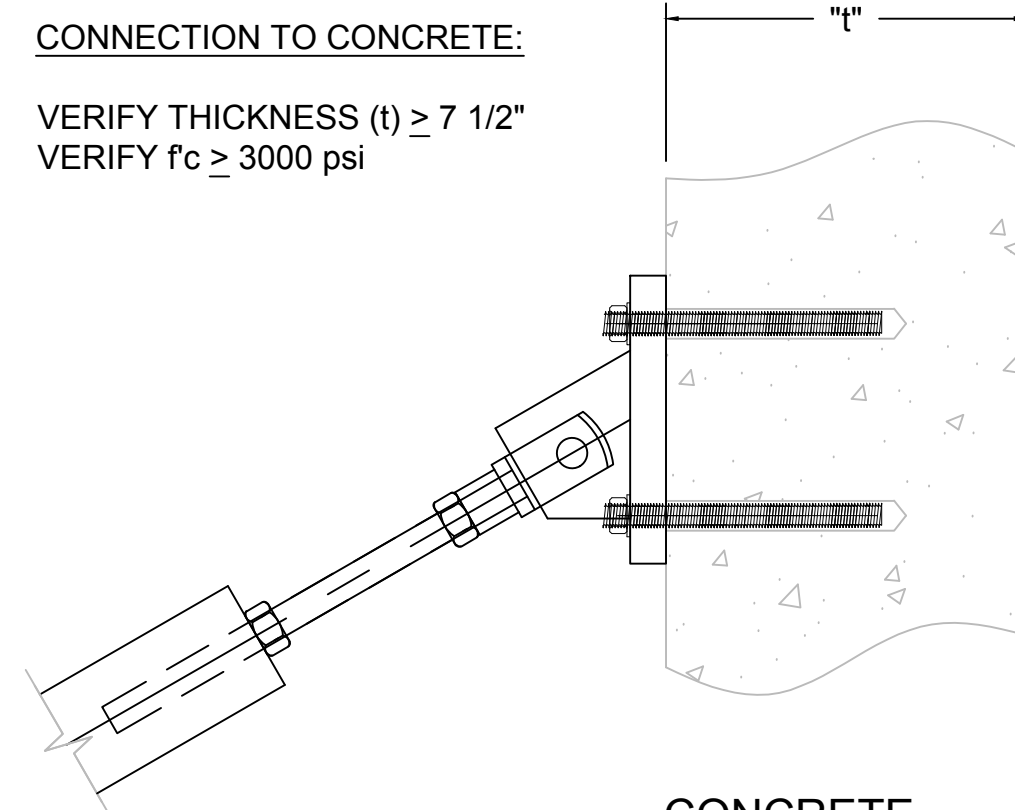
VERIFY THICKNESS $\geq 1/4"$
 VERIFY HEIGHT $\geq 6"$
 VERIFY STEEL $F_y \geq 36$ ksi



STEEL

CONNECTION TO CONCRETE:

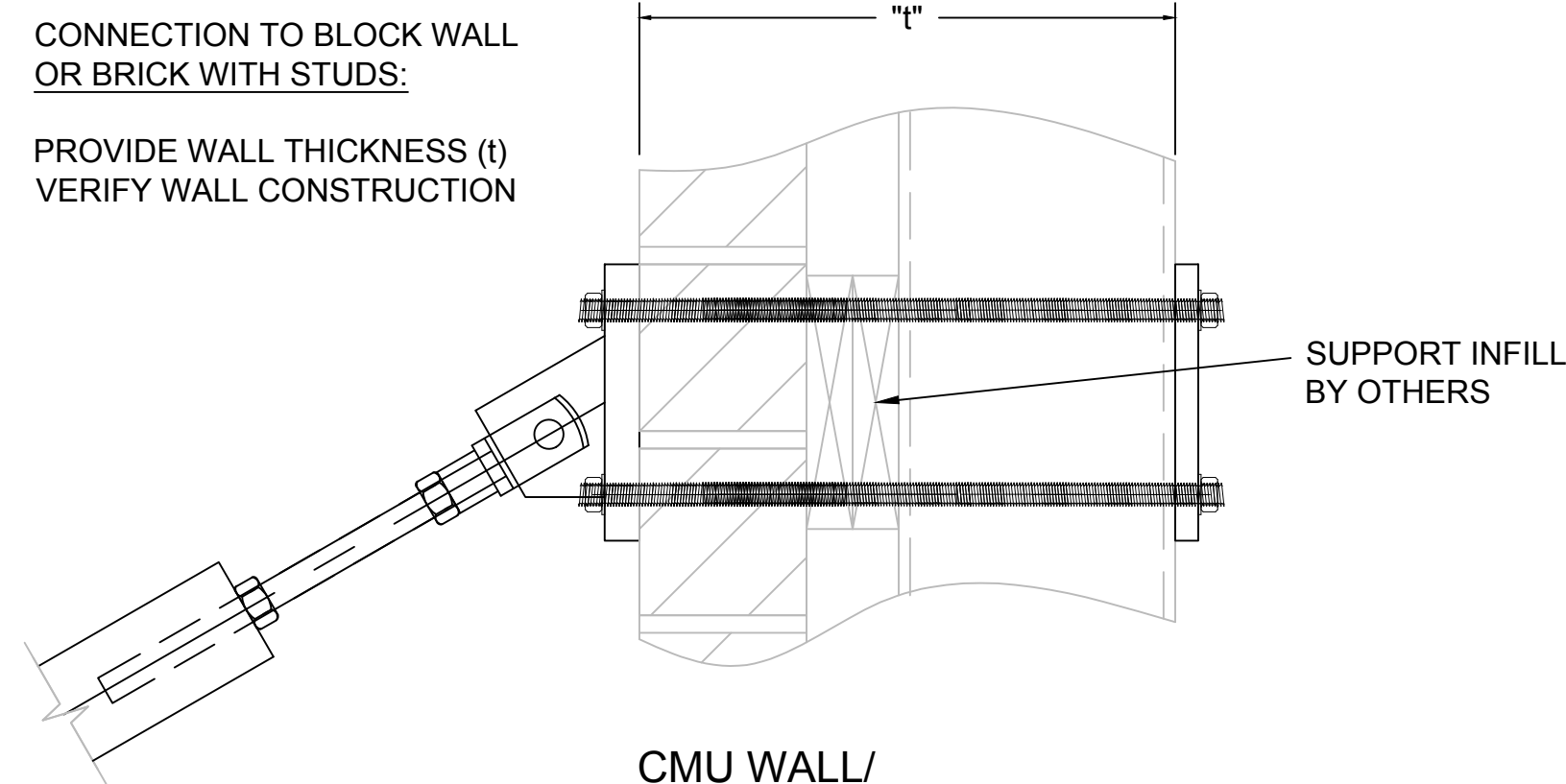
VERIFY THICKNESS (t) $\geq 7 1/2"$
 VERIFY $f_c \geq 3000$ psi



CONCRETE

CONNECTION TO BLOCK WALL OR BRICK WITH STUDS:

PROVIDE WALL THICKNESS (t)
 VERIFY WALL CONSTRUCTION



CMU WALL/
 BRICK WITH STUDS

SUPPORT INFILL
 BY OTHERS

NOTE:
 RECOMMENDED MINIMUM PITCH 2:12.
 FOR INSTALLATIONS REQUIRING A LESSER
 PITCH PLEASE CONTACT OUR ARCHITECTURAL
 SUPPORT DEPARTMENT

Details are subject to change and should be
 verified with our Architectural Support
 Department prior to implementation, please
 contact us at: support@cpidaylighting.com

SUSPENDED CANOPIES
 LITEBROW
 SINGLE SLOPE



28662 N. Ballard Drive
 Lake Forest, IL 60045 USA
 T: +1 847.816.1060
 F: +1 847.816.0475

Note

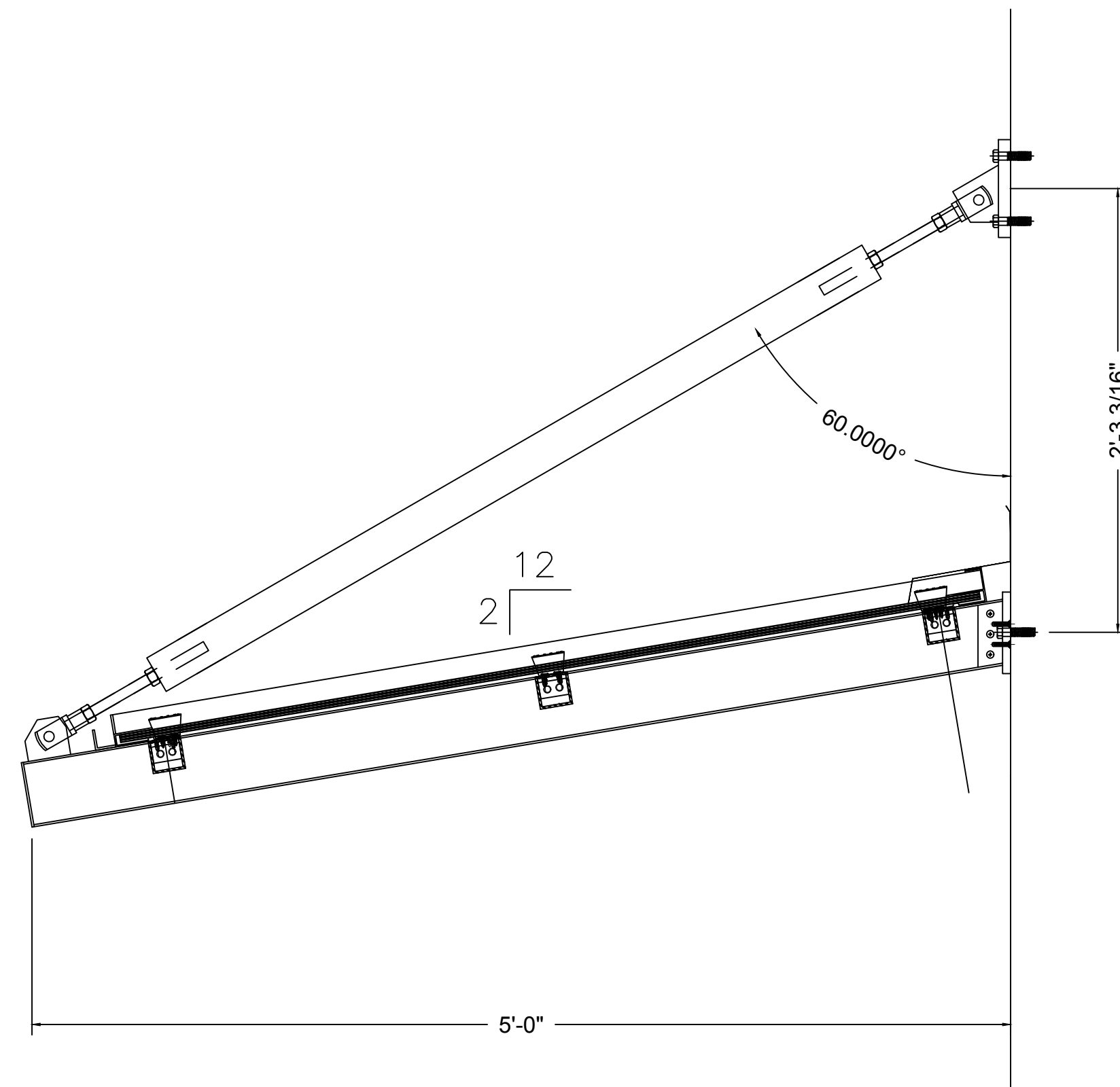
The standard details shown
 are for reference only.

Please contact our Architectural
 Support Department for job
 specific details and for
 information regarding the usage,
 limitations, and or code
 requirements pertaining to this
 product, please contact us at:

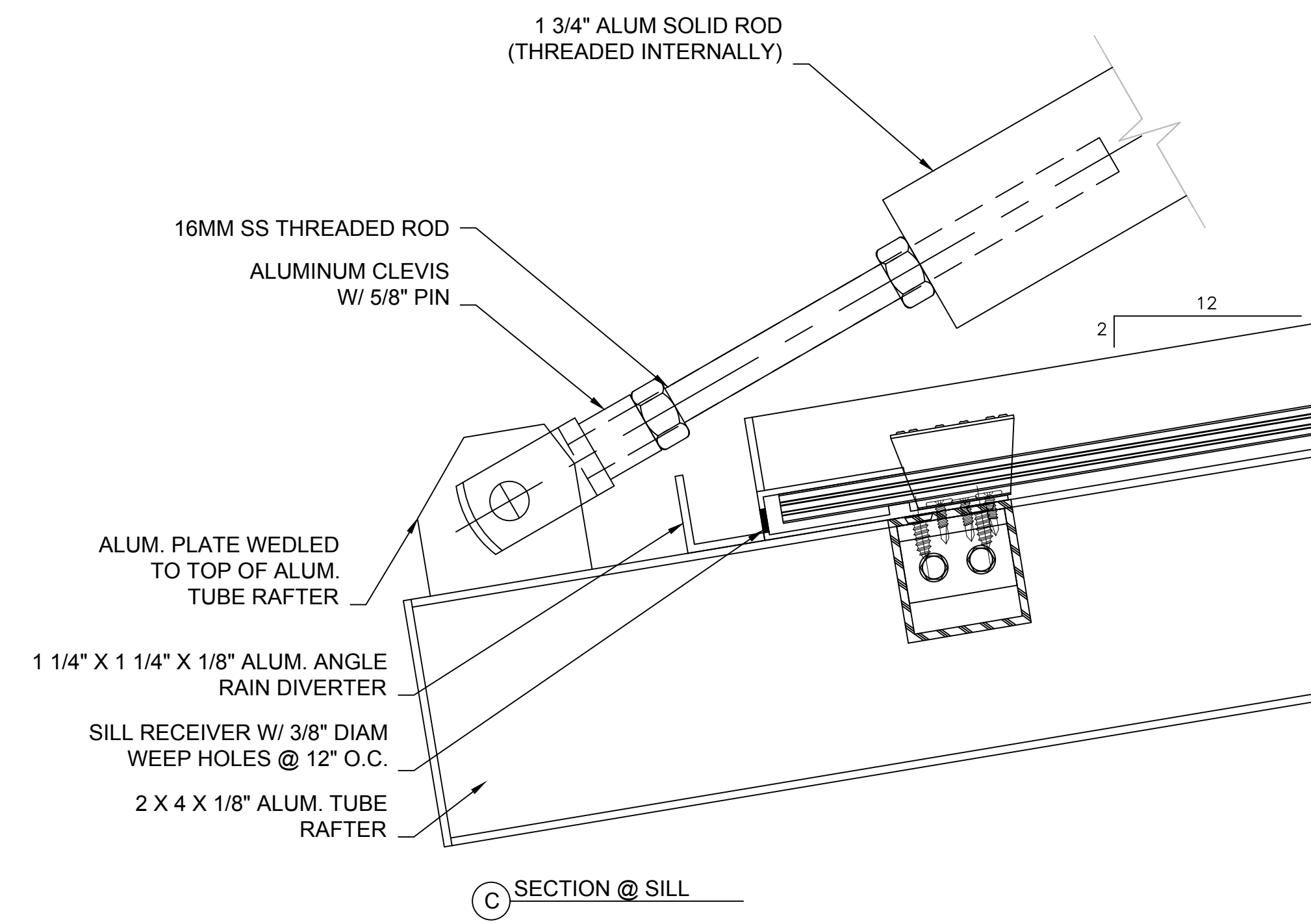
support@cpidaylighting.com

SHEET NO.

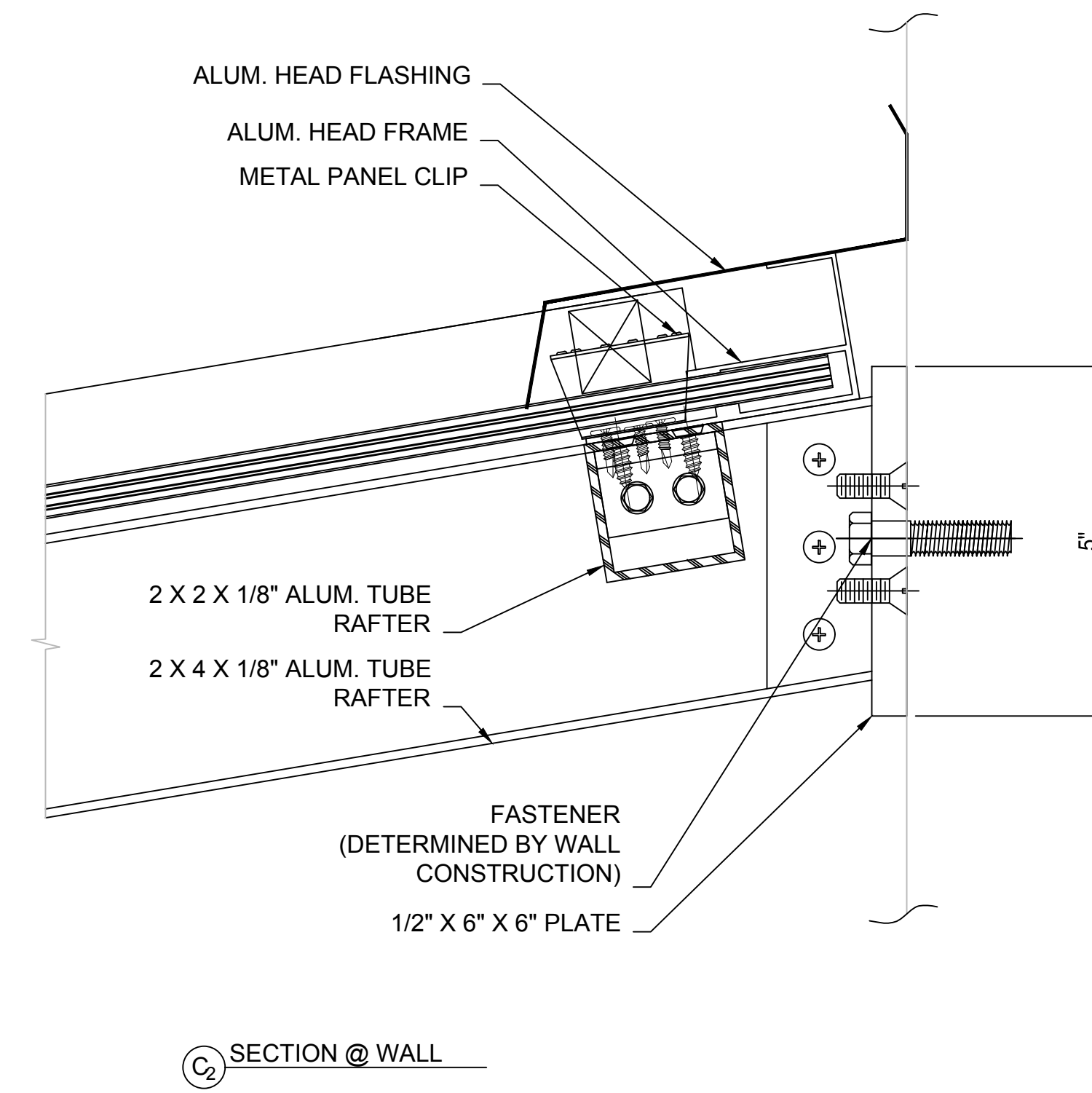
1 OF 3



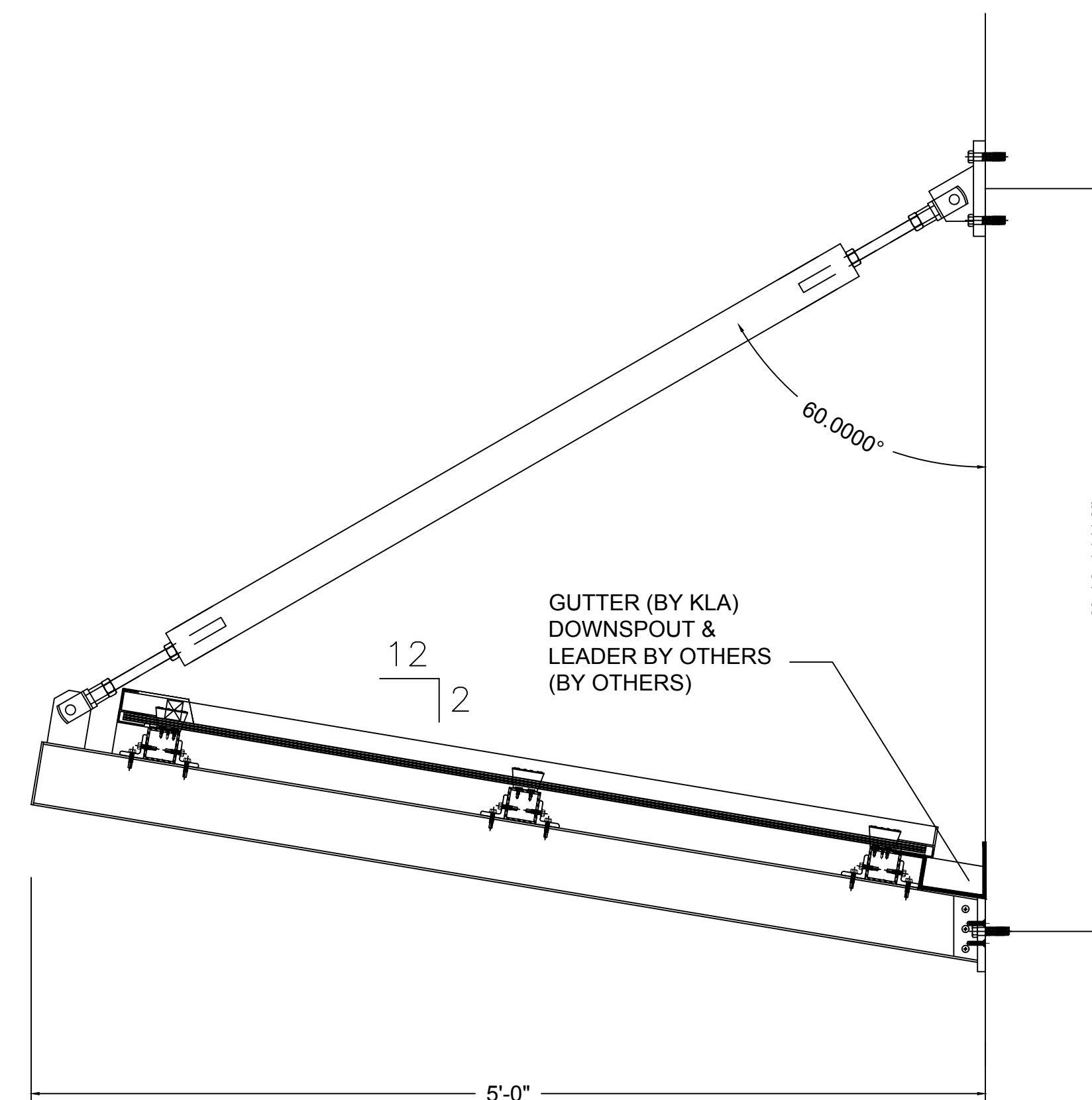
B SECTION-STANDARD MODEL



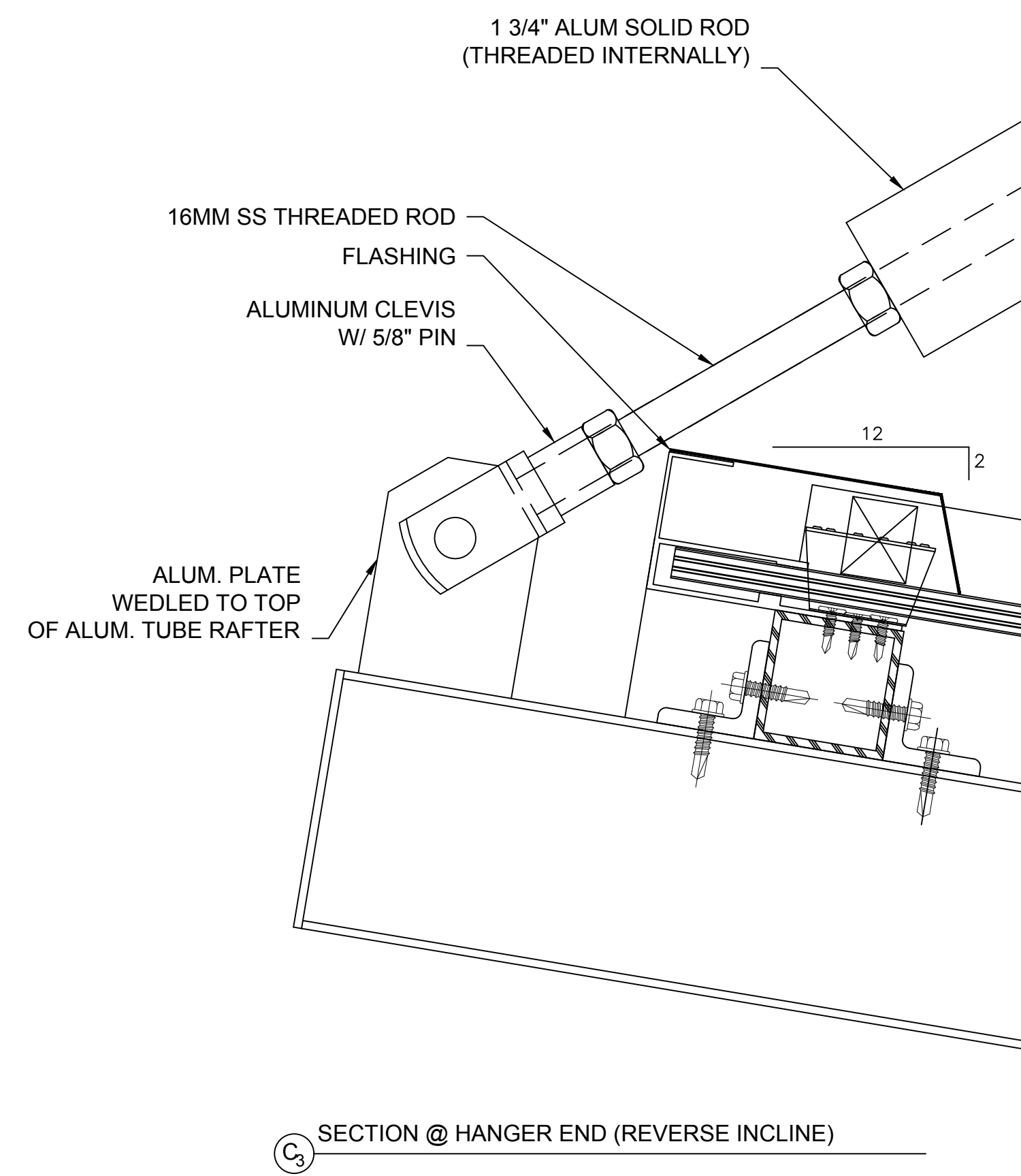
C SECTION @ SILL



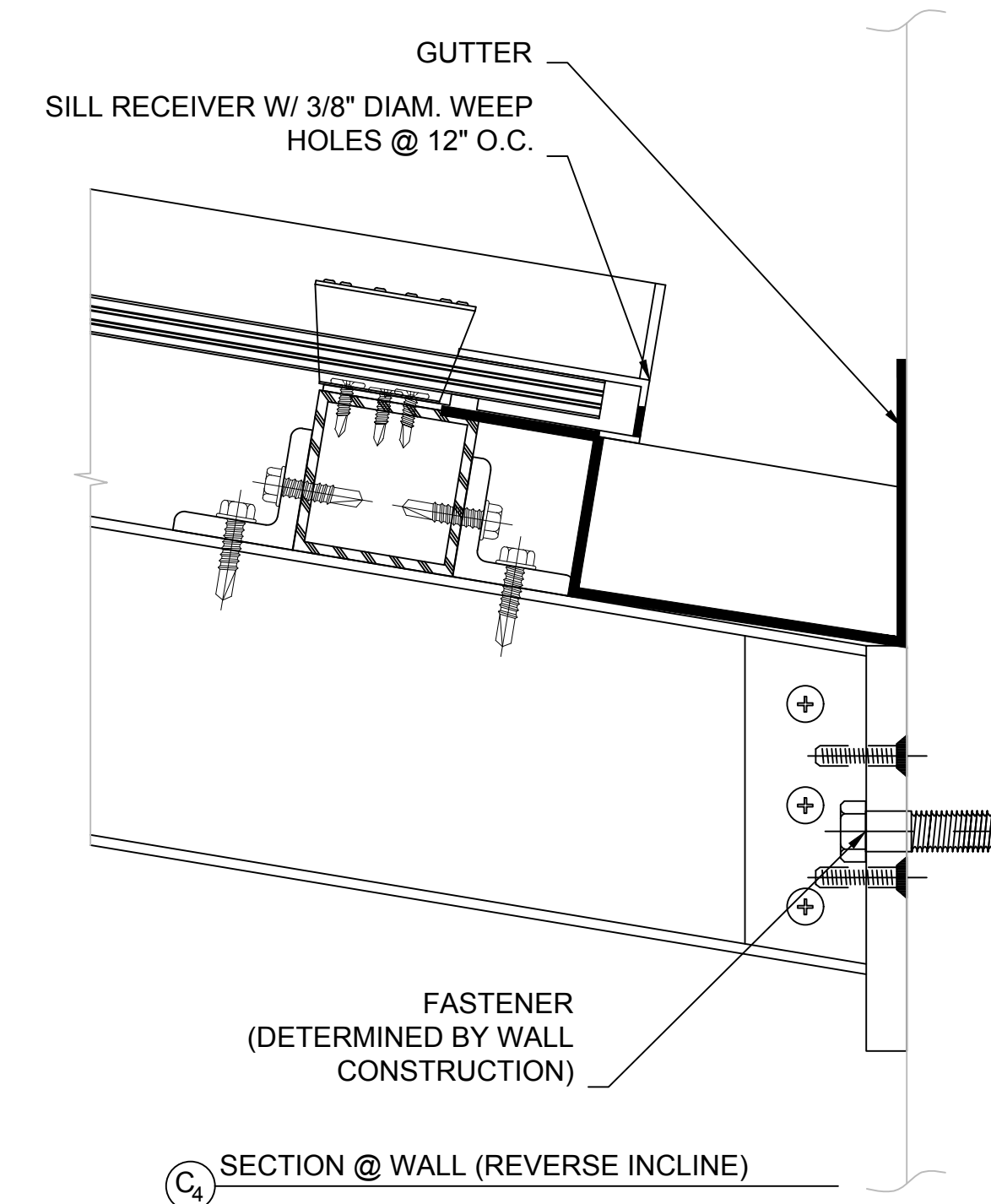
C2 SECTION @ WALL



B2 SECTION-REVERSE INCLINE



C3 SECTION @ HANGER END (REVERSE INCLINE)



C4 SECTION @ WALL (REVERSE INCLINE)

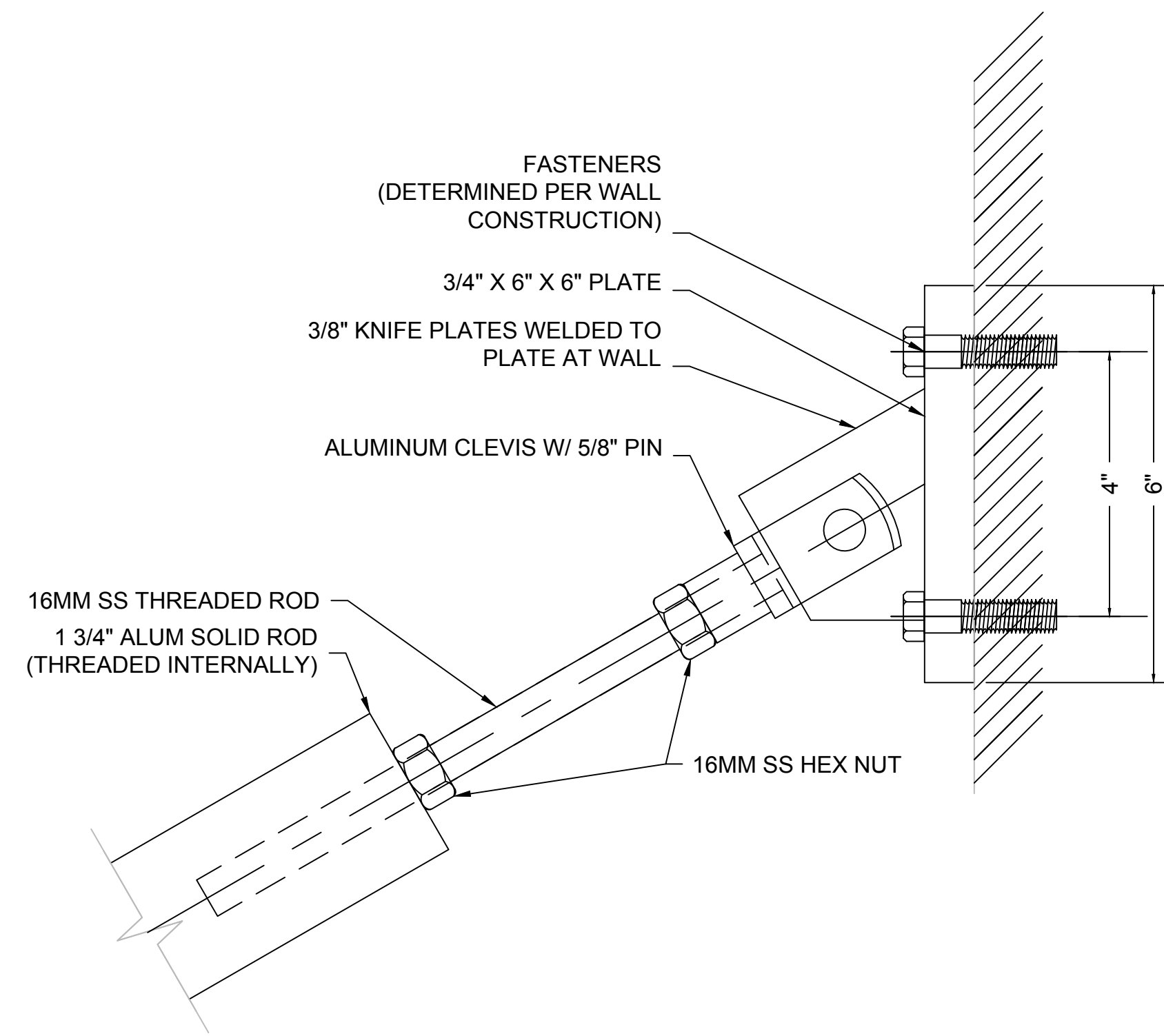
SUSPENDED CANOPIES
LITEBROW
SINGLE SLOPE



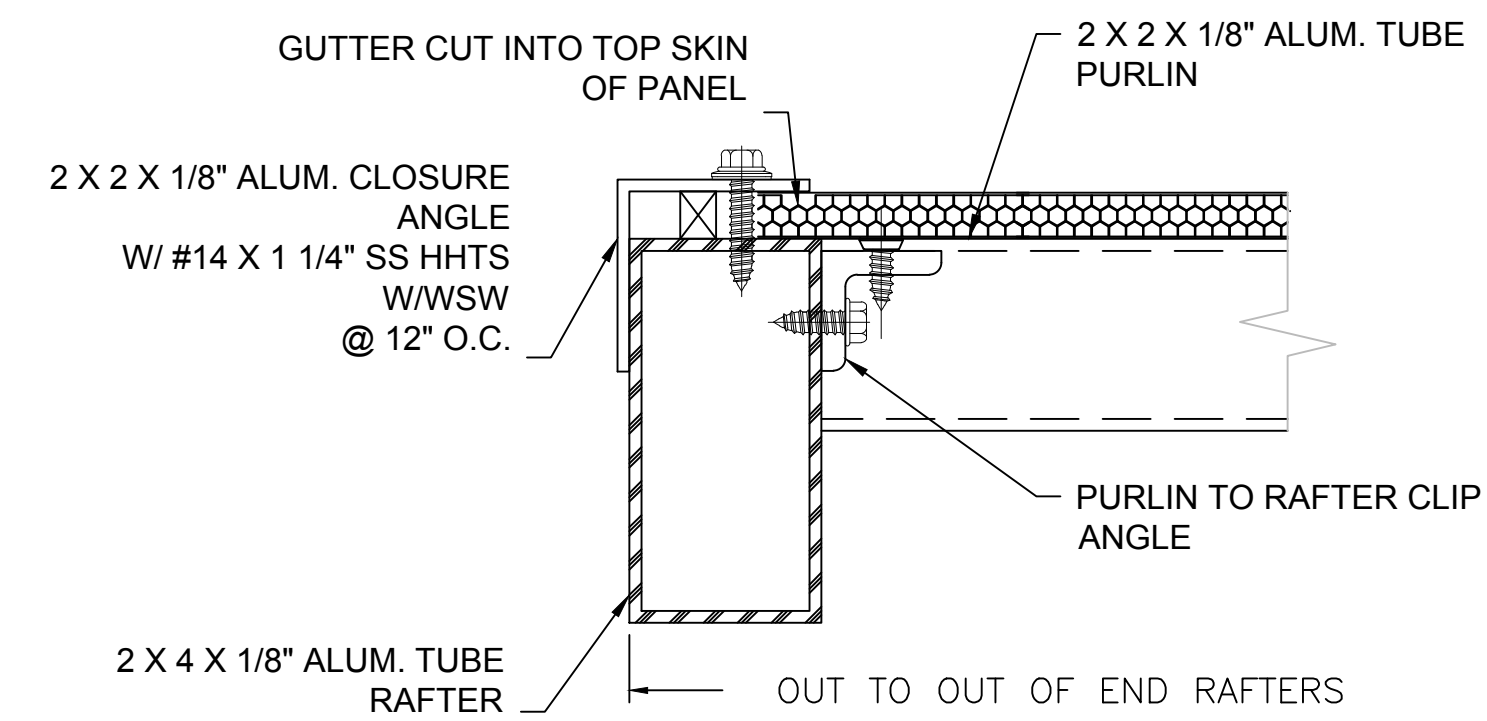
28662 N. Ballard Drive
Lake Forest, IL 60045 USA
T: +1 847.816.1060
F: +1 847.816.0475

Note
The standard details shown are for reference only.
Please contact our Architectural Support Department for job specific details and for information regarding the usage, limitations, and or code requirements pertaining to this product, please contact us at:
support@cpidaylighting.com

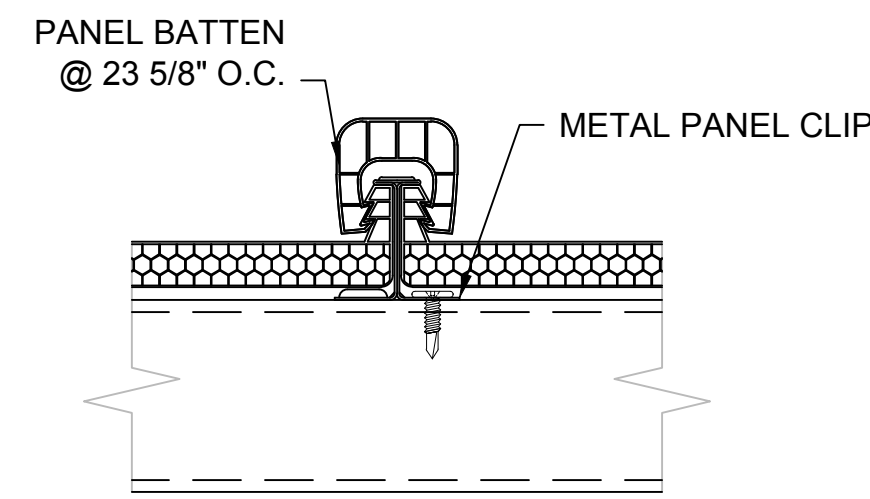
Details are subject to change and should be verified with our Architectural Support Department prior to implementation, please contact us at: support@cpidaylighting.com



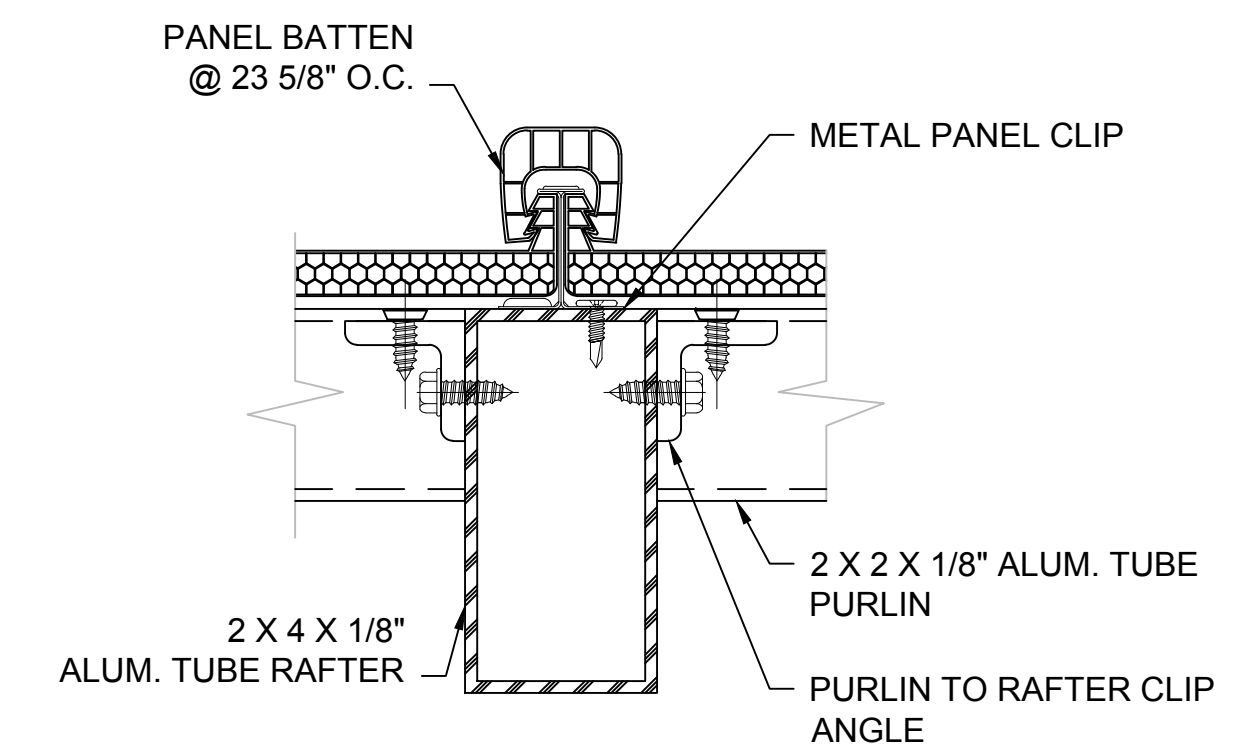
D SECTION @ HANGER CONNECTION



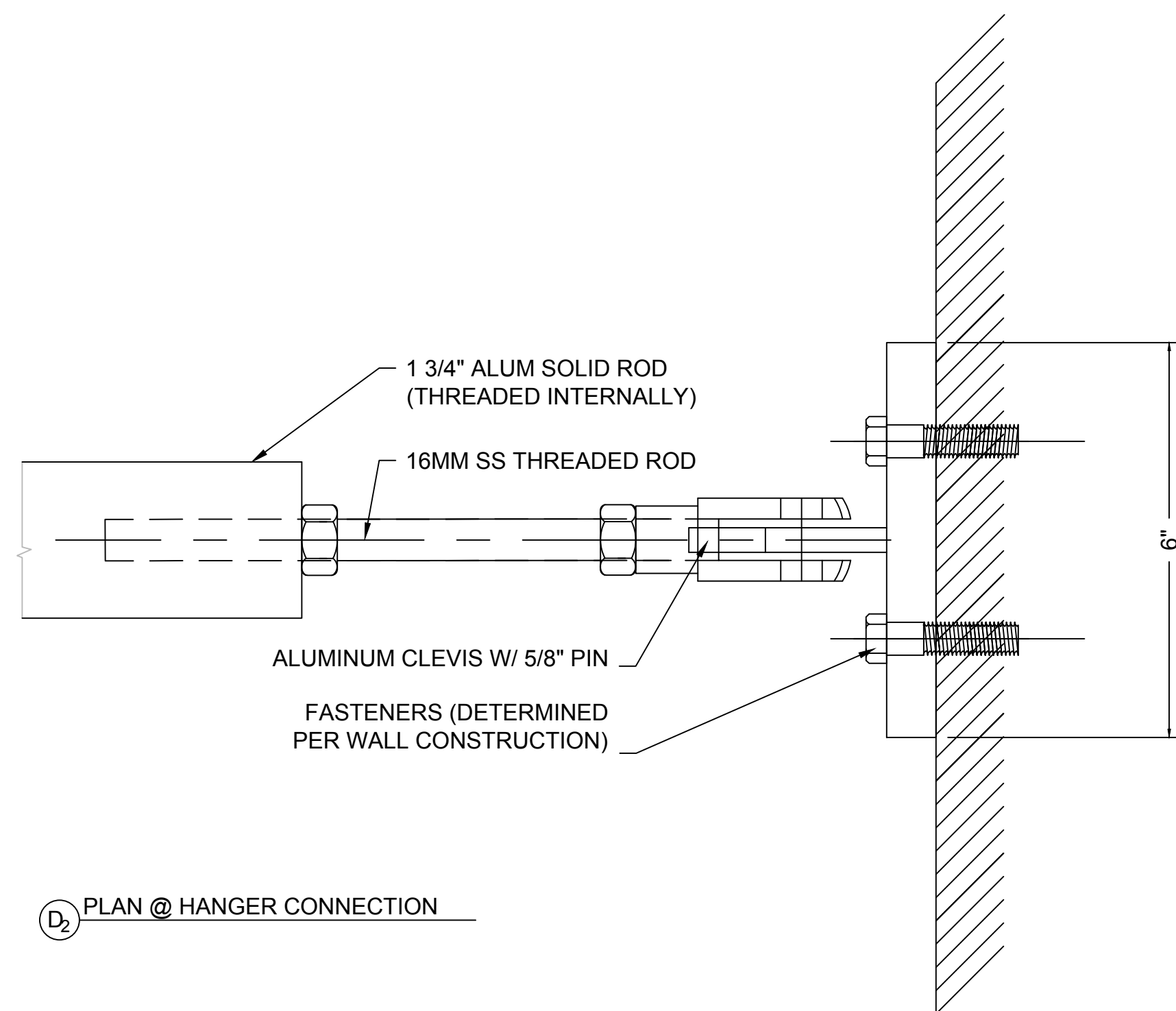
E DETAIL @ END RAFTER



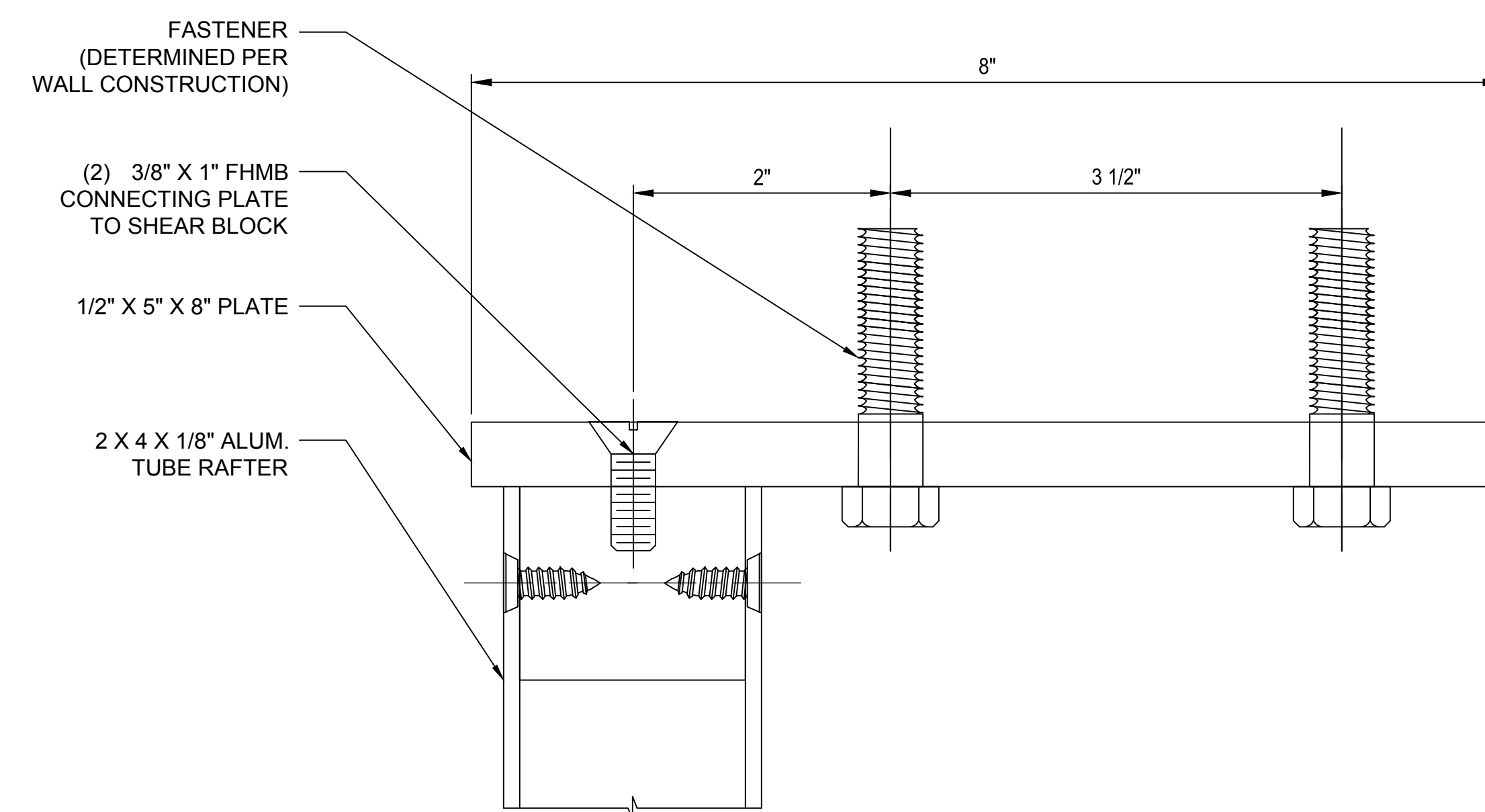
F DETAIL @ BATTEN



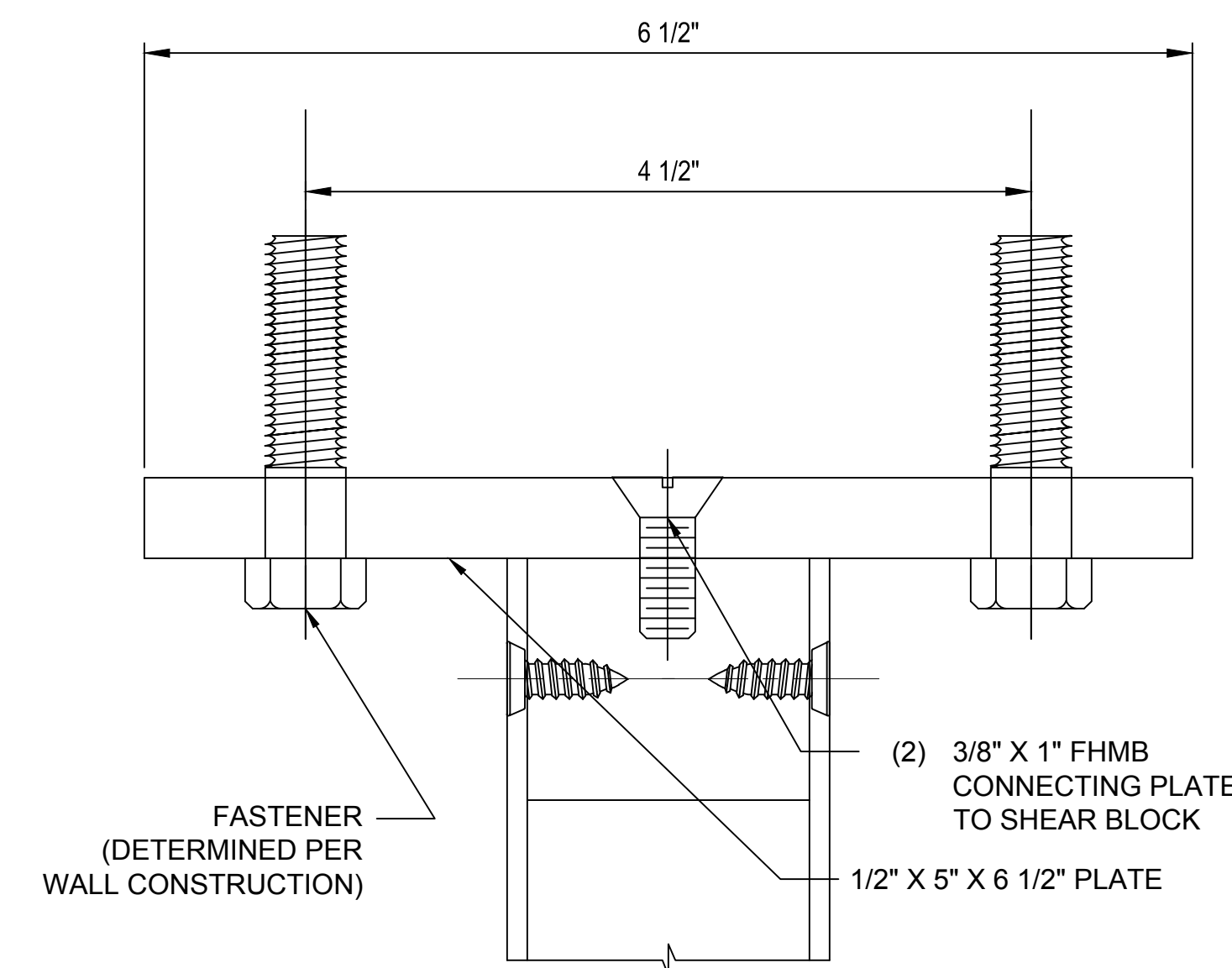
G DETAIL @ BATTEN



D2 PLAN @ HANGER CONNECTION



H PLAN @ BOTTOM CONNECTION (END)



I PLAN @ BOTTOM CONNECTION (MIDDLE)

Details are subject to change and should be verified with our Architectural Support Department prior to implementation, please contact us at: support@cpidaylighting.com

SUSPENDED CANOPIES
LITEBROW
SINGLE SLOPE



28662 N. Ballard Drive
Lake Forest, IL 60045 USA
T: +1 847.816.1060
F: +1 847.816.0475

Note
The standard details shown are for reference only. Please contact our Architectural Support Department for job specific details and for information regarding the usage, limitations, and or code requirements pertaining to this product, please contact us at: support@cpidaylighting.com