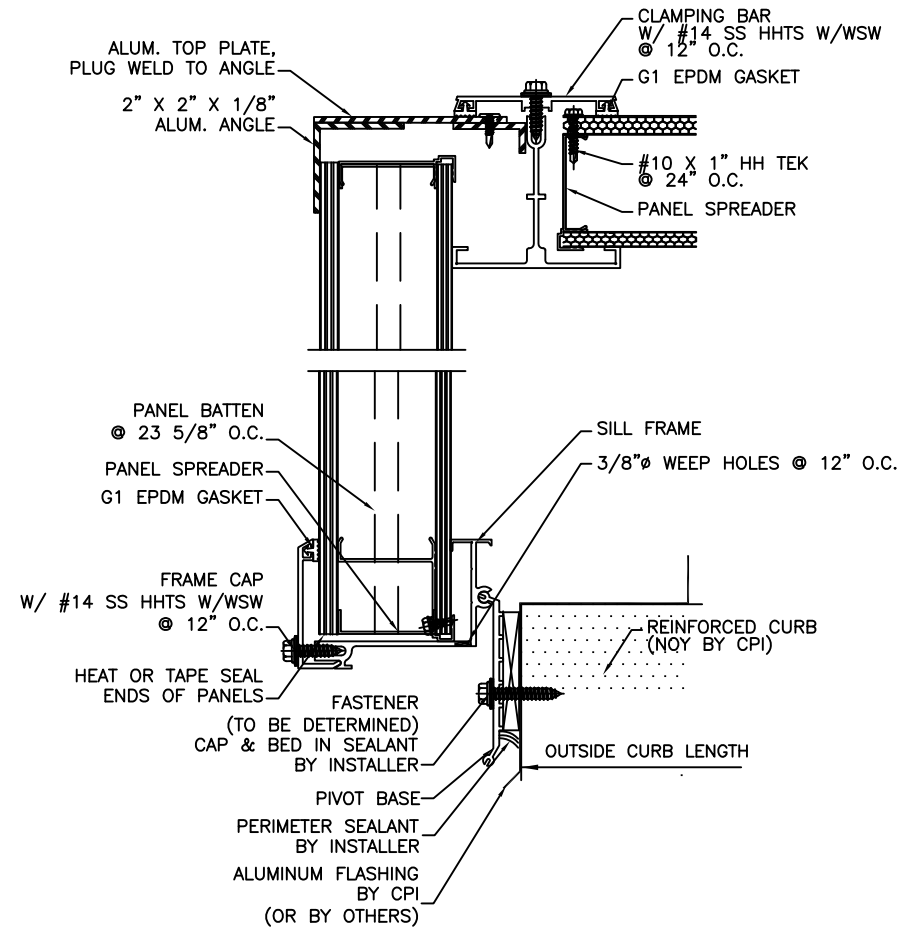
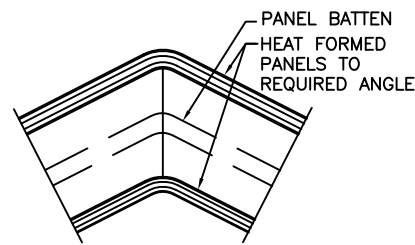


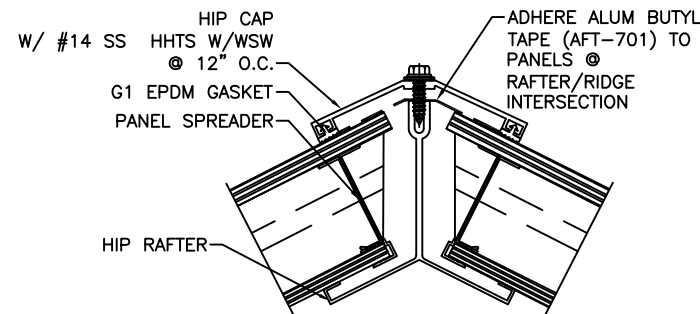
(A) SECTION @ SILL  
SCALE: HALF



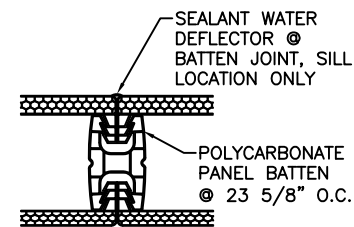
(B) SECTION @ GABLE END  
SCALE: QUARTER



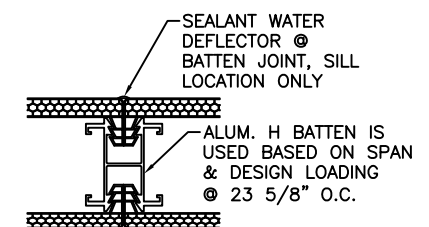
(C) SECTION @ RIDGE APEX  
SCALE: QUARTER



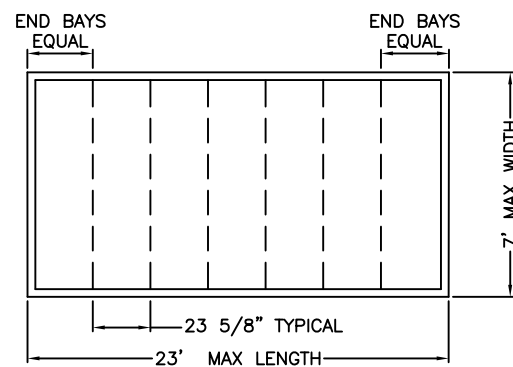
(D) SECTION @ PYRAMID HIP  
SCALE: QUARTER



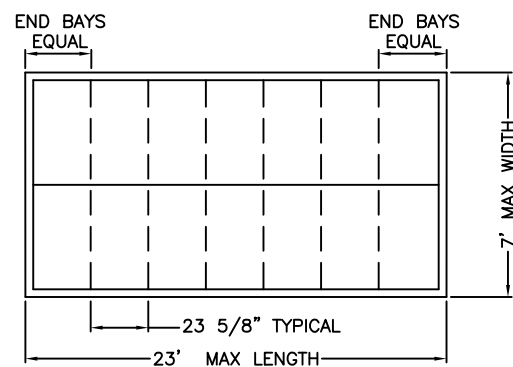
(E1) SECTION @ BATTEN  
SCALE: QUARTER  
2.75" QUADWALL PANEL



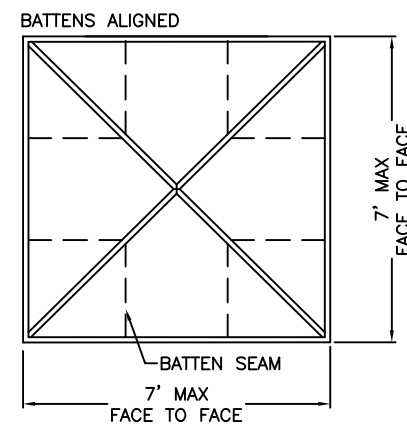
(E2) SECTION @ BATTEN  
SCALE: QUARTER  
2.75" QUADWALL PANEL



VAULT



RIDGE



PYRAMID

NOTE: SCALE OF DETAILS WILL BE ACCURATE ONLY WHEN PRINTED WITH 1:1 SCALING ON 11 X 17 PAPER

NOTE: BATTENS AND BAY LAYOUT ARE STANDARD BASED ON SPAN & DESIGN LOAD CONSIDERATIONS AND MAY NOT BE ALTERED.

ALL UNITS SHARE THESE DETAILS. SYSTEM IS SHOWN AS 2.75" QUADWALL PANEL THICKNESS.

# CPICRF™ Paint & Anodized Finishes

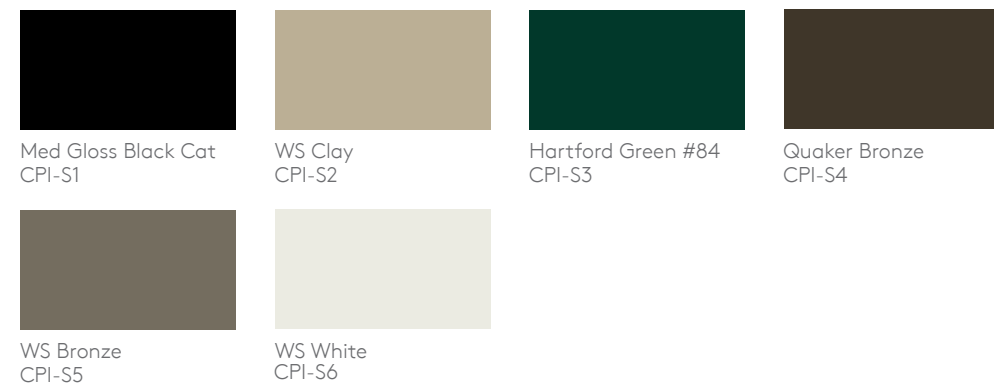
High Performance Architectural Coatings

CPICRF is a Corrosion Resistant Finish coating that includes Kynar®, Trinar®, or Hylar® fluoropolymer\* and TGIC Polyester resins.

## Standard Paint Finish Colors

### CPICRF | TGIC Polyester resin powder coating (AAMA 2603) ..... 1 or 5-year warranty

This economical and eco-friendly coating is available in a wide range of standard paint colors, and does not emit VOC gases into the atmosphere. CPICRF meets AAMA 2603 and comes with a 1-year standard warranty, or an optional 5-year extended warranty.



### CPICRF - Premium | Polymer resin powder coating (AAMA 2604) ..... 10-year warranty

This eco-friendly coating is available in a wide range of premium paint colors, and does not emit VOC gases into the atmosphere. CPICRF - Premium meets AAMA 2604 and comes with a 10-year standard warranty.



### CPICRF - Premium Plus (Kynar®) | 70% PVDF (AAMA 2605) ..... 10 or 20-year warranty

This 2-coat Kynar finish is available in a variety of premium paint colors. CPICRF - Premium Plus meets AAMA 2605 and comes with a 10-year standard warranty, or an optional 20-year extended warranty.



## Anodized Finishes

### CPI Anodized Finishes | Class II (204), Class I (215), and color ..... 1 or 5-year warranty

CPI Daylighting offers anodized finishes - Clear Anodized and Dark Bronze Anodized. The anodized finish comes with a 1-year standard warranty with an option for a 5-year extended warranty.

The colors shown are not exact and may vary slightly from the actual colors - Physical samples on aluminum substrates are available for final color selection. For exact colors, please contact us at 1.800.759.6985 to order color samples. Slight color variation can be expected in production. Color options are also subject to change. Please contact CPI Daylighting to confirm availability.

\*Kynar® is a registered trademark of Arkema - Trinar® is a registered trademark of AkzoNobel - Hylar® is a registered trademark of Solvay