

GENERAL NOTES:

CPI WILL MAKE ALL FURTHER DESIGN DECISIONS BASED UPON THE INFORMATION PROVIDED ON THIS FORM. ALL ELEMENTS WILL BE SYMMETRICAL WITHIN THE UNIT AND CPI STANDARD VALUES WILL BE USED THROUGHOUT.

ALL EXTRUDED ALUMINUM FRAMING MEMBERS SHALL BE OF A 6063-T6 OR 6005-T5 ALLOY AND TEMPER.

ALL FASTENERS SHALL BE OF A NON-CORRODING MATERIAL.

CURB FASTENERS WILL BE DETERMINED BY CURB CONSTRUCTION (WOOD, STEEL)

ONE (1) PART SILICONE SEALANT, DOW CORNING SERIES #999 TO BE USED WHERE SHOWN.

THE SUPPORT CURBS SHALL BE DESIGNED AND CONSTRUCTED BY OTHERS TO RESIST LOADS IMPOSED BY THE SKYLIGHT. SEE CURB LOAD INFORMATION ON FOLLOWING SHEETS.

UNITS ARE SHIPPED FULLY PRE-ASSEMBLED. SHOP DRAWINGS FOR INSTALLATION SHIP WITH UNITS.

ALL UNITS WILL HAVE A STANDARD 21% RISE.

TEST REPORT CERTIFICATION:

CPI CERTIFIES THAT THE GLAZING PANELS MEET THE FOLLOWING STANDARDS.

TEST DESCRIPTION	TEST STANDARD	RESULTS	CPI REPORT #
EVALUATION REPORT	IBC	IBC EVALUATION REPORT #4798	111
CODE CLASSIFICATION	IBC CHAPTER 26	APPROVED LIGHT TRANSMITTING PLASTICS, CC1 RATING	
FLAMABILITY			
SELF IGNITION	ASTM 1929-3	1058F	211
SMOKE DENSITY OF PLASTIC	ASTM D2843	54%	210
BURN EXTENT	ASTM D635	CC1 RATING - LESS THAN 1.0" BURN EXTENT	
INTERIOR FLAME SPREAD & SMOKE DEVELOPMENT	ASTM E84	CLASS A FLAME SPREAD & SMOKE DEVELOPMENT RATING - FLAME SPREAD INDEX LESS THAN 25	213A, 214 215
WEATHERING			
COLOR CHANGE	ASTM D2244	NO MORE THAN 4 UNITS DELTA E AFTER 60 MONTHS	411, 412
WEATHERING	ASTM D4364 & E903	TOTAL SOLAR TRANSMITTANCE, 60 MONTHS	410
LIGHT TRANSMISSION	ASTM D1003	SHALL NOT DECREASE MORE THAN 6% AFTER 10YRS	413
HEAT EXPOSURE	300F - 25MIN	HEAT EXPOSURE EVALUATION STANDARD PASSED	411
WATER PENETRATION	ASTM E331	NO PENETRATION OF U CONNECTORS AT 6.24PSF	322
FIELD TEST WATER PENETRATION	AAMA 501.2	NO PENETRATION	
IMPACT RESISTANCE	SPI METHOD B	220 FT-LBS	513B
LARGE MISSILE CANNON TEST	ASTM E1886/E1996	WITHSTANDS LARGE MISSILE IMPACT OF 350 FT-LBS	512A
OSHA - POINT LOAD	29 CFR 1910.23	300 LB POINT LOAD WITH NO DAMAGE	515
OSHA - FALL / WALK THROUGH	ASTM E695-03	500 FT-LBS	512A
U FACTOR	PER NFRC 100	CENTER OF GLASS, 12MM/16MM	310A, 310C

ICC-ES Evaluation Report

ESR-1253

www.icc-es.org | (800) 423-6587 | (562) 699-0543 A Subsidiary of the International Code Council®

DIVISION: 08 00 00—OPENINGS
Section: 08 84 00—Plastic Glazing

REPORT HOLDER:

CPI DAYLIGHTING, INC.
28662 NORTH BALLARD DRIVE
LAKE FOREST, ILLINOIS 60045
(847) 816-1060
www.cpidaylighting.com

EVALUATION SUBJECT

QUADWALL, UNIQUAD, PENTAGLAS, DUALWALL AND U-LITE PANELS

1.0 EVALUATION SCOPE

Compliance with the following codes:

- 2012, 2009 and 2006 International Building Code® (IBC)
- 2013 Abu Dhabi International Building Code (ADIBC)¹

¹The ADIBC is based on the 2009 IBC. 2009 IBC code sections referenced in this report are the same sections in the ADIBC.

Property evaluated:

Light-transmitting plastics

2.0 USES

The Quadwall, UniQuad, Pentaglas, Dualwall and U-Lite panels described in this report comply with the requirements for light-transmitting plastics in 2012, 2009 and 2006 IBC Section 2606.4. End use of the panels is outside the scope of this report, thereby requiring that compliance with the IBC requirements applicable to the end use (such as, but not limited to, structural and durability performance) be demonstrated to the code official.

3.0 DESCRIPTION

The Quadwall, UniQuad, Pentaglas, Dualwall and U-Lite translucent polycarbonate panels recognized in this report are light-transmitting plastics complying with IBC Section 2606.4, and have a CC1 plastic combustibility classification. The panels are available in up to a 45.3-foot (13 800 mm) length and in various widths, thicknesses and configurations. See Table 1 and Figure

1 for size and configuration details. As shown in Table 1 and Figure 1, the 8- and 10-millimeter-thick Quadwall, UniQuad, and Pentaglas panels are identical panels, except for the product name.

4.0 INSTALLATION

Use of the Quadwall, UniQuad, Pentaglas, Dualwall and U-Lite panels recognized in this report is limited to applications permitted by the IBC for light-transmitting plastics. The manufacturer's published installation instructions and this report must be strictly adhered to.

5.0 CONDITIONS OF USE

The Quadwall, UniQuad, Pentaglas, Dualwall and U-Lite panels described in this report comply with, or are suitable alternatives to what is specified in, those codes indicated in Section 1.0 of this report, subject to the following conditions:

5.1 The panels are manufactured, installed and identified as called for in this report, the IBC and the manufacturer's published installation instructions. In the event of a conflict between this report and the manufacturer's published installation instructions, this report governs.

5.2 End use of the panels requires justification of compliance with appropriate code requirements, including installation, structural, impact and durability considerations.

6.0 EVIDENCE SUBMITTED

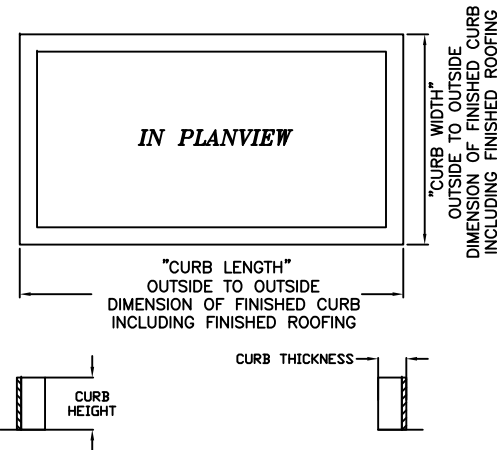
6.1 Reports of tests in accordance with ASTM D1929, ASTM D2843, ASTM D635, and ASTM E84.

6.2 Quality documentation.

7.0 IDENTIFICATION

The panels are identified with a label bearing the manufacturer's name (CPI Daylighting), the product name (Quadwall, UniQuad, Pentaglas, Dualwall or U-Lite), the CC1 plastic classification and the evaluation report number (ESR-1253).

CURB TERMINOLOGY:



THE INFORMATION CONTAINED ON THESE PAGES IS THE SOLE PROPERTY OF CPI DAYLIGHTING, INC. AND CAN NOT BE COPIED OR USED IN ANY WAY WITHOUT THE EXPRESS WRITTEN AUTHORIZATION OF CPI DAYLIGHTING, INC.

CPI DAYLIGHTING, INC. IS ENGAGED IN CONTINUING RESEARCH TO IMPROVE ITS PRODUCTS. THEREFORE, THE RIGHT IS RESERVED TO MODIFY OR CHANGE MATERIAL AND DETAILS FOUND IN THIS MANUAL. THIS IS INFORMATIVE INFORMATION AND DOES NOT CONSTITUTE WARRANTIES, EXPRESSED OR IMPLIED.

TOPLITE - SKYLIGHTS - MEGASKY
FULLY PRE-ASSEMBLED UNITS, STANDARD SIZES

- DATA ENTRY FORM -

① SKYLIGHT SIZE: MEGASKY IS ONLY AVAILABLE IN THE FOLLOWING STANDARD SIZES

NOMINAL UNIT SIZE:	OUT TO OUT FINISHED CURB DIMENSION:
<input type="checkbox"/> 4' WIDE X 10' LONG	48" WIDE X 117 5/8" LONG
<input type="checkbox"/> 4' WIDE X 12' LONG	48" WIDE X 141 1/8" LONG
<input type="checkbox"/> 4' WIDE X 14' LONG	48" WIDE X 164 5/8" LONG
<input type="checkbox"/> 5' WIDE X 10' LONG	60" WIDE X 117 5/8" LONG
<input type="checkbox"/> 5' WIDE X 12' LONG	60" WIDE X 141 1/8" LONG
<input type="checkbox"/> 5' WIDE X 14' LONG	60" WIDE X 164 5/8" LONG

② GLAZING COLOR (12MM EXTERIOR / 8MM DIFFUSER):

- CLEAR / CLEAR MATTE
- ICE WHITE / ICE WHITE MATTE

GLAZING	DIFFUSER	LT %	SHGC	U-VALUE
CLEAR	CLEAR MATTE	52	0.417	0.24
ICE WHITE	ICE WHITE MATTE	38	0.348	0.24

③ ALUMINUM FINISH:

- MILL

④ QUANTITY OF IDENTICAL UNITS:

- QTY.
- _____ 4' WIDE X 10' LONG
 - _____ 4' WIDE X 12' LONG
 - _____ 4' WIDE X 14' LONG
 - _____ 5' WIDE X 10' LONG
 - _____ 5' WIDE X 12' LONG
 - _____ 5' WIDE X 14' LONG

⑤

AUTHORIZATION TO PROCEED:

- THIS PAGE DEFINES ALL SPECIFICATIONS FOR THIS SKYLIGHT ORDER - I HAVE NO FURTHER SPECIFICATIONS OR REQUIREMENTS.

CPI QUOTE #: _____ ITEM #: _____

PROJECT NAME: _____

COMPANY: _____

SIGNATURE: _____

AUTHORIZED SIGNER: (PLEASE PRINT) _____

DATE: _____

NOTE: COMPLETE JOB INFO SHEET REQUIRED BEFORE RELEASE TO FABRICATION.

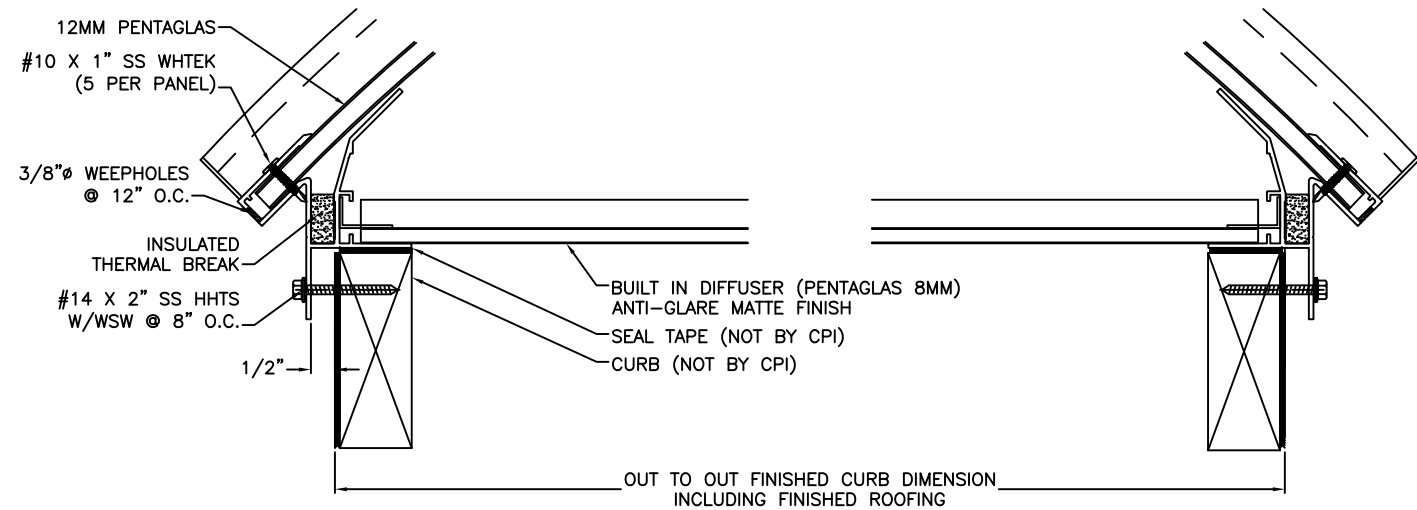
TESTED AT 90PSF LIVE LOAD AND 200PSF WIND (UPLIFT)

DIRECT 2 FAB

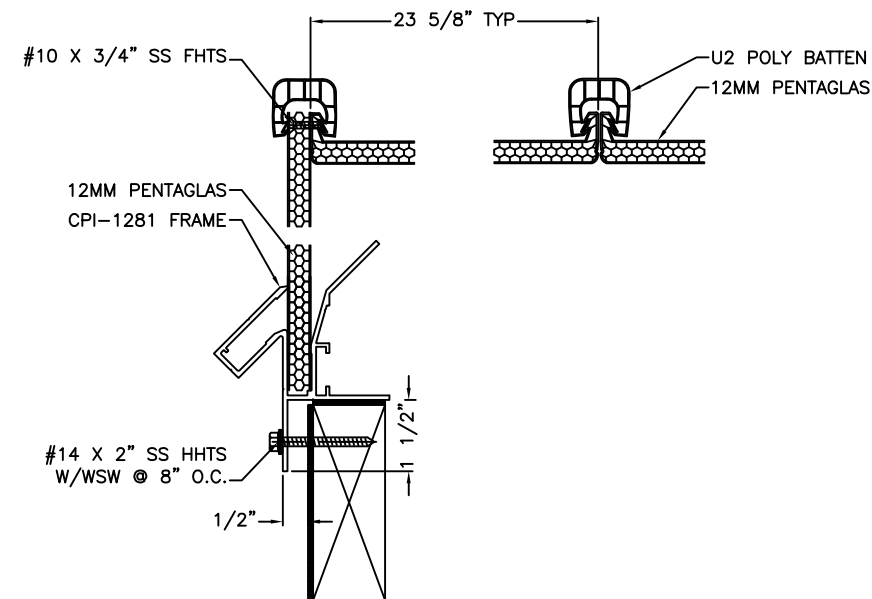
SUBMITTAL PACKAGE
FULLY PRE-ASSEMBLED UNITS, STANDARD SIZES
TOPLITE-SKYLIGHTS-MEGASKY
GENERAL NOTES, TECHNICAL DATA
"DIRECTLY FROM ORDER ENTRY TO FABRICATION FLOOR"

CPI Daylighting
Building Envelope Solutions

Kingspan
Light+Air

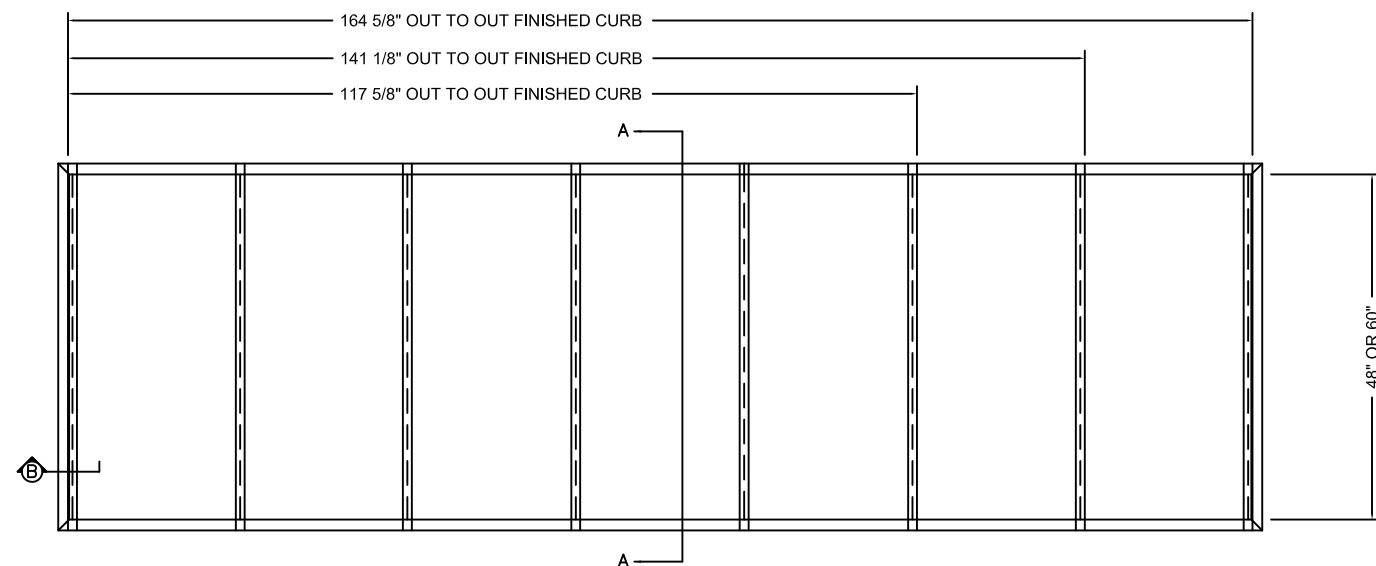


(A) CROSS SECTION
SCALE: QUARTER



(B) DETAIL @ GABLE END
SCALE: QUARTER

NOTE: SCALE OF DETAILS WILL BE ACCURATE ONLY WHEN PRINTED WITH 1:1 SCALING ON 11 X 17 PAPER



(C) PLANVIEW
SCALE: NTS