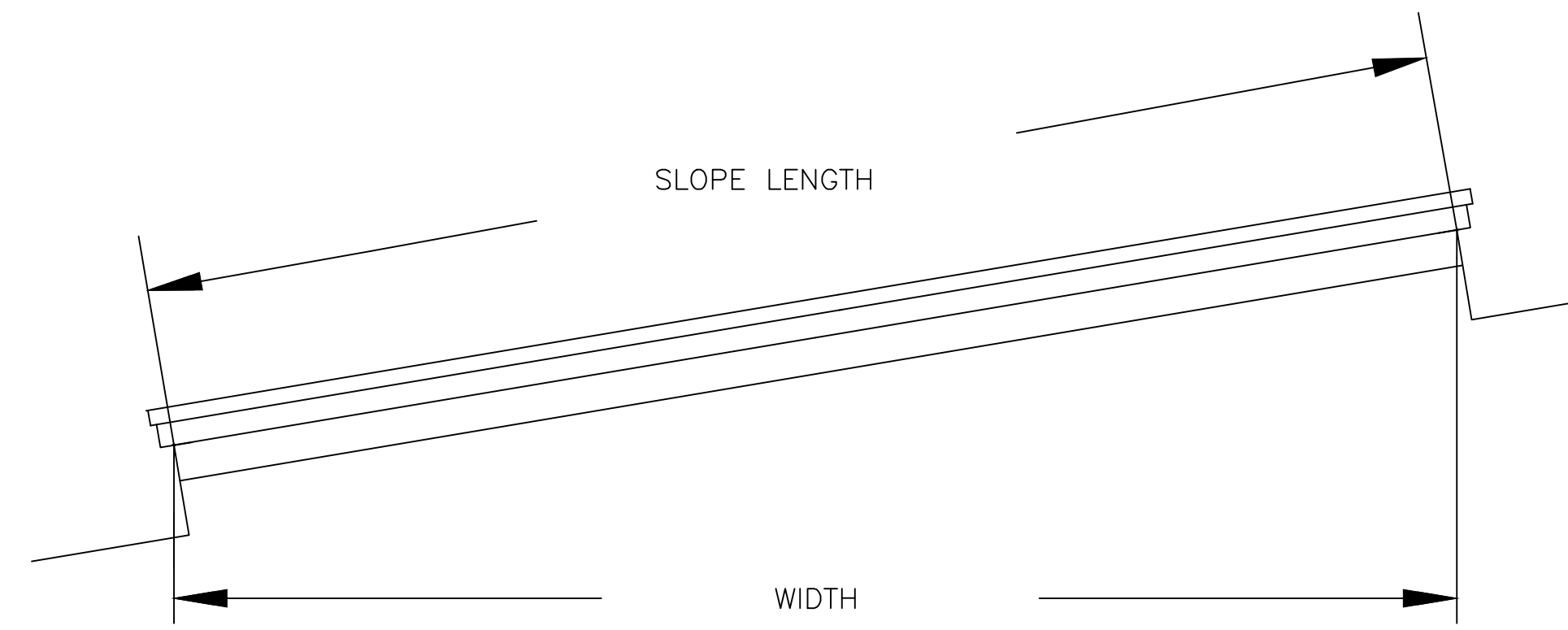
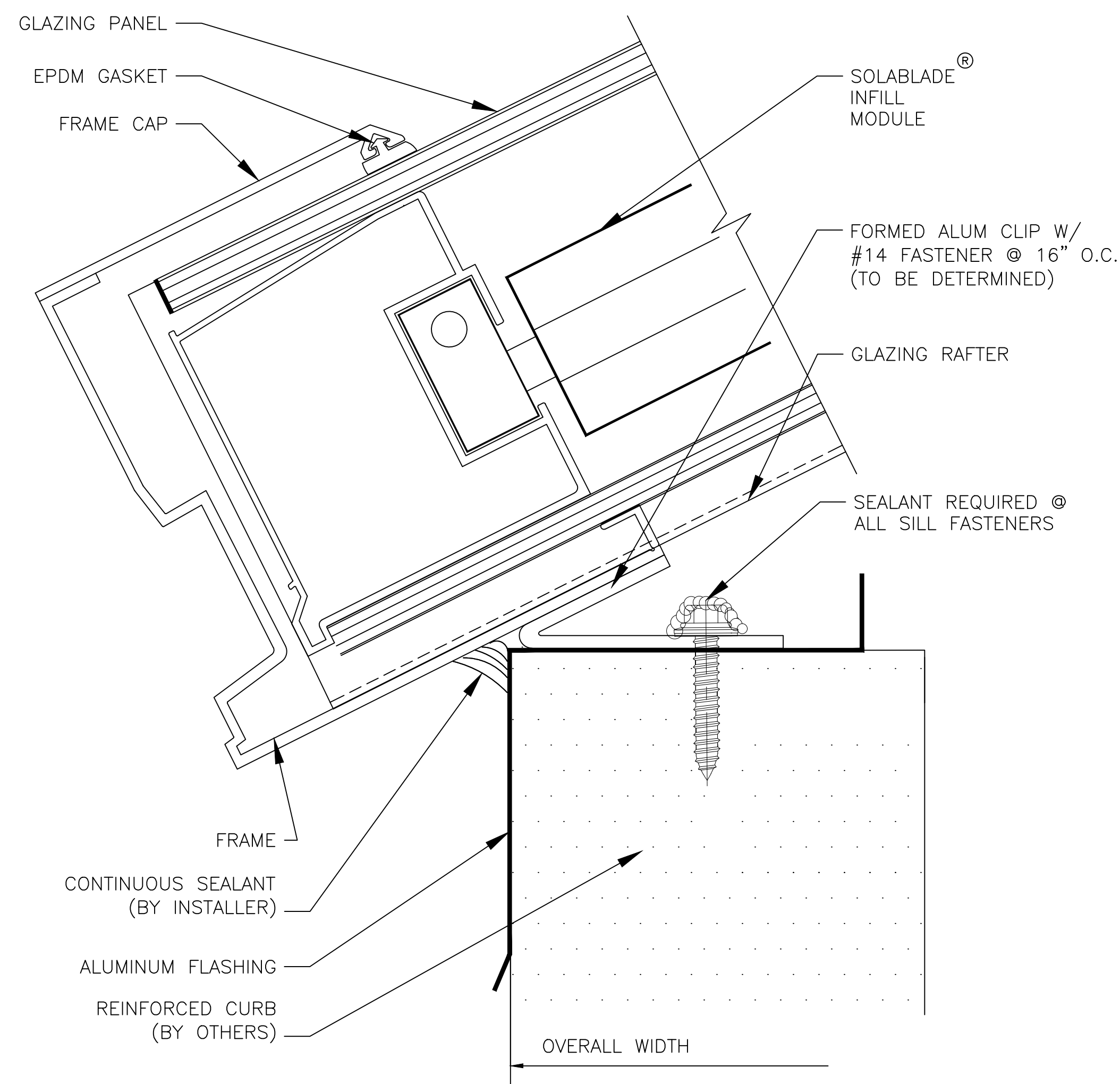


PLAN VIEW

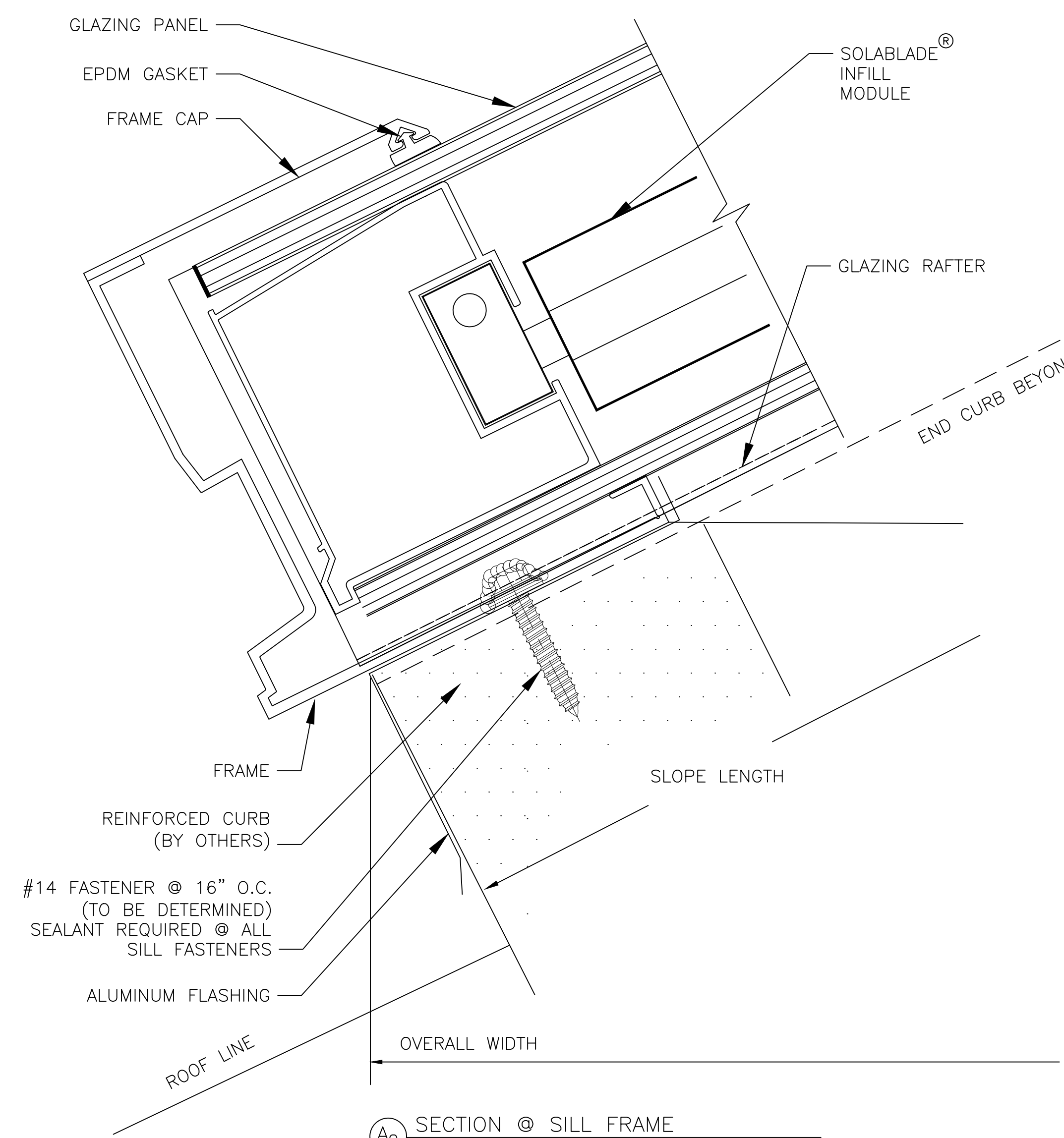


(OPTIONAL DIMENSION)
SINGLE SLOPE SECTION

NOTE:
RECOMMENDED MINIMUM PITCH 3:12.
FOR INSTALLATIONS REQUIRING A LESSER
PITCH PLEASE CONTACT OUR
ARCHITECTURAL SUPPORT DEPARTMENT



A₁ SECTION @ SILL FRAME
INTELASUN SKYLIGHT-SINGLE SLOPE



A₂ SECTION @ SILL FRAME
INTELASUN SKYLIGHT-SINGLE SLOPE

DYNAMIC SHADING
INTELASUN SKYLIGHTS
SINGLE SLOPE

Daylighting
Building Envelope Solutions
CPI

Kingspan
Light+Air

28662 N. Ballard Drive
Lake Forest, IL 60045 USA
T: +1 847.816.1060
F: +1 847.816.0475

Note

The standard details shown are for reference only.

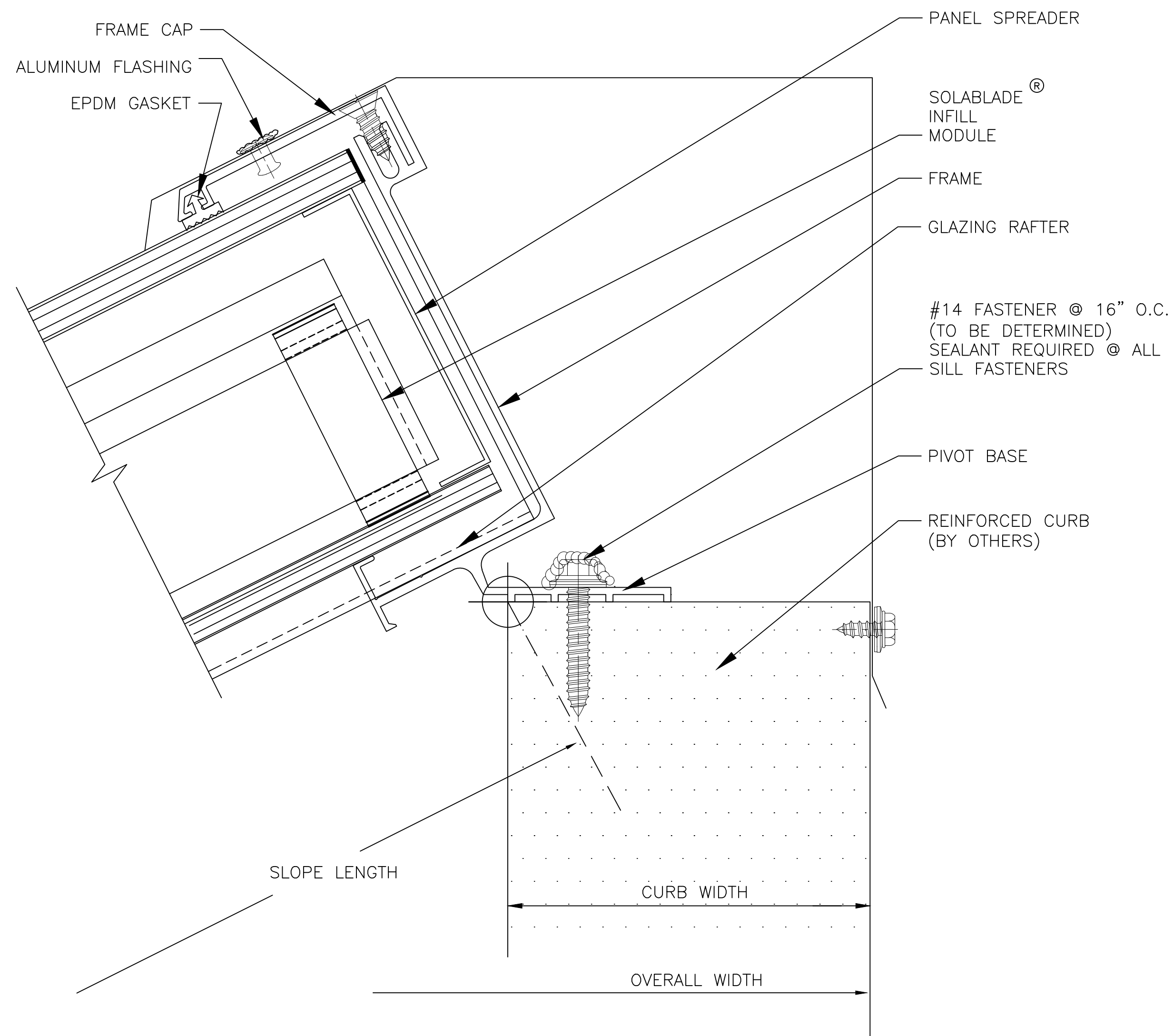
Please contact our Architectural Support Department for job specific details and for information regarding the usage, limitations, and or code requirements pertaining to this product, please contact us at:

support@cpidaylighting.com

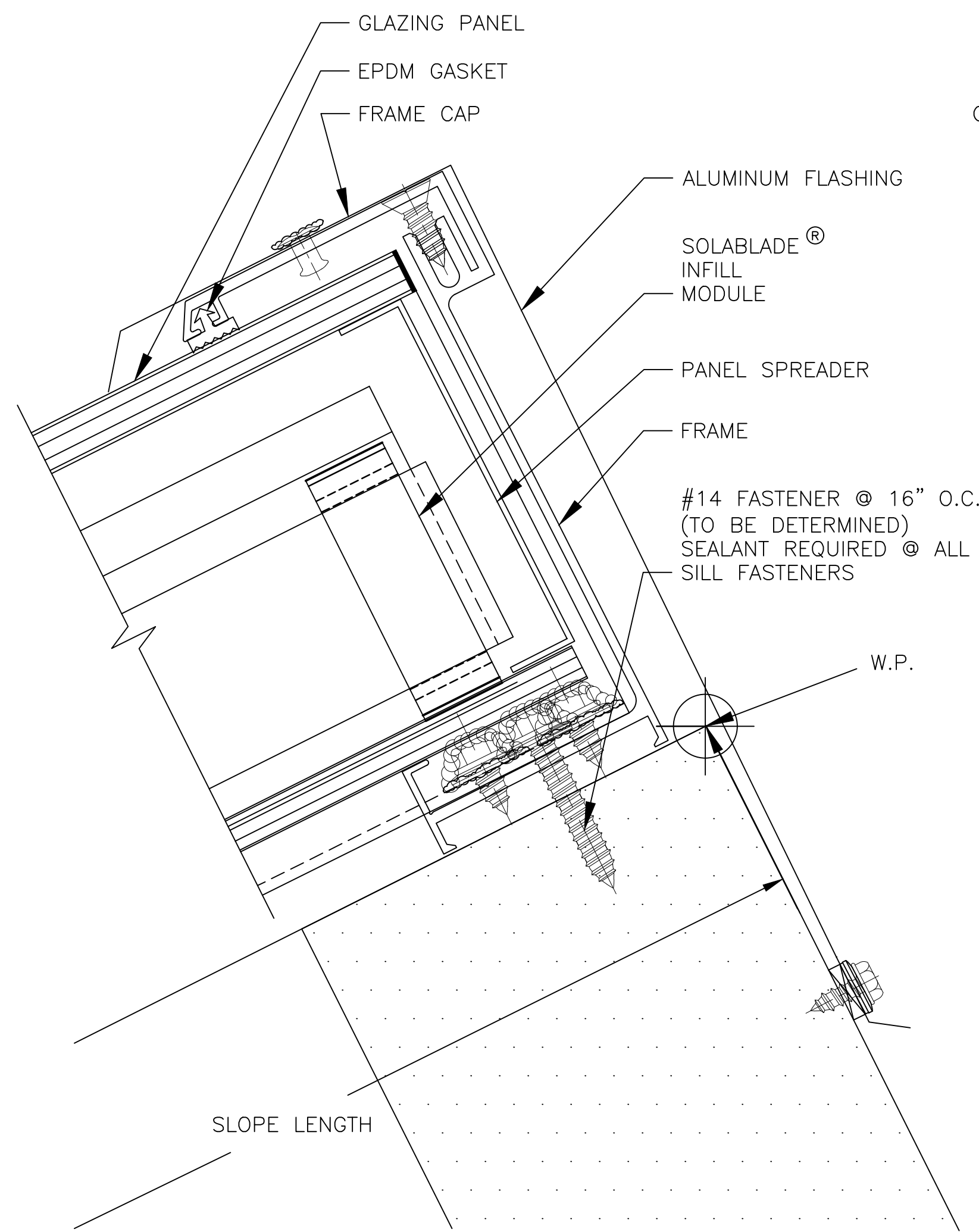
Details are subject to change and should be verified with our Architectural Support Department prior to implementation, please contact us at: support@cpidaylighting.com

SHEET NO.

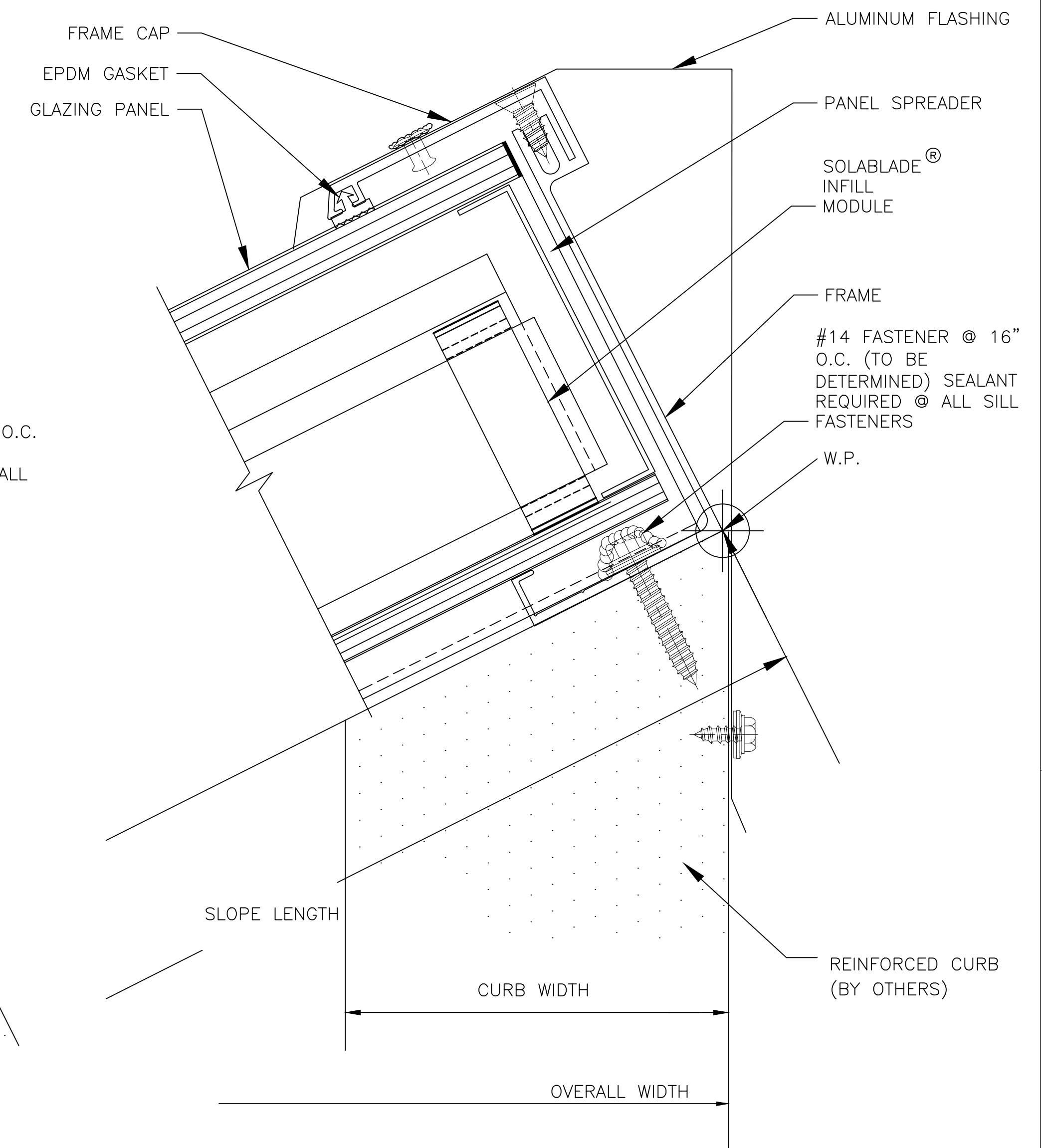
1 OF 4



B1 SECTION @ HEAD FRAME
INTELASUN SKYLIGHT-SINGLE SLOPE



B2 SECTION @ HEAD FRAME
INTELASUN SKYLIGHT-SINGLE SLOPE



B3 SECTION @ HEAD FRAME
INTELASUN SKYLIGHT-SINGLE SLOPE

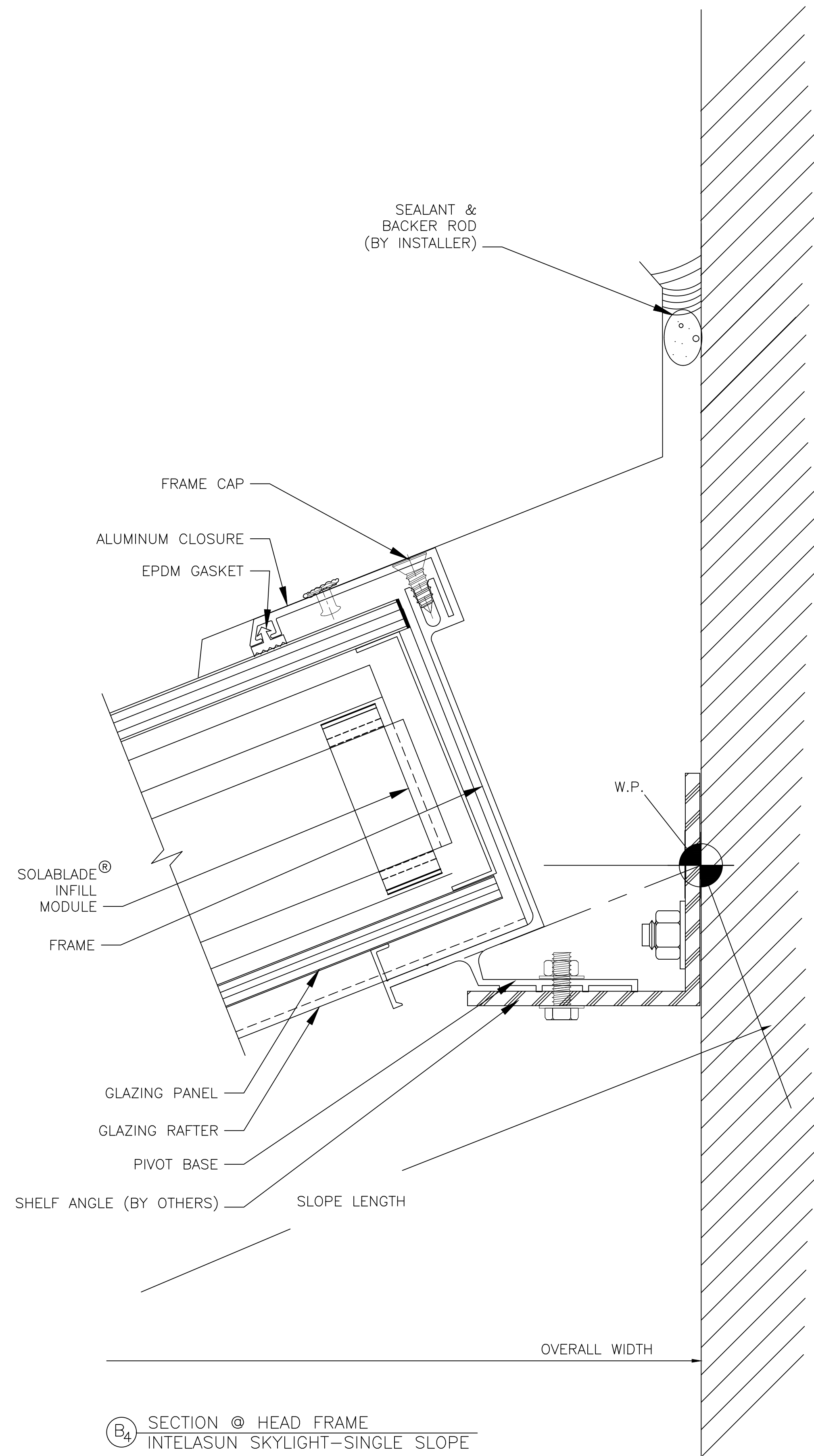
DYNAMIC SHADING
INTELASUN SKYLIGHTS
SINGLE SLOPE



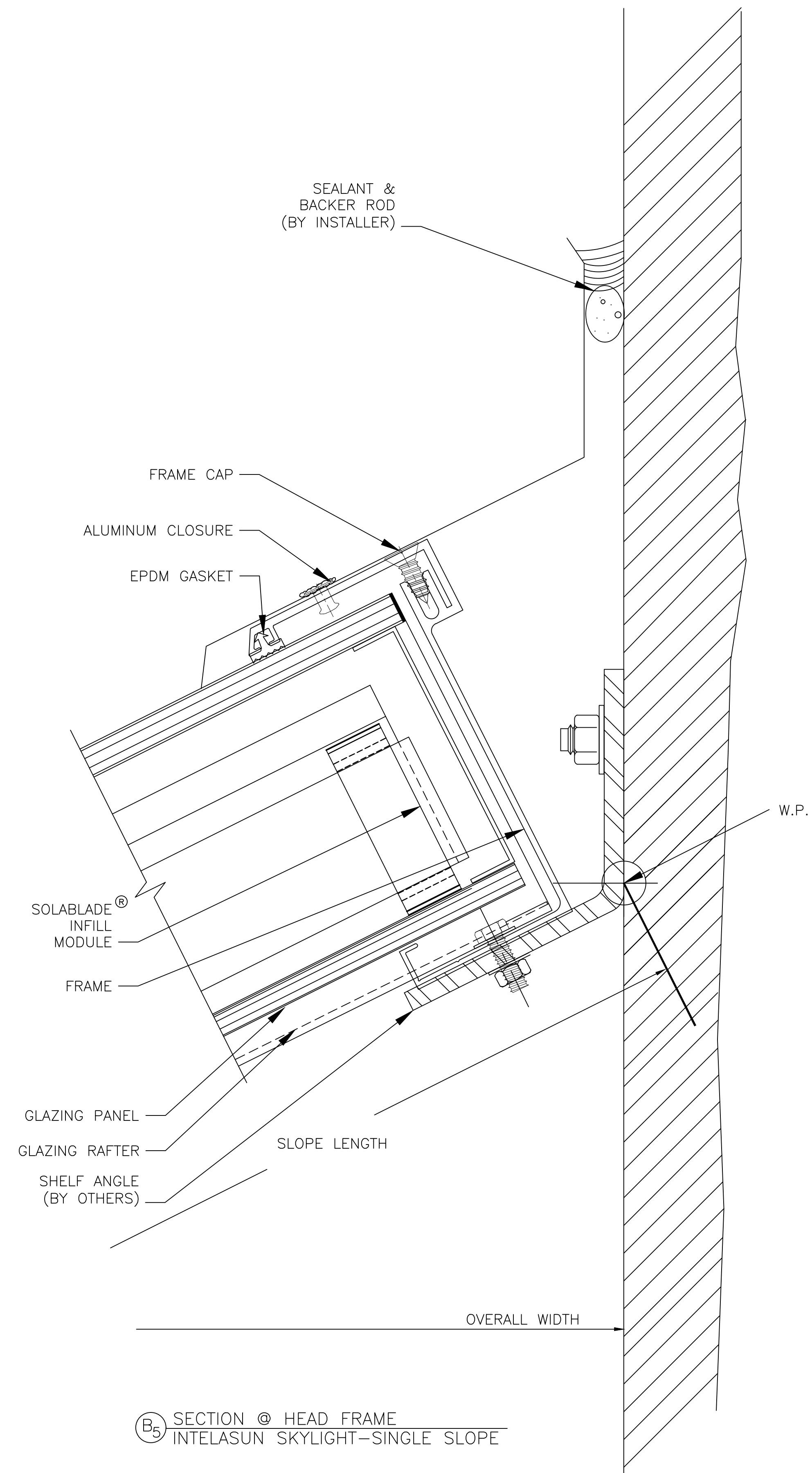
28662 N. Ballard Drive
Lake Forest, IL 60045 USA
T: +1 847.816.1060
F: +1 847.816.0475

Note
The standard details shown
are for reference only.
Please contact our Architectural
Support Department for job
specific details and for
information regarding the usage,
limitations, and or code
requirements pertaining to this
product, please contact us at:
support@cpidaylighting.com

Details are subject to change and should be
verified with our Architectural Support
Department prior to implementation, please
contact us at: support@cpidaylighting.com



B4 SECTION @ HEAD FRAME
INTELASUN SKYLIGHT-SINGLE SLOPE



B5 SECTION @ HEAD FRAME
INTELASUN SKYLIGHT-SINGLE SLOPE

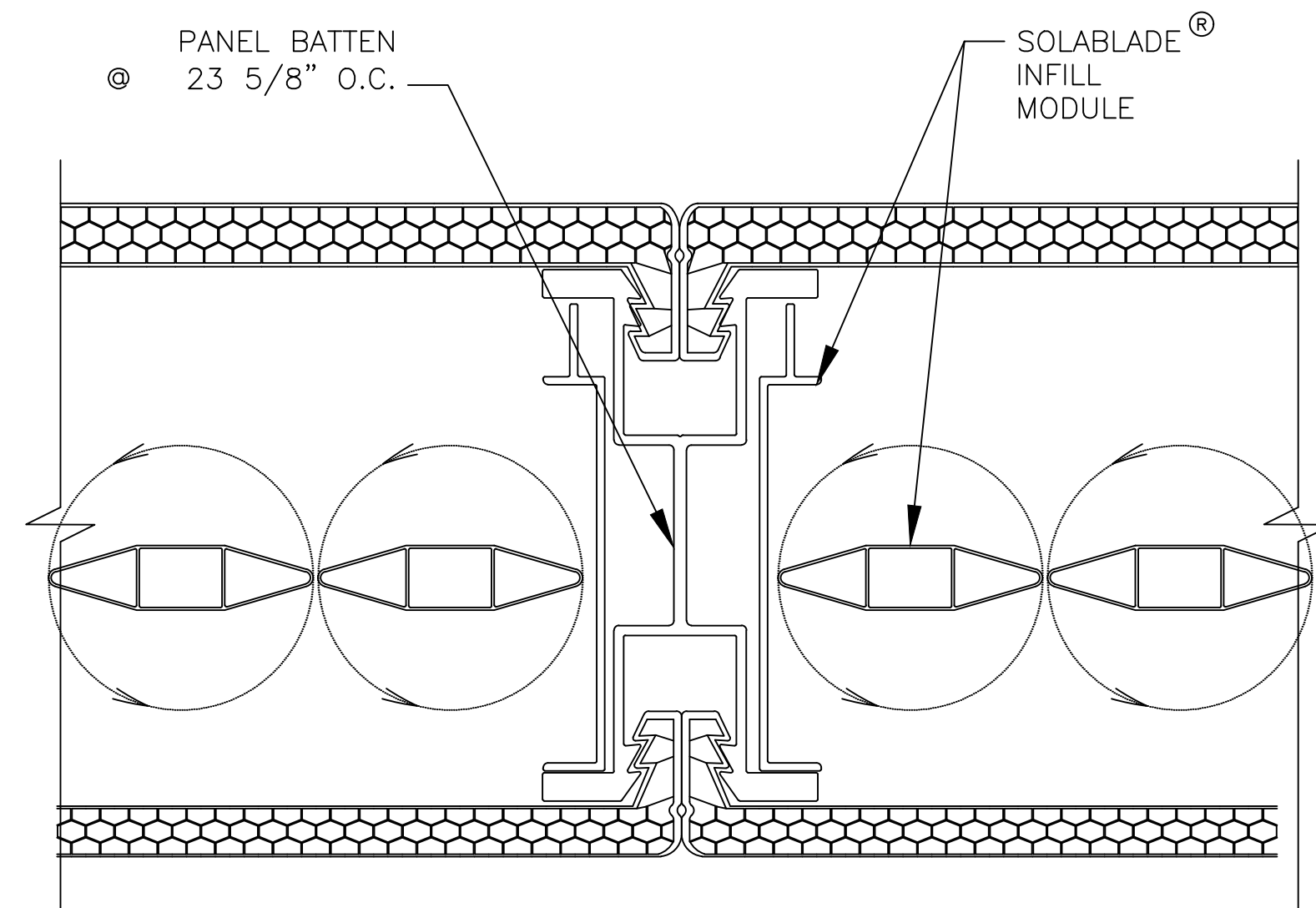
DYNAMIC SHADING
INTELASUN SKYLIGHTS
SINGLE SLOPE



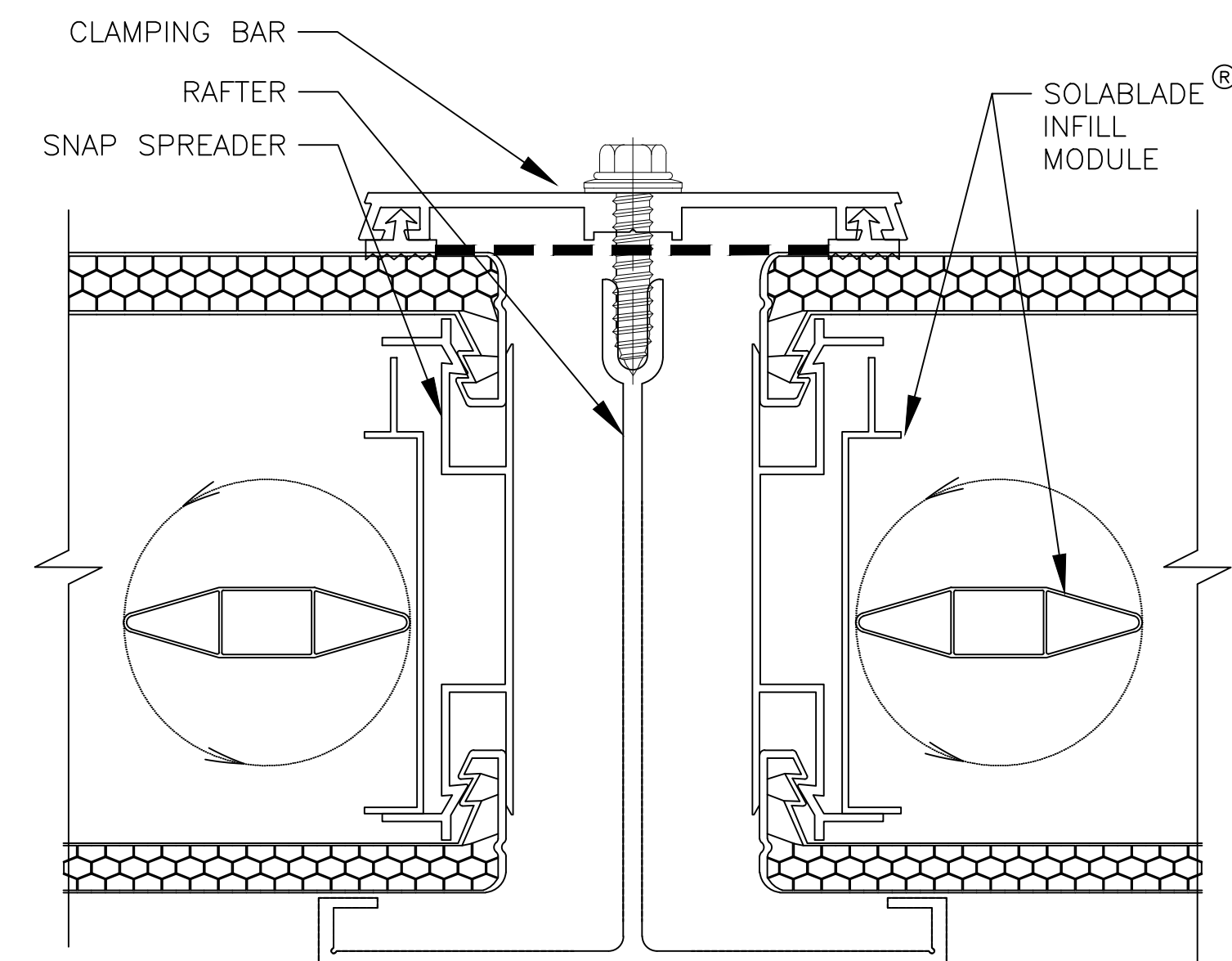
28662 N. Ballard Drive
Lake Forest, IL 60045 USA
T: +1 847.816.1060
F: +1 847.816.0475

Note
The standard details shown are for reference only.
Please contact our Architectural Support Department for job specific details and for information regarding the usage, limitations, and or code requirements pertaining to this product, please contact us at:
support@cpidaylighting.com

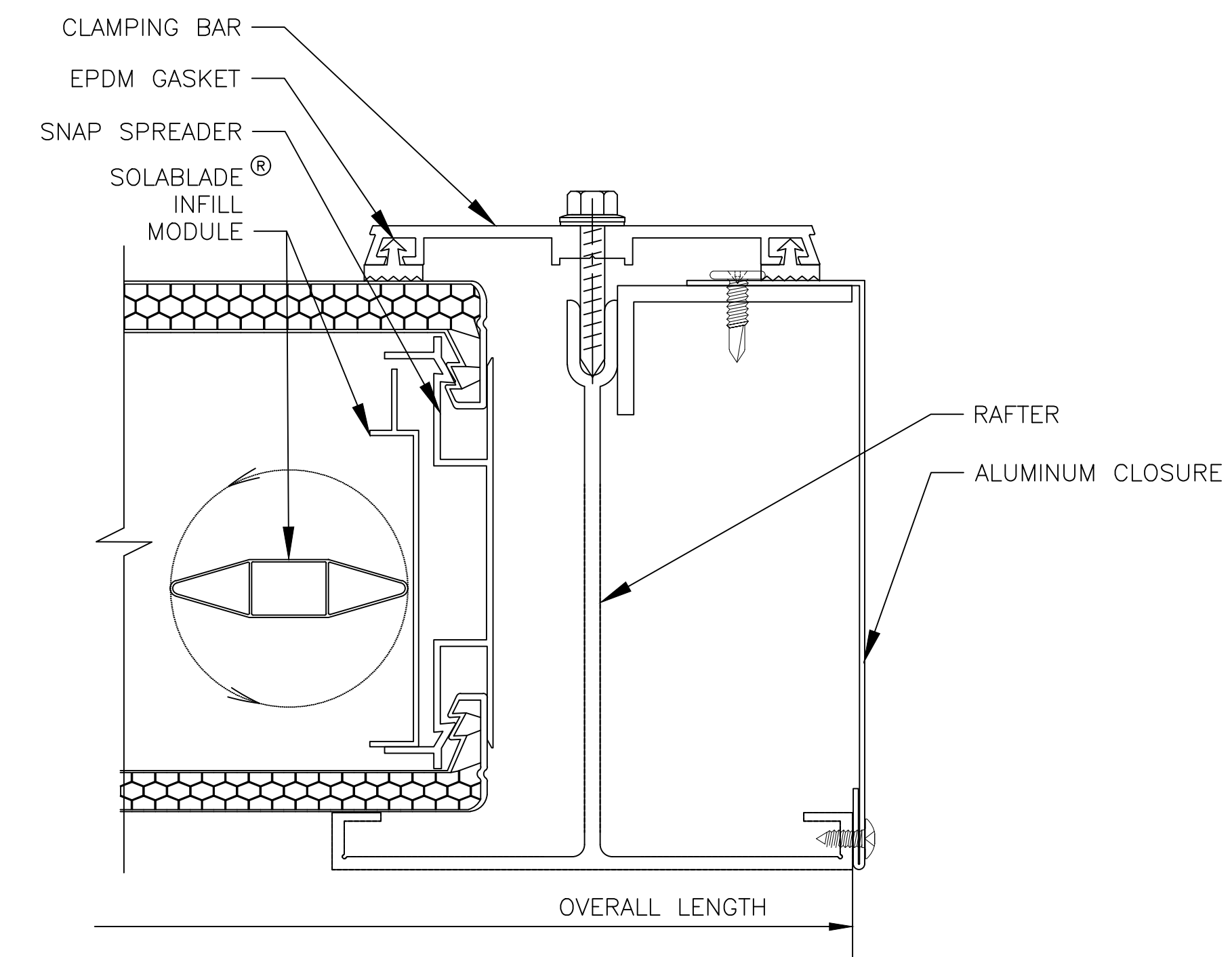
Details are subject to change and should be verified with our Architectural Support Department prior to implementation, please contact us at: support@cpidaylighting.com



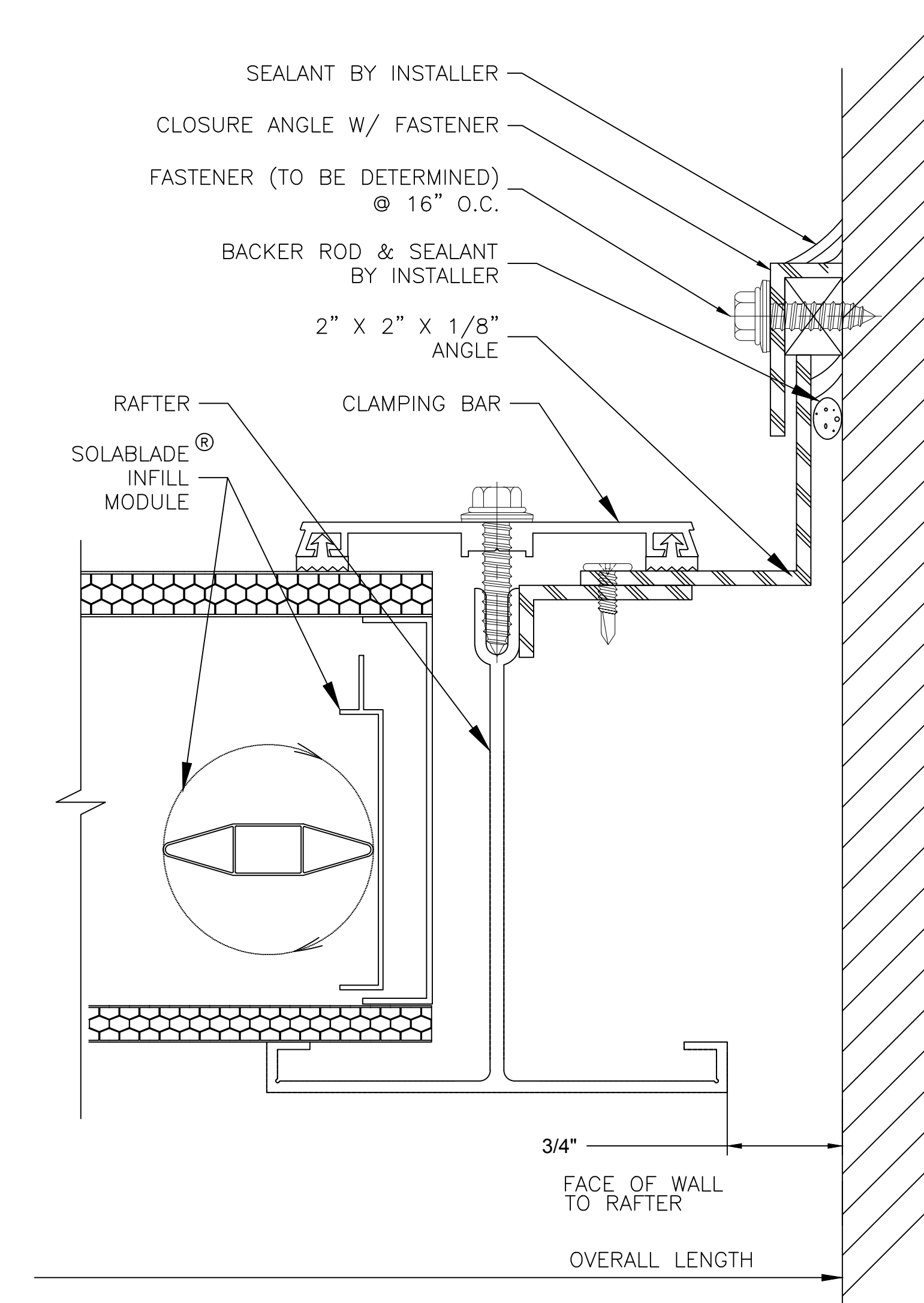
C SECTION @ BATTEN
INTELASUN SKYLIGHT-SINGLE SLOPE



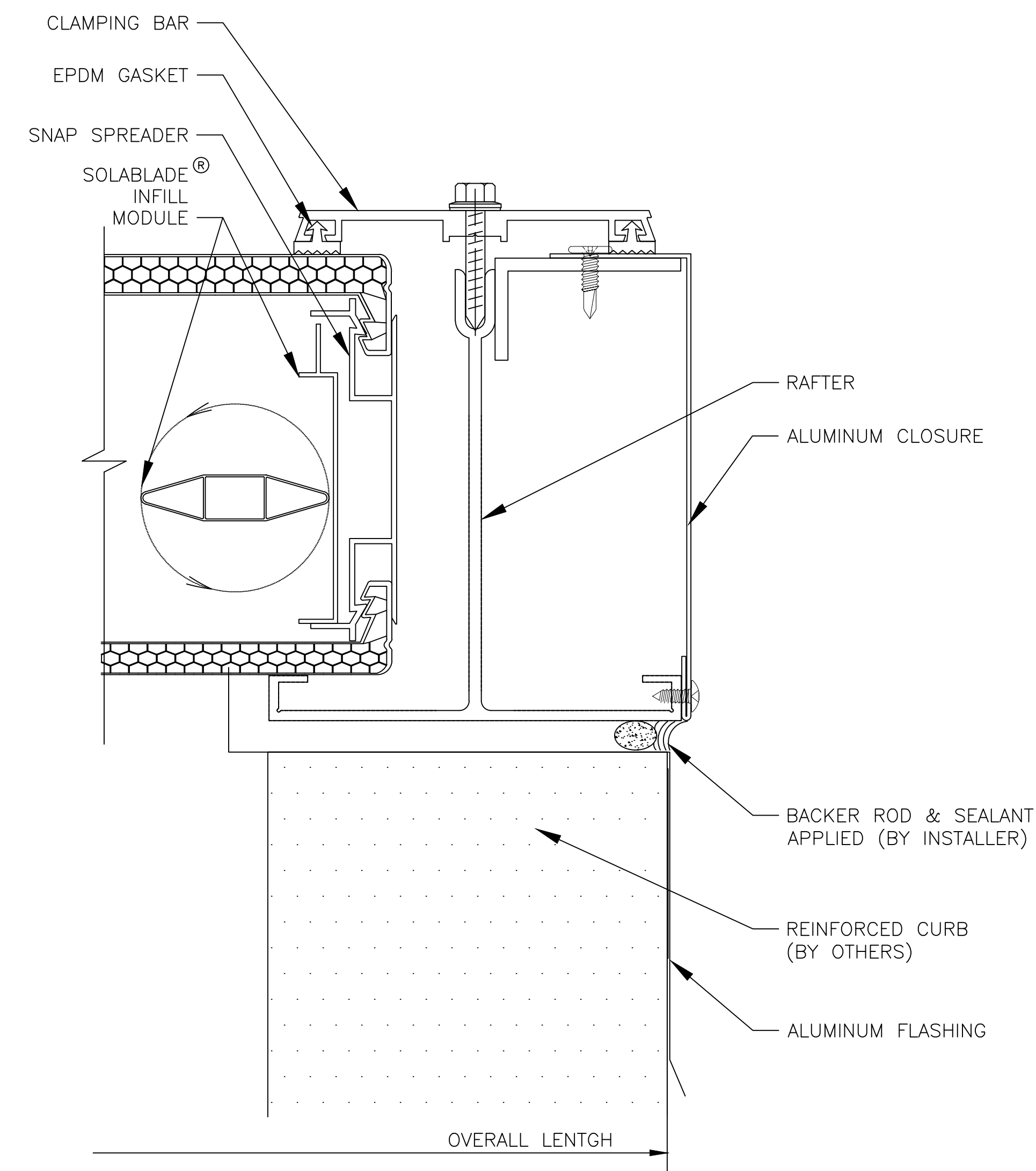
D SECTION @ RAFTER
INTELASUN SKYLIGHT-SINGLE SLOPE



E1 SECTION @ OPEN END
INTELASUN SKYLIGHT-SINGLE SLOPE



E2 SECTION @ WALL
INTELASUN SKYLIGHT-SINGLE SLOPE



E3 SECTION @ ENDS
INTELASUN SKYLIGHT-SINGLE SLOPE

Details are subject to change and should be verified with our Architectural Support Department prior to implementation, please contact us at: support@cpidaylighting.com

DYNAMIC SHADING
INTELASUN SKYLIGHTS
SINGLE SLOPE



28662 N. Ballard Drive
Lake Forest, IL 60045 USA

T: +1 847.816.1060
F: +1 847.816.0475

Note
The standard details shown are for reference only. Please contact our Architectural Support Department for job specific details and for information regarding the usage, limitations, and or code requirements pertaining to this product, please contact us at: support@cpidaylighting.com

SHEET NO.

4 OF 4