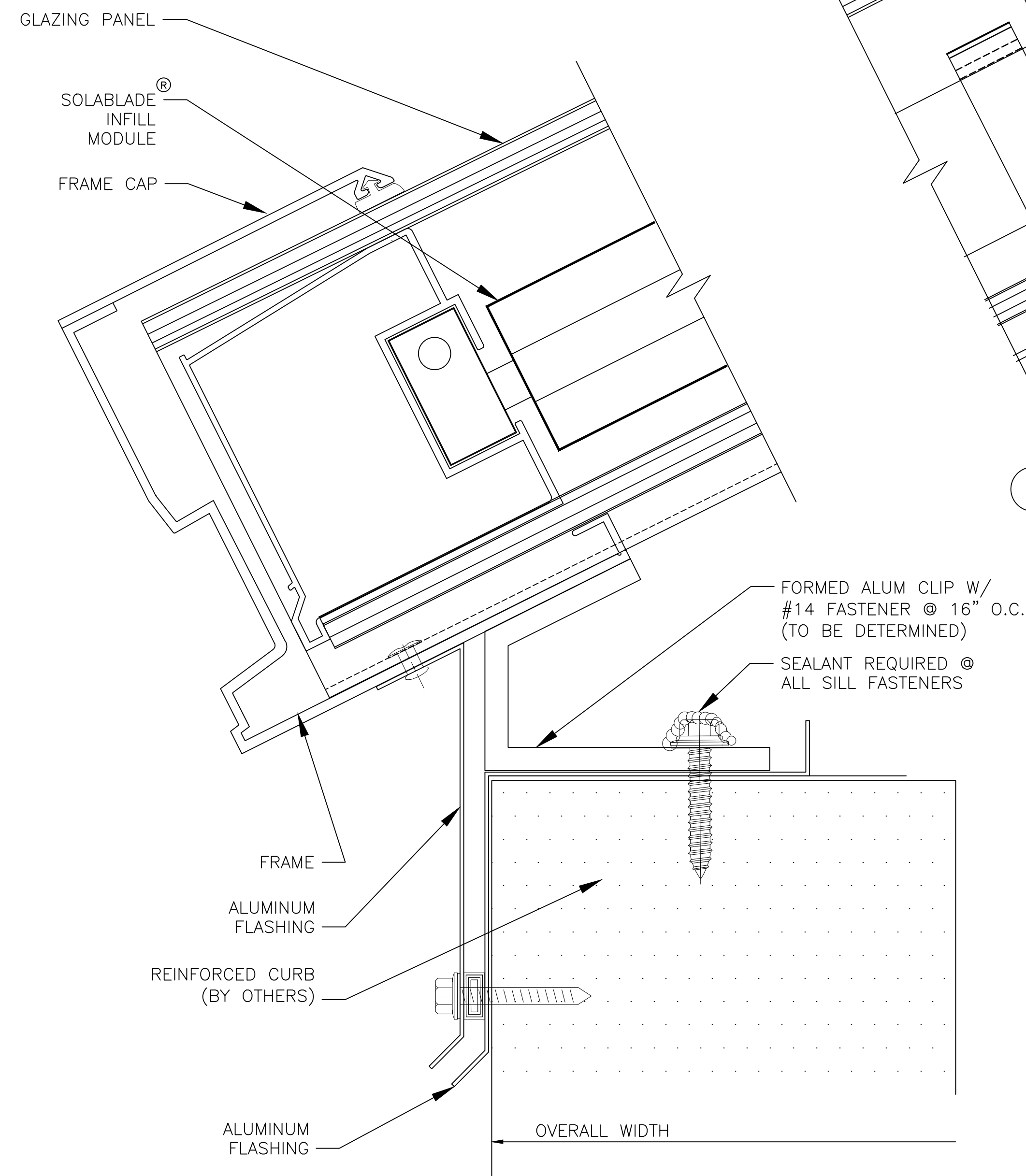
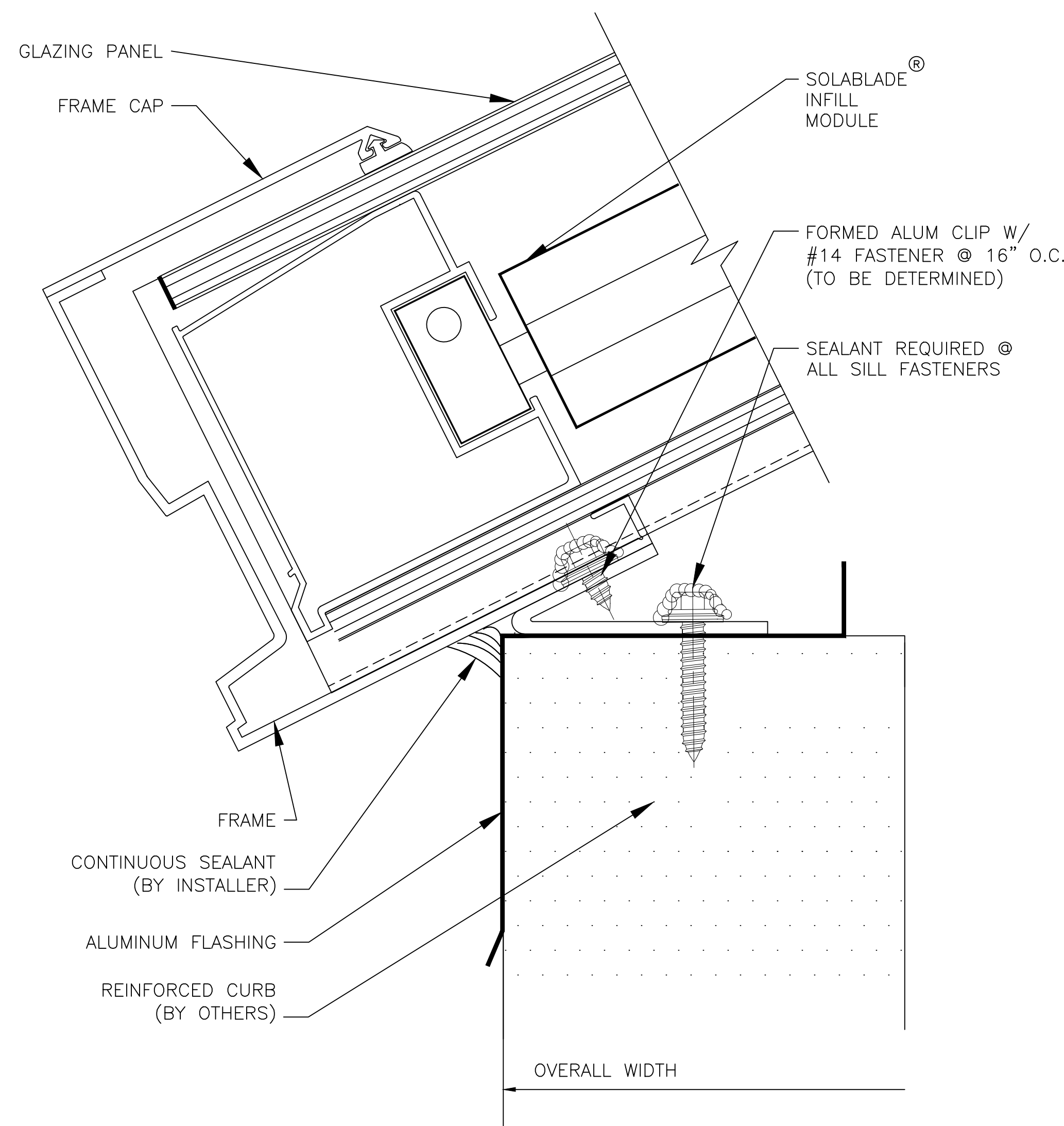
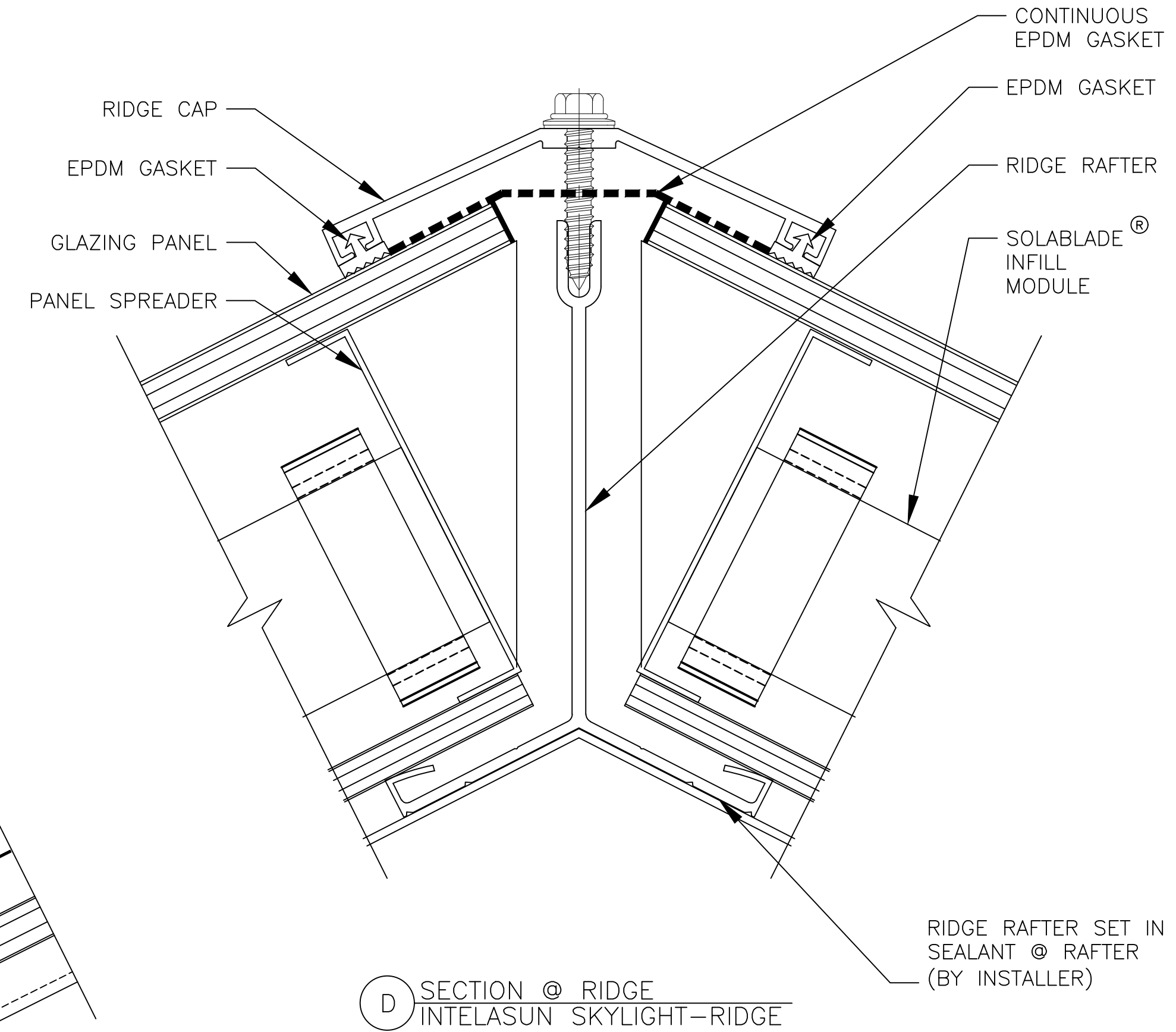


NOTE:  
RECOMMENDED MINIMUM PITCH 3:12.  
FOR INSTALLATIONS REQUIRING A LESSER  
PITCH PLEASE CONTACT OUR  
ARCHITECTURAL SUPPORT DEPARTMENT



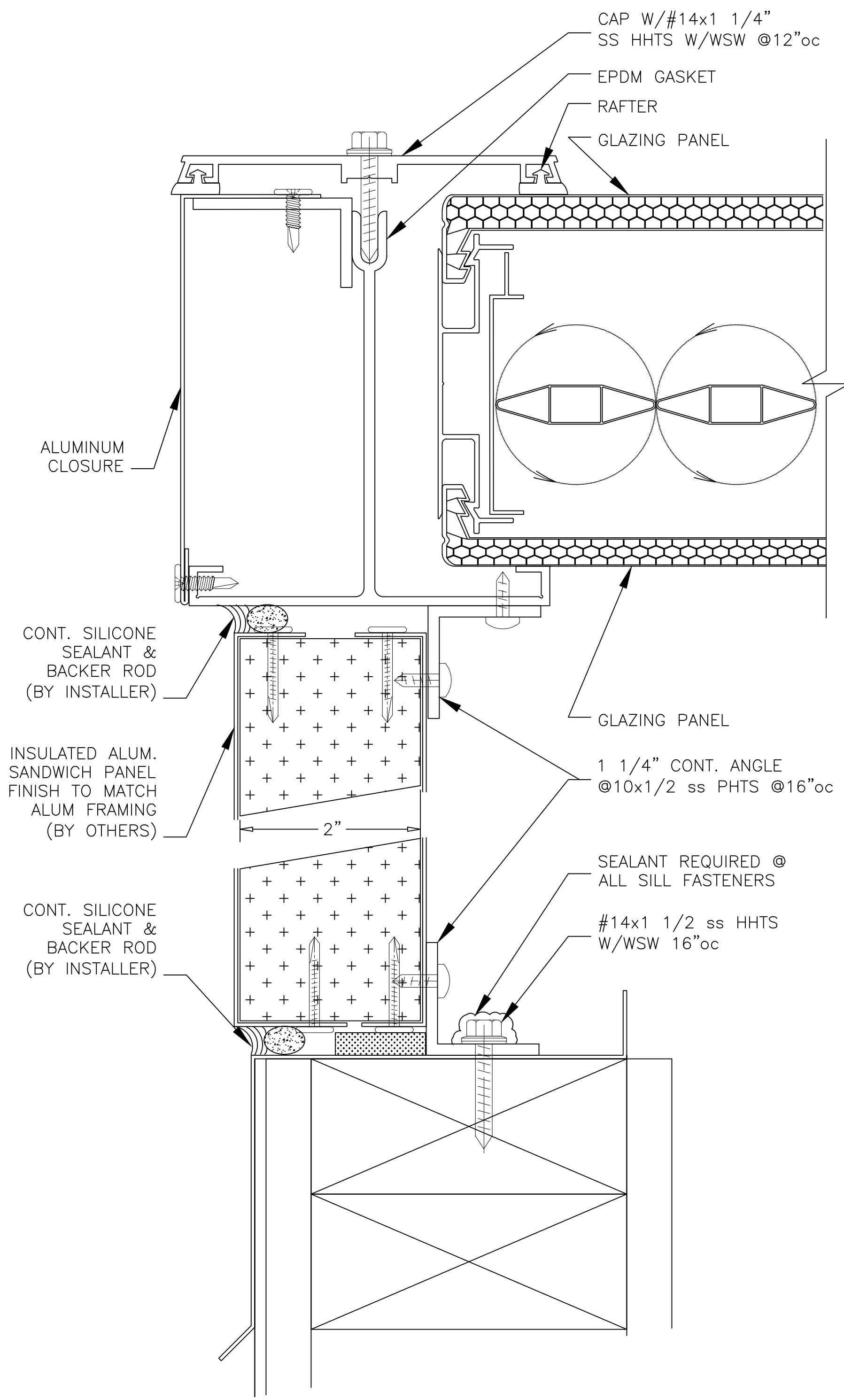
DYNAMIC SHADING  
INTELASUN SKYLIGHTS  
RIDGE



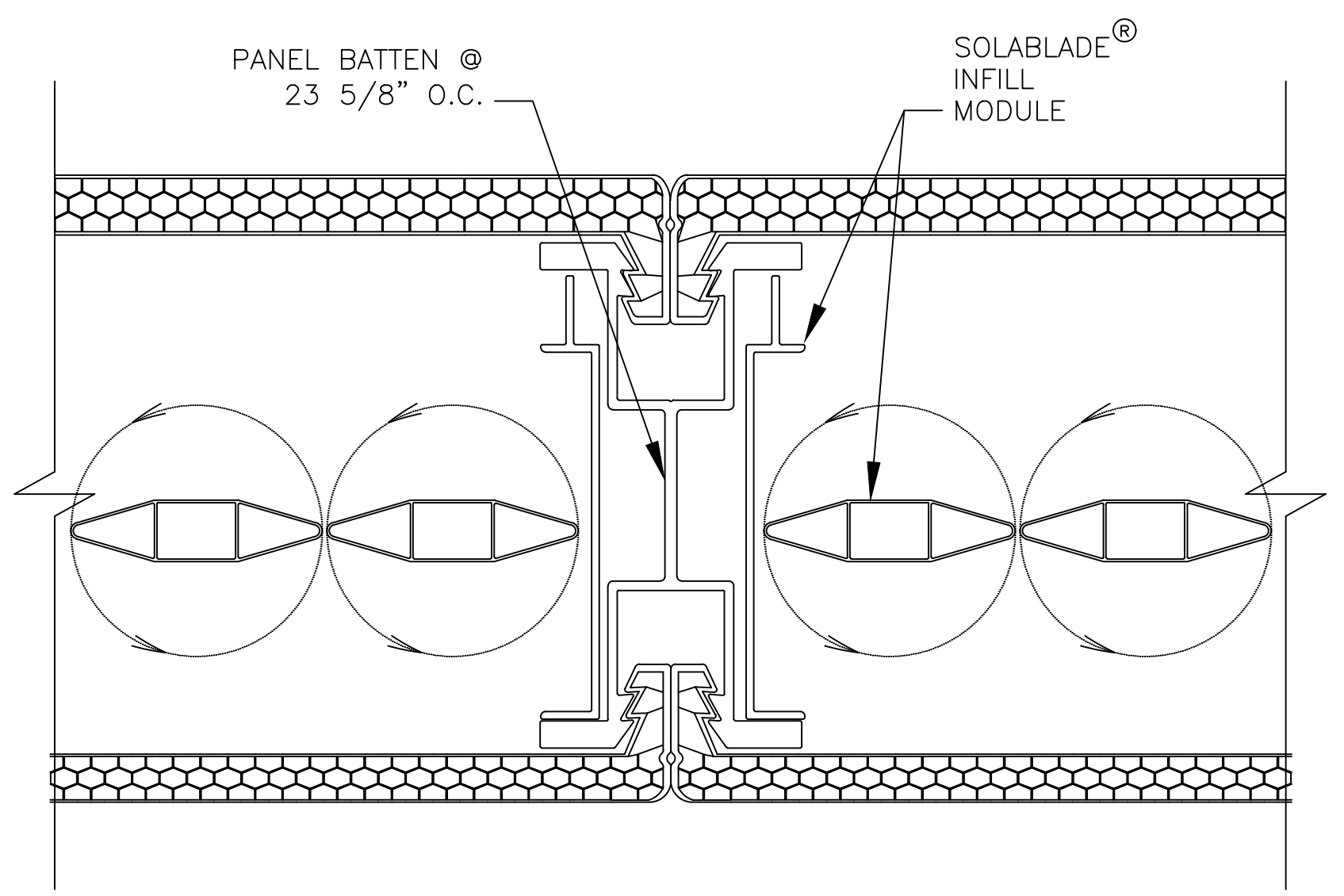
28662 N. Ballard Drive  
Lake Forest, IL 60045 USA  
T: +1 847.816.1060  
F: +1 847.816.0475

**Note**  
The standard details shown  
are for reference only.  
Please contact our Architectural  
Support Department for job  
specific details and for  
information regarding the usage,  
limitations, and or code  
requirements pertaining to this  
product, please contact us at:  
support@cpidaylighting.com

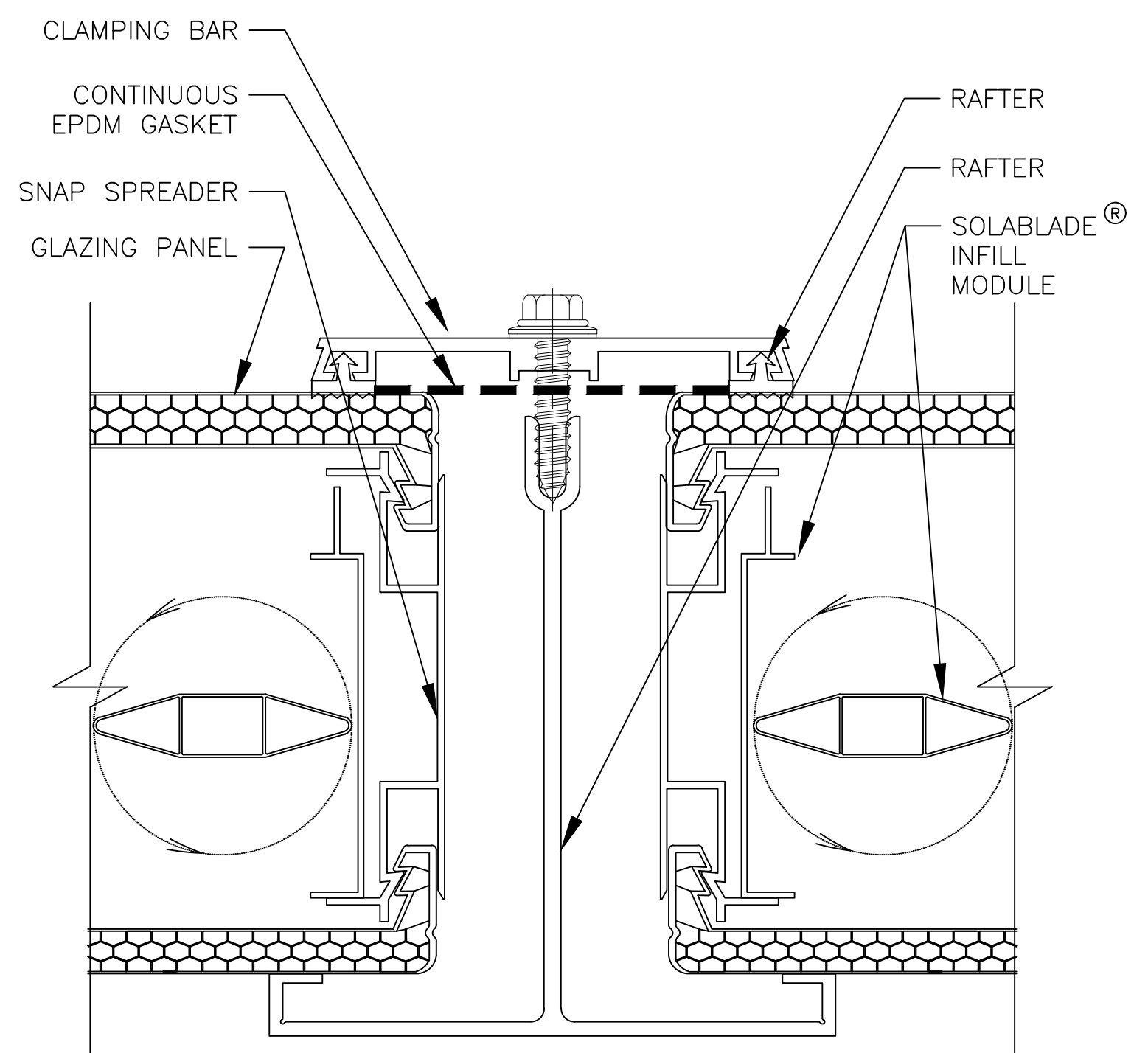
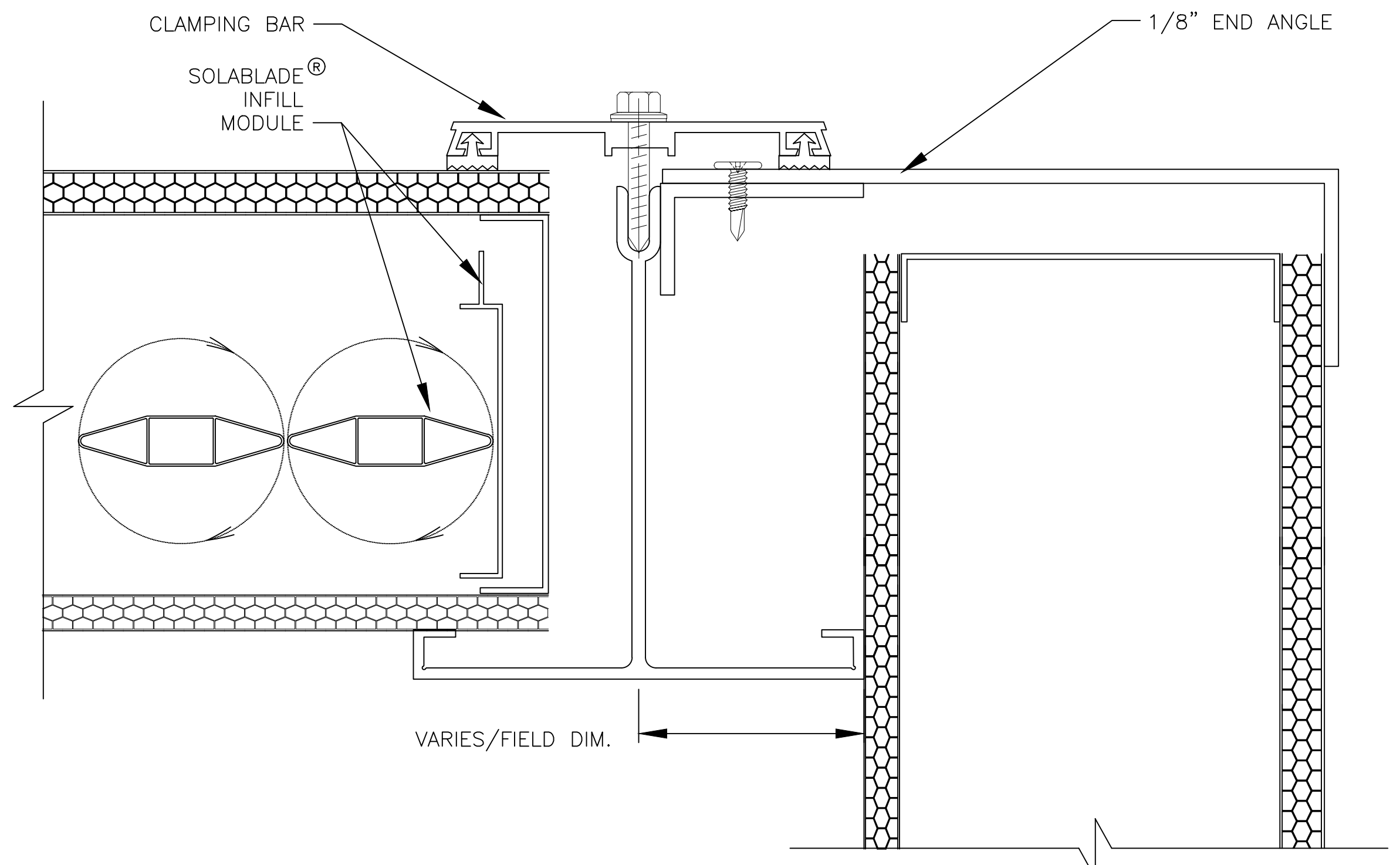
Details are subject to change and should be  
verified with our Architectural Support  
Department prior to implementation, please  
contact us at: support@cpidaylighting.com



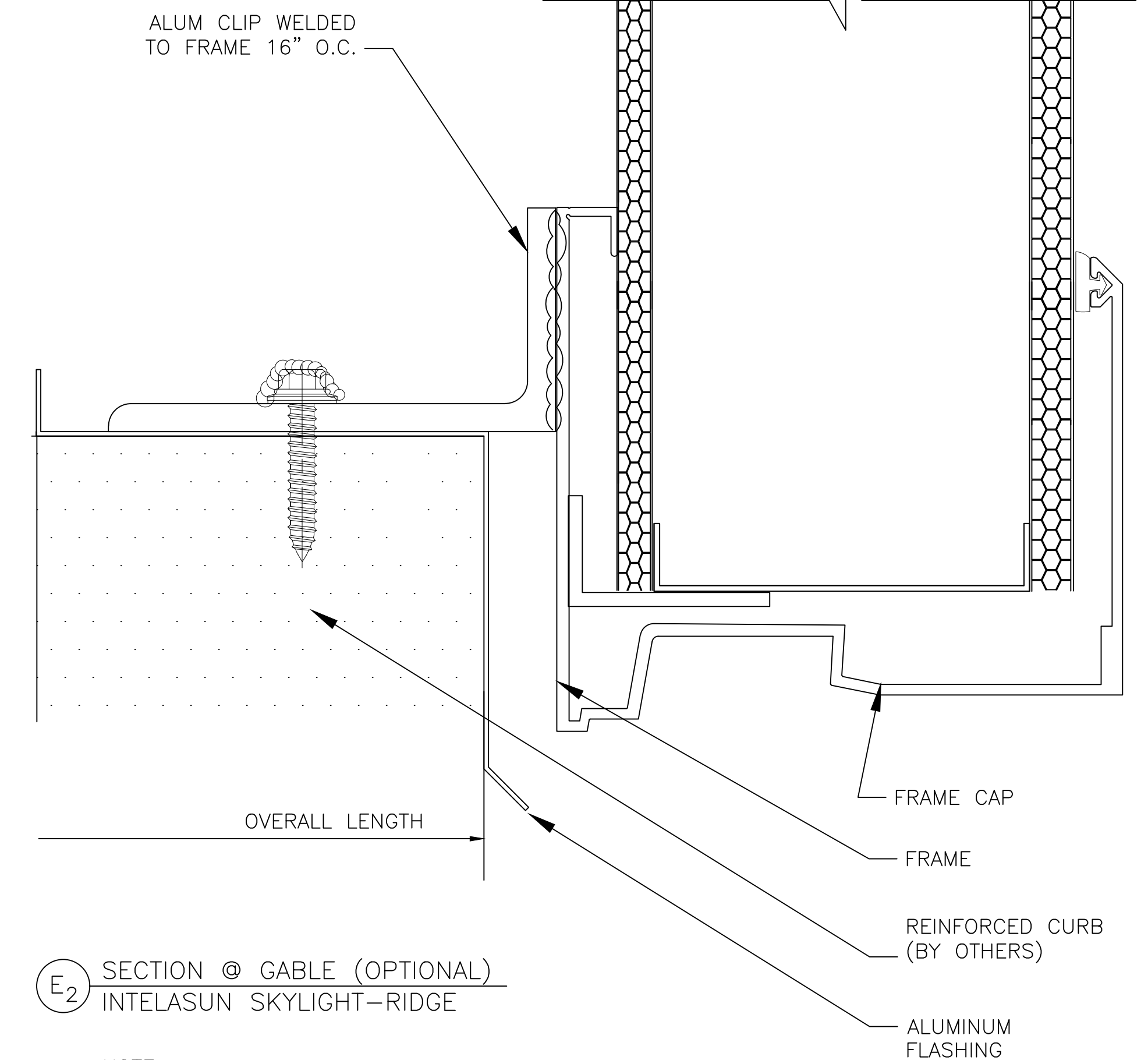
E1 SECTION @ GABLE  
INTELASUN SKYLIGHT-RIDGE



B SECTION @ BATTEN  
INTELASUN SKYLIGHT-RIDGE



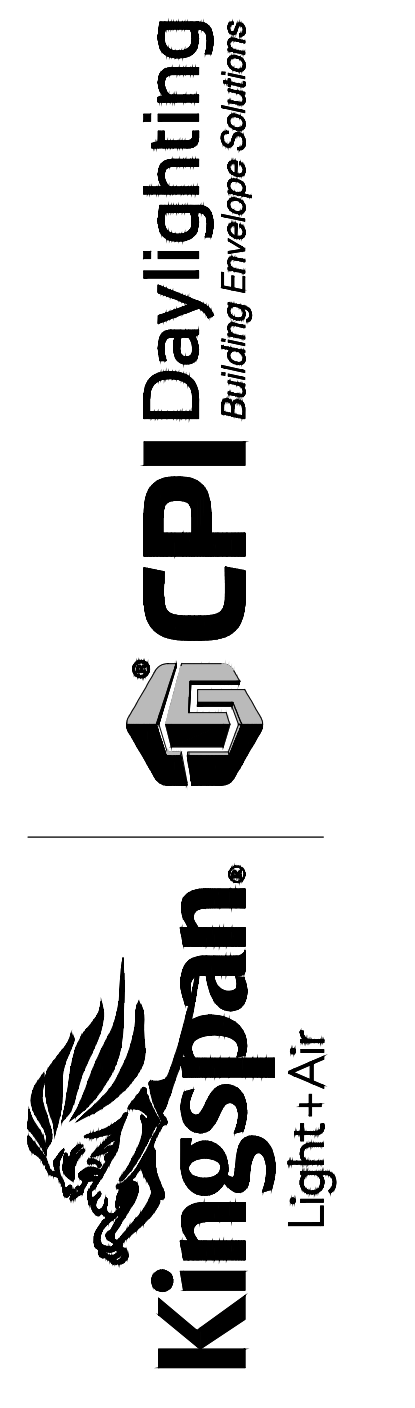
C SECTION @ RAFTER  
INTELASUN SKYLIGHT-RIDGE



E2 SECTION @ GABLE (OPTIONAL)  
INTELASUN SKYLIGHT-RIDGE

NOTE:  
GABLE END GLAZING IS  
NORMALLY OPAQUE. OPTIONAL  
PASSIVE OR DYNAMIC  
SOLABLADES ARE AVAILABLE

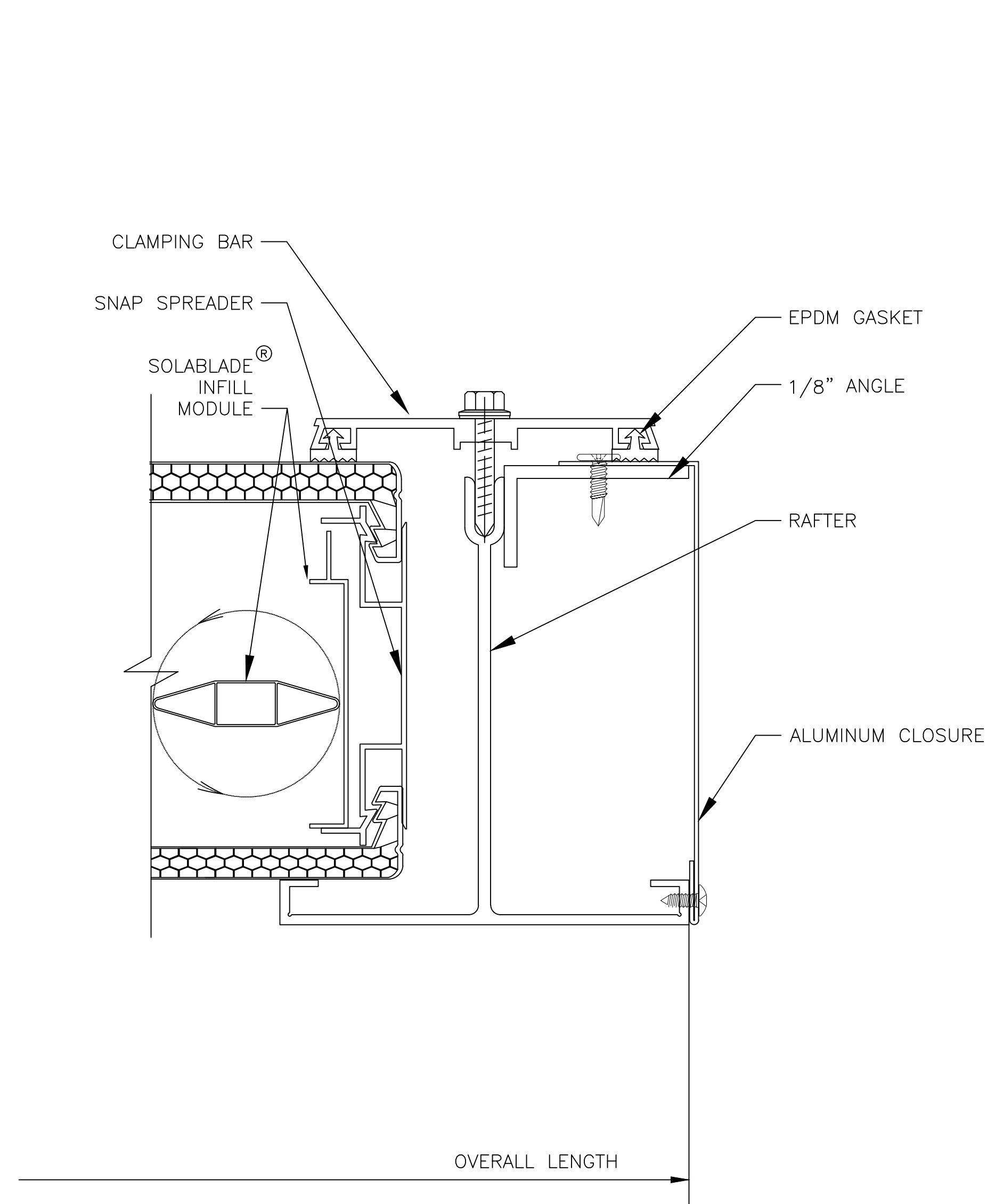
DYNAMIC SHADING  
INTELASUN SKYLIGHTS  
RIDGE



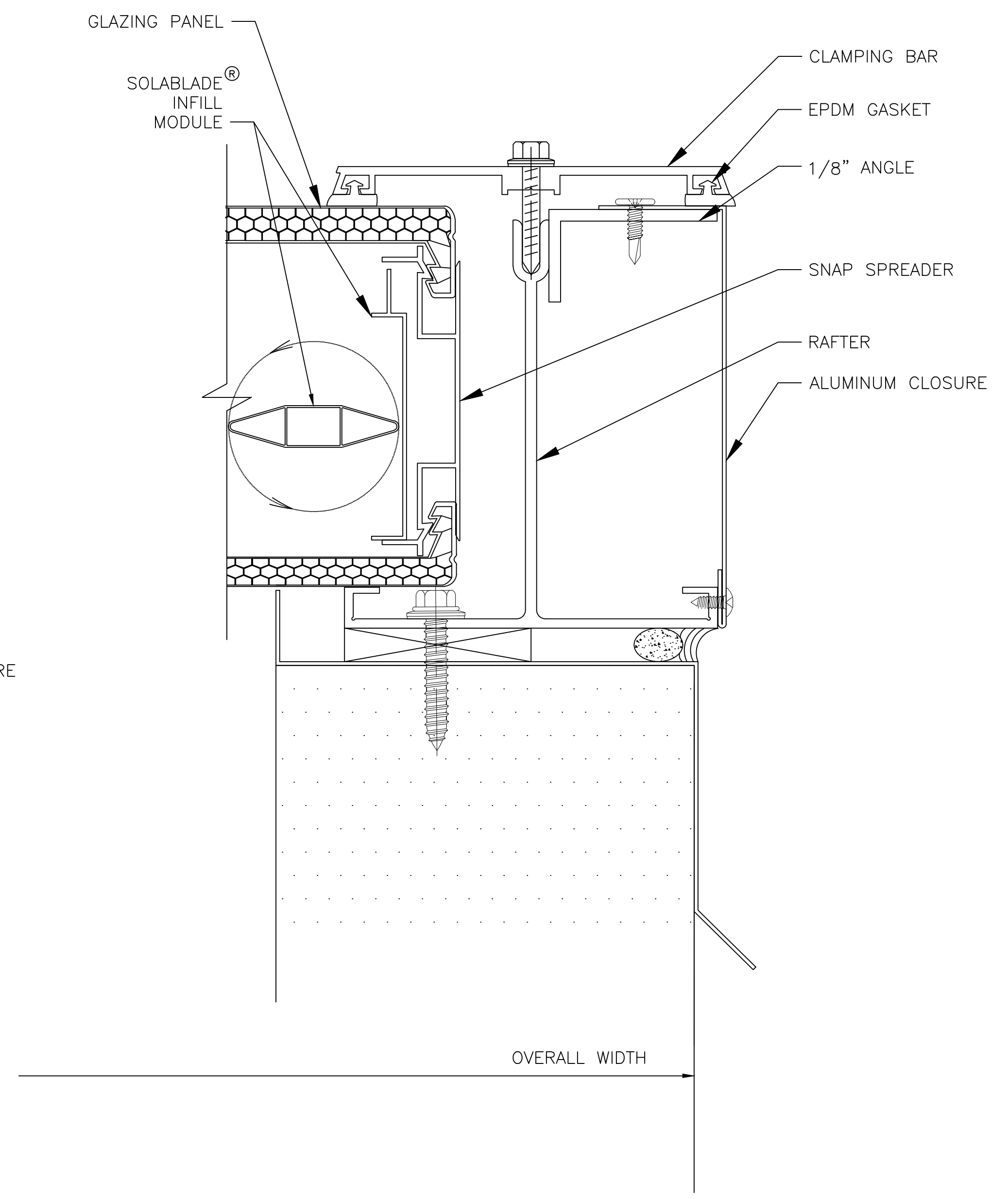
28662 N. Ballard Drive  
Lake Forest, IL 60045 USA  
T: +1 847.816.1060  
F: +1 847.816.0475

**Note**  
The standard details shown  
are for reference only.  
Please contact our Architectural  
Support Department for job  
specific details and for  
information regarding the usage,  
limitations, and or code  
requirements pertaining to this  
product, please contact us at:  
support@cpidaylighting.com

Details are subject to change and should be  
verified with our Architectural Support  
Department prior to implementation, please  
contact us at: support@cpidaylighting.com



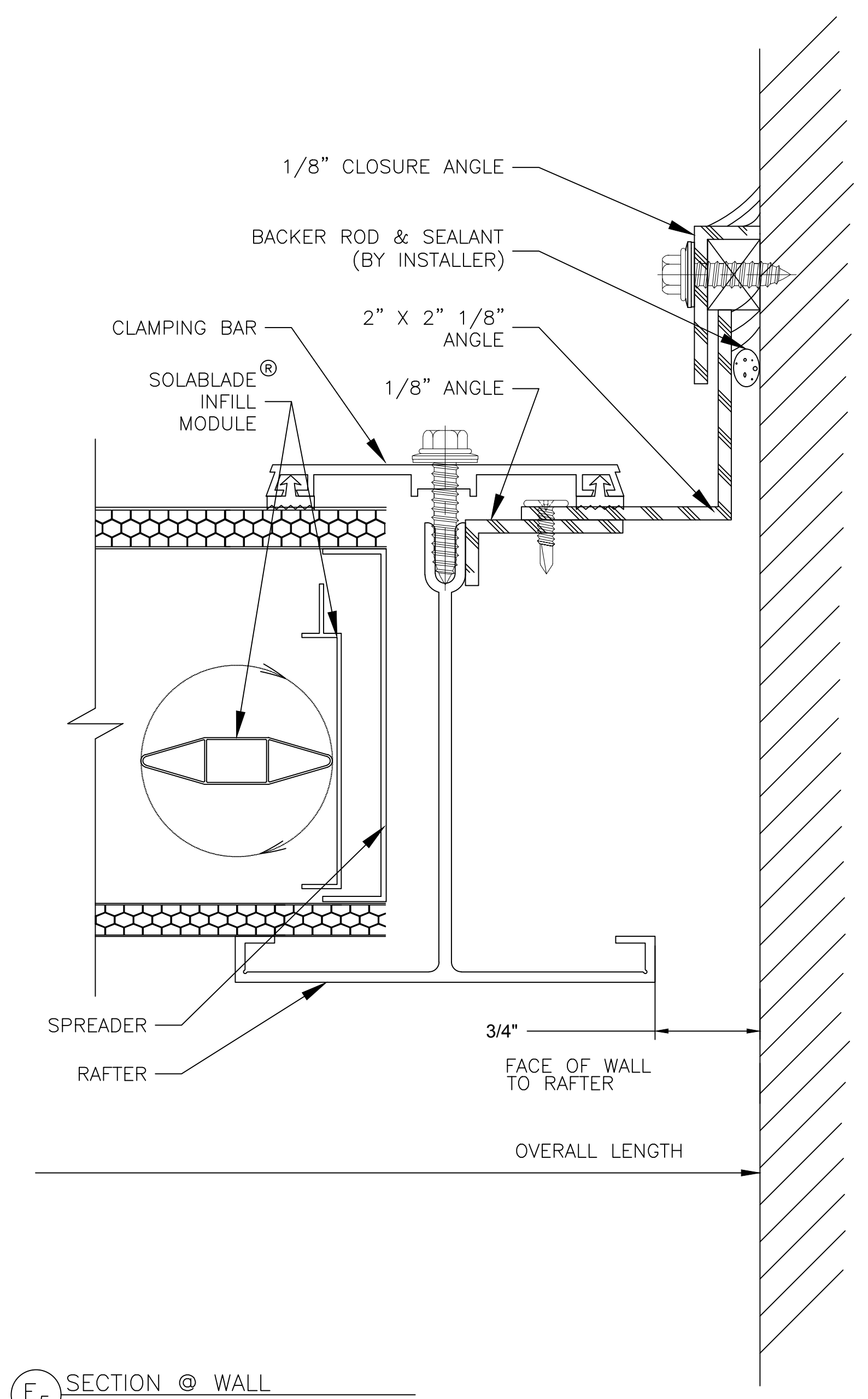
E<sub>3</sub> SECTION @ OPEN END  
INTELASUN SKYLIGHT-RIDGE



E<sub>4</sub> SECTION @ OPEN END  
INTELASUN SKYLIGHT-RIDGE

NOTE: FOR SADDLE RIDGE ONLY

NOTE:  
DETAILS E3, E4, AND E5  
SHOW ADDITIONAL OPTIONS  
@ END CONDITIONS



E<sub>5</sub> SECTION @ WALL  
INTELASUN SKYLIGHT-RIDGE

DYNAMIC SHADING  
INTELASUN SKYLIGHTS  
RIDGE



28662 N. Ballard Drive  
Lake Forest, IL 60045 USA  
T: +1 847.816.1060  
F: +1 847.816.0475

**Note**  
The standard details shown are for reference only.  
Please contact our Architectural Support Department for job specific details and for information regarding the usage, limitations, and or code requirements pertaining to this product, please contact us at:  
support@cpidaylighting.com

Details are subject to change and should be verified with our Architectural Support Department prior to implementation, please contact us at: support@cpidaylighting.com