

**PLAN VIEW**  
SCALE: 1" = 1'-0"

**CUSTOMER RESPONSIBILITY**

CUSTOMER TO SPECIFY LOCATION OF AUTOMATIC WALL CONTROLLER AND PROVIDE THE FOLLOWING

1. ELECTRICAL BOX, 4 11/16" SQ. RACO #259 OR SIMILAR TO MOUNT THE AUTOMATIC WALL CONTROLLER
2. CAT 5E568 B.2 SHIELDED COMM. CABLE, TERMINATED WITH RJ45 CONNECTORS, FROM THE WALL CONTROLLER TO THE SIDE OF THE END RAFTER, SEE PLAN
3. ELECTRICAL JUNCTION BOX WITH 120V, 5 Amp SERVICE (min) ON ITS OWN CIRCUIT BREAKER PROVIDE OUTLET AT THE SIDE OF THE END RAFTER, SEE PLAN

POWER SUPPLY  
120 VOLTS 5 AMPS (min)  
PROVIDED AT SILL OF EA. UNIT  
BY OTHERS NOT BY CPI

AUTOMATIC WALL CONTROLLER  
APPROVER SPECIFY LOCATION

CAT 5E568 B.2 COMM. CABLE  
TERMINATED WITH RJ45 CONNECTORS  
FROM CONTROLLER TO  
THE SILL OF EACH UNIT, BY OTHERS

CONTROLLER TO BE MOUNTED ONTO  
A 4 11/16" SQ ELECTRICAL BOX  
(RACO #259 OR SIMILAR)  
STEEL BOX AND CONDUIT BY OTHERS

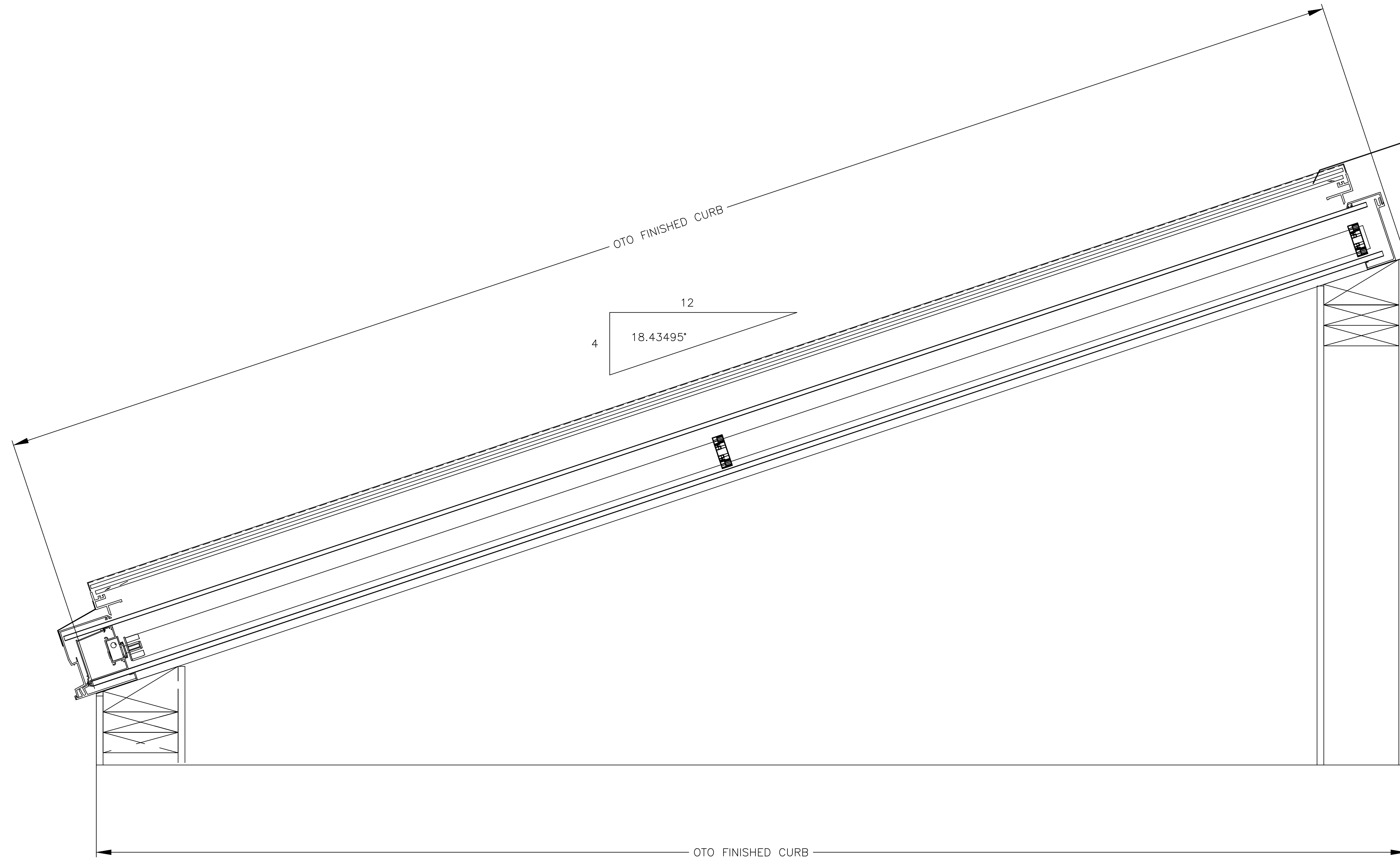
**DYNAMIC SHADING**  
**INTELAGLAS SKYLIGHT**  
SINGLE SLOPE



28662 N. Ballard Drive  
Lake Forest, IL 60045 USA  
T: +1 847.816.1060  
F: +1 847.816.0475

**Note**  
The standard details shown are for reference only.  
Please contact our Architectural Support Department for job specific details and for information regarding the usage, limitations, and or code requirements pertaining to this product, please contact us at:  
support@cpidaylighting.com

Details are subject to change and should be verified with our Architectural Support Department prior to implementation, please contact us at: support@cpidaylighting.com



SECTION  
 1" = 1'-0"

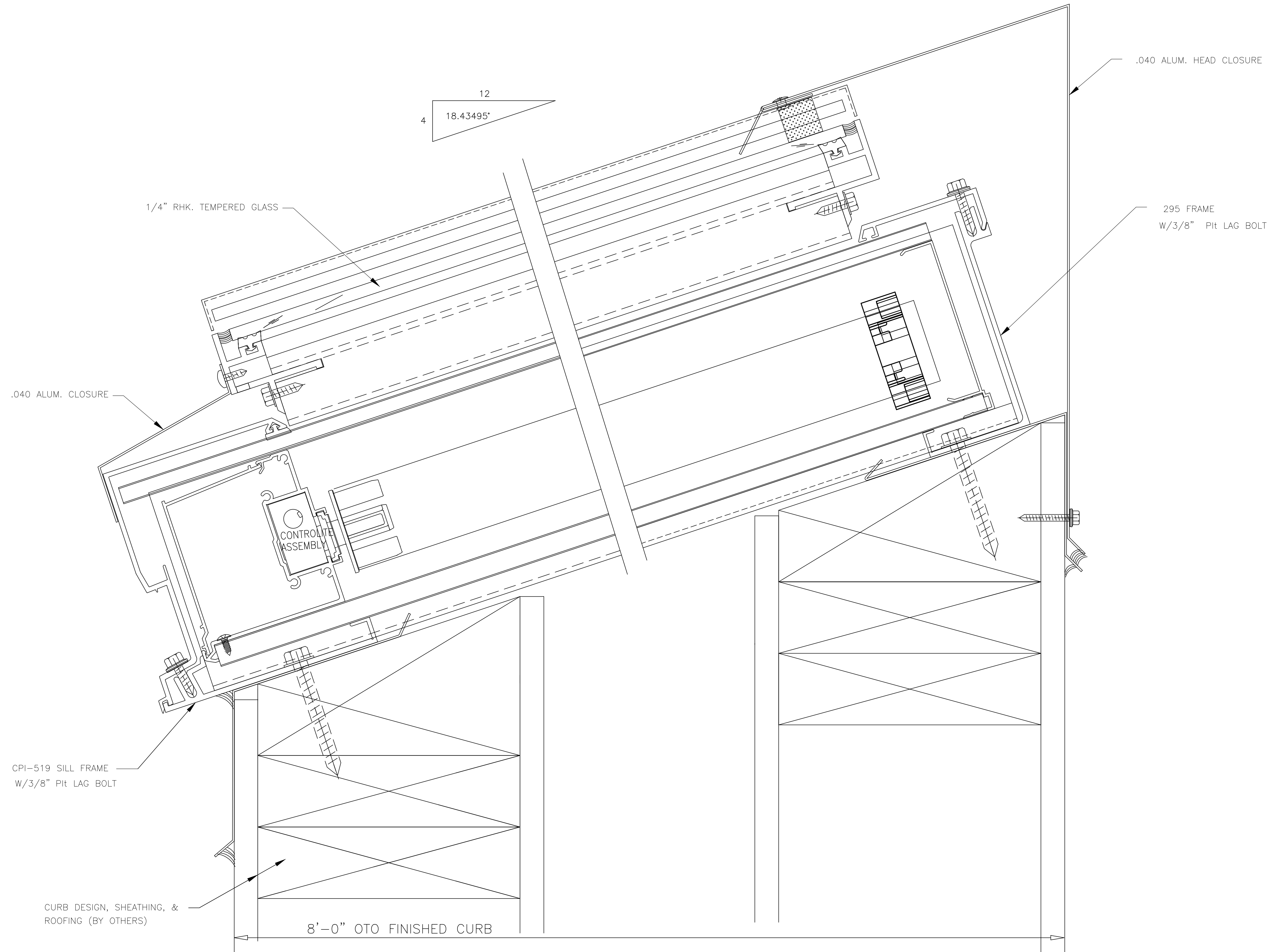
DYNAMIC SHADING  
 INTELGLAS SKYLIGHT  
 SINGLE SLOPE



28662 N. Ballard Drive  
 Lake Forest, IL 60045 USA  
 T: +1 847.816.1060  
 F: +1 847.816.0475

**Note**  
 The standard details shown are for reference only.  
 Please contact our Architectural Support Department for job specific details and for information regarding the usage, limitations, and or code requirements pertaining to this product, please contact us at:  
[support@cpidaylighting.com](mailto:support@cpidaylighting.com)

Details are subject to change and should be verified with our Architectural Support Department prior to implementation, please contact us at: [support@cpidaylighting.com](mailto:support@cpidaylighting.com)



A  
3 SECTION @ SILL  
HALF SCALE

B  
3 SECTION @ HEAD  
HALF SCALE

Details are subject to change and should be verified with our Architectural Support Department prior to implementation, please contact us at: [support@cpidaylighting.com](mailto:support@cpidaylighting.com)

DYNAMIC SHADING  
INTELAGLAS SKYLIGHT  
SINGLE SLOPE



28662 N. Ballard Drive  
Lake Forest, IL 60045 USA  
T: +1 847.816.1060  
F: +1 847.816.0475

Note

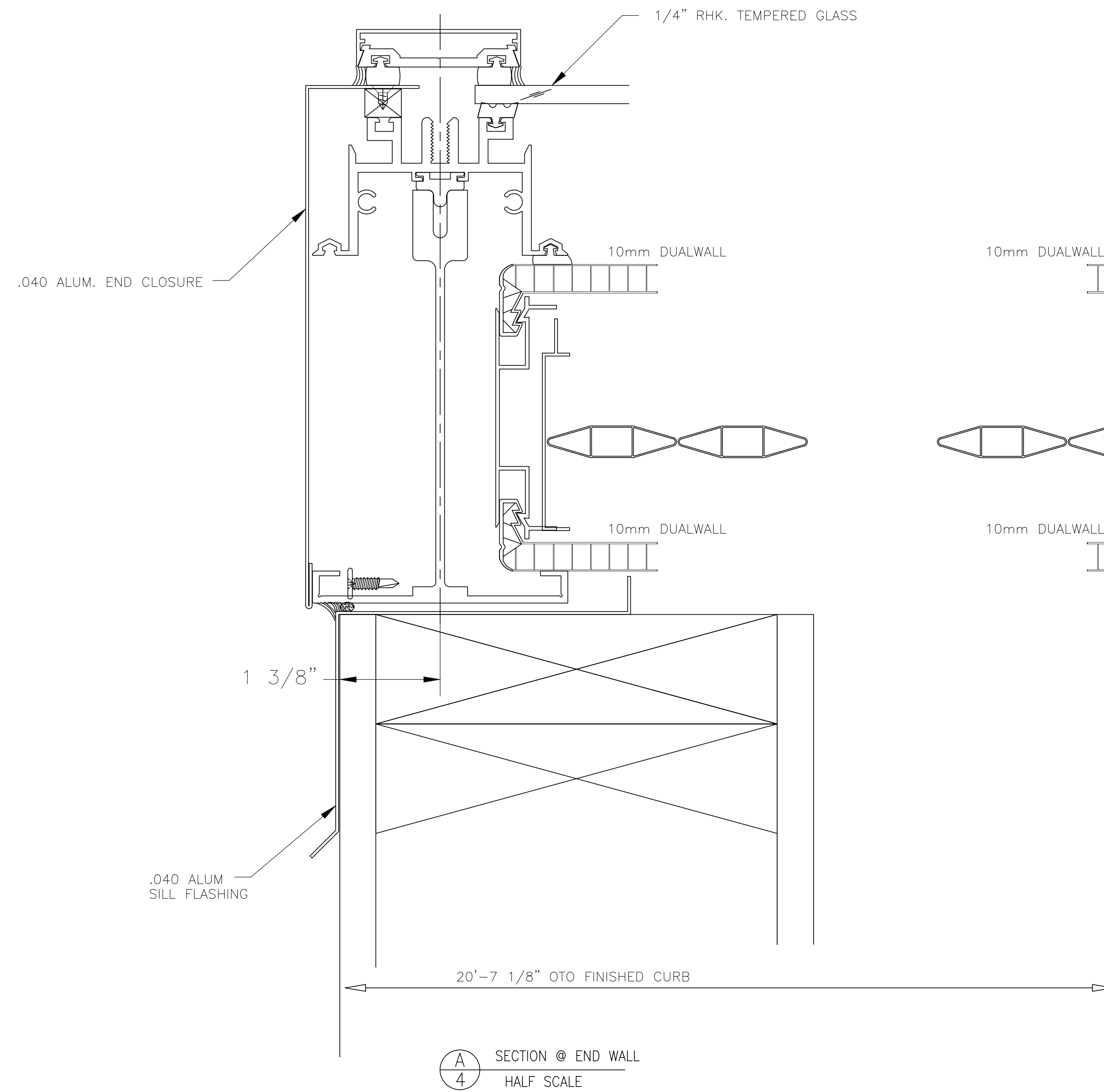
The standard details shown are for reference only.

Please contact our Architectural Support Department for job specific details and for information regarding the usage, limitations, and or code requirements pertaining to this product, please contact us at:

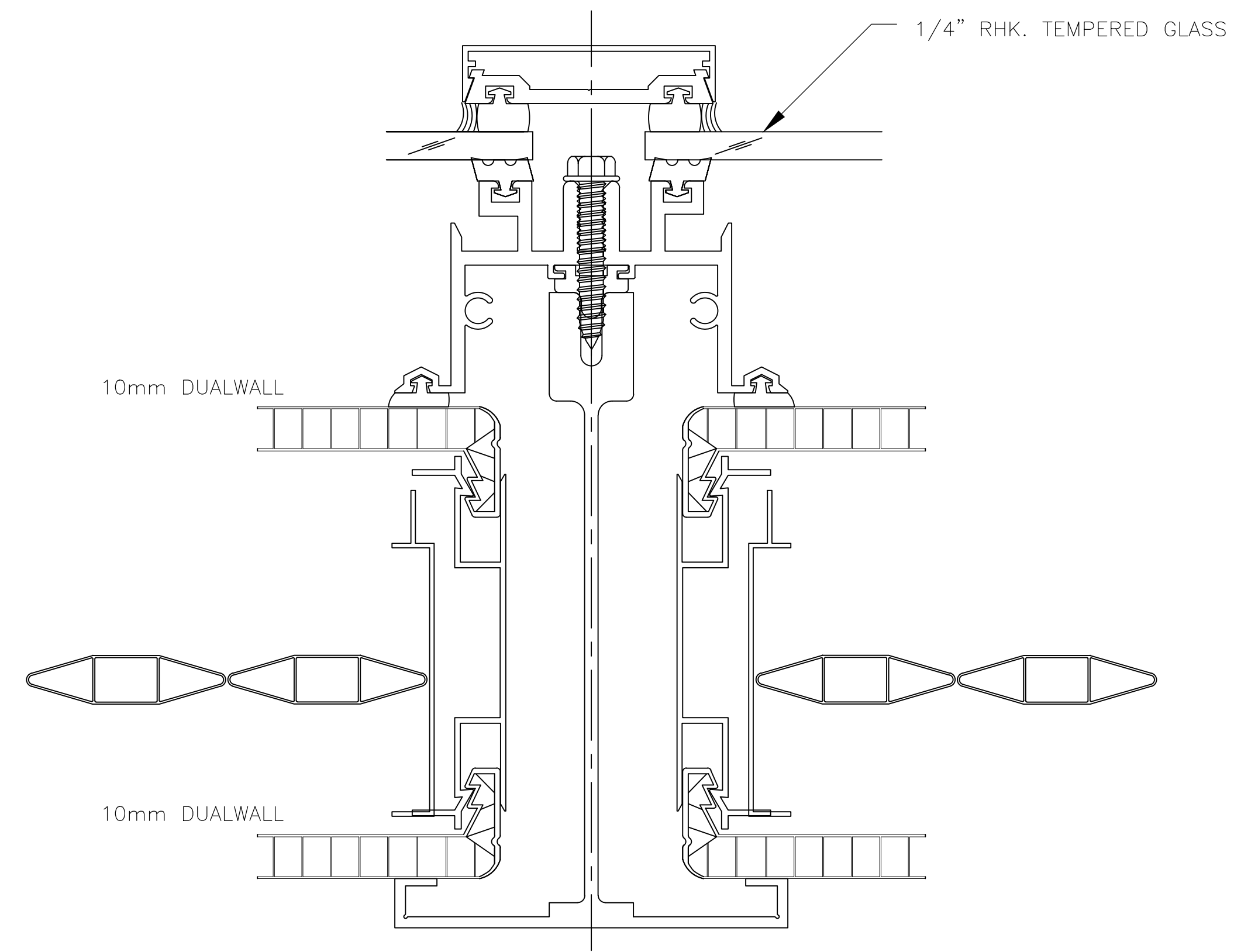
[support@cpidaylighting.com](mailto:support@cpidaylighting.com)

SHEET NO.

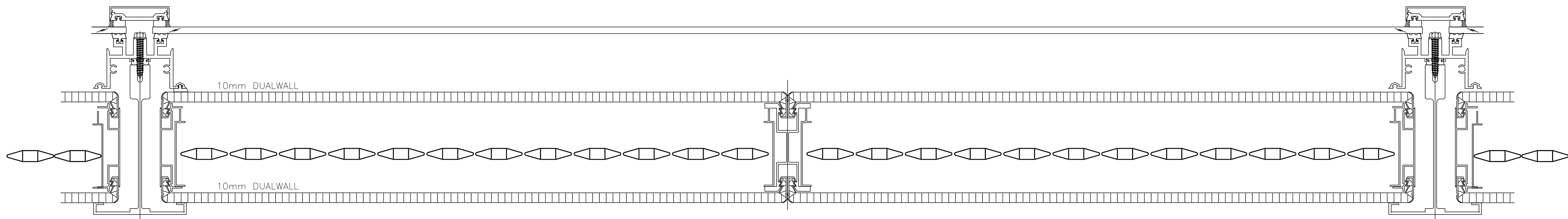
3 OF 4



A SECTION @ END WALL  
4 HALF SCALE



B SECTION @ RAFTER  
4 HALF SCALE



C SECTION THRU PANEL  
4 NOT TO SCALE

**DYNAMIC SHADING**  
**INTELAGLAS SKYLIGHT**  
SINGLE SLOPE



28662 N. Ballard Drive  
Lake Forest, IL 60045 USA  
T: +1 847.816.1060  
F: +1 847.816.0475

**Note**  
The standard details shown are for reference only. Please contact our Architectural Support Department for job specific details and for information regarding the usage, limitations, and or code requirements pertaining to this product, please contact us at: [support@cpidaylighting.com](mailto:support@cpidaylighting.com)

Details are subject to change and should be verified with our Architectural Support Department prior to implementation, please contact us at: [support@cpidaylighting.com](mailto:support@cpidaylighting.com)