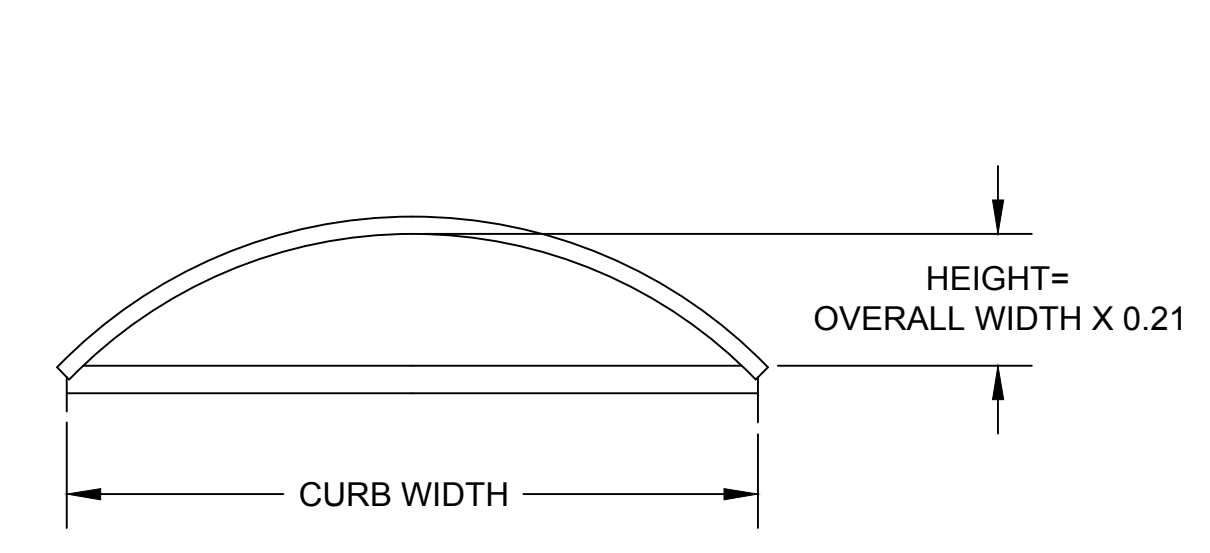
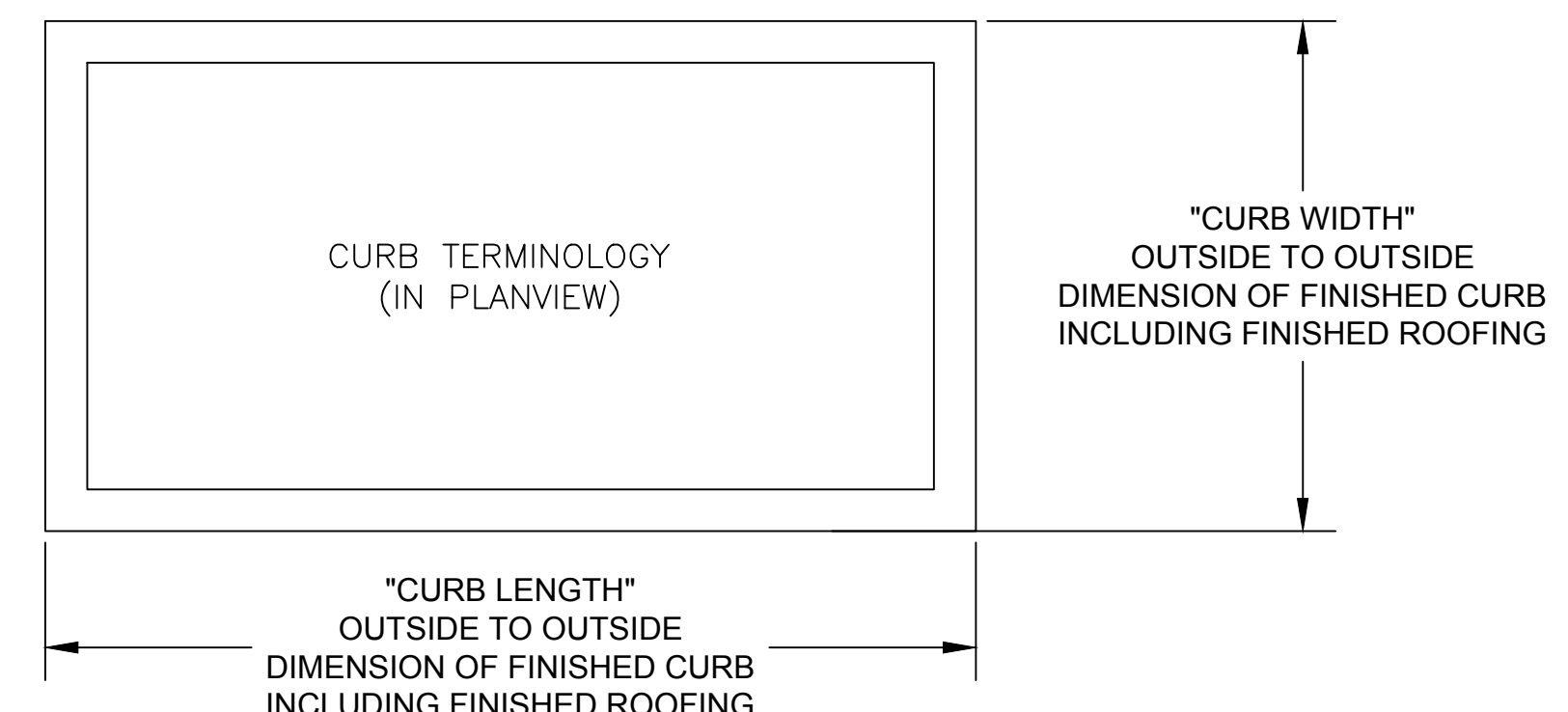
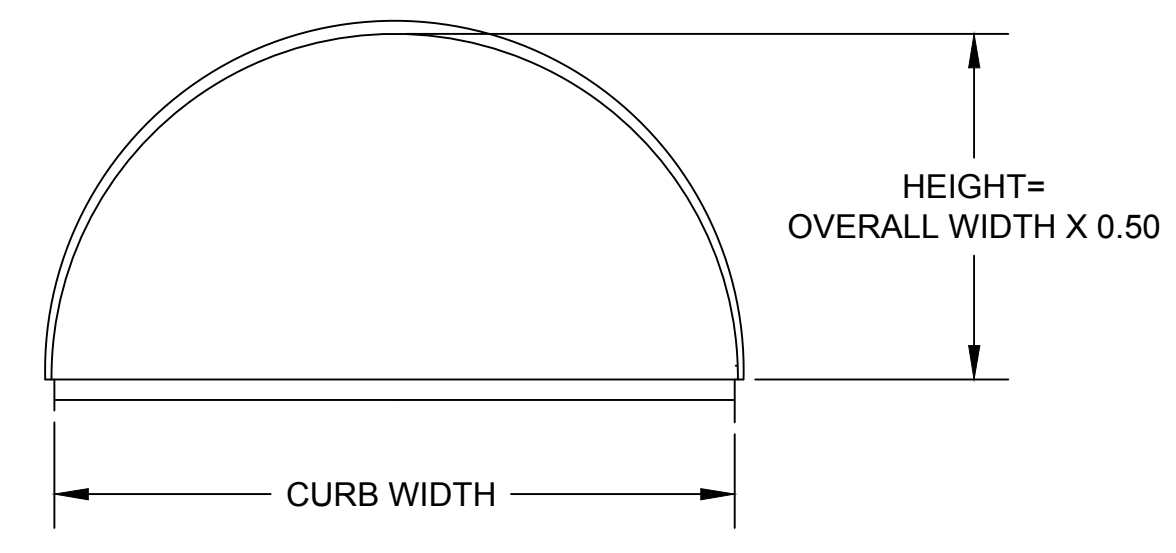


PLANVIEW



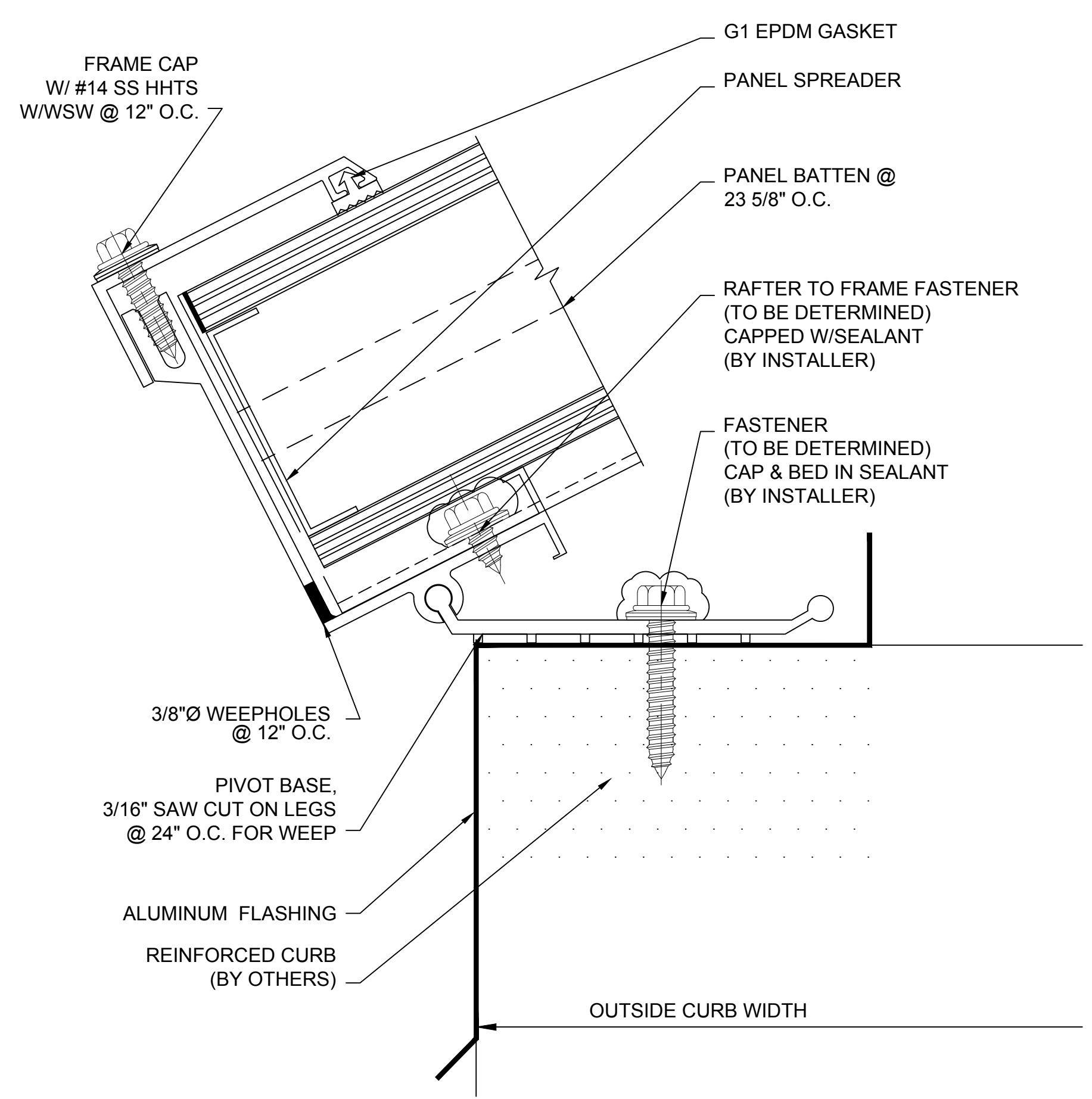
LOW-RISE ELEVATION



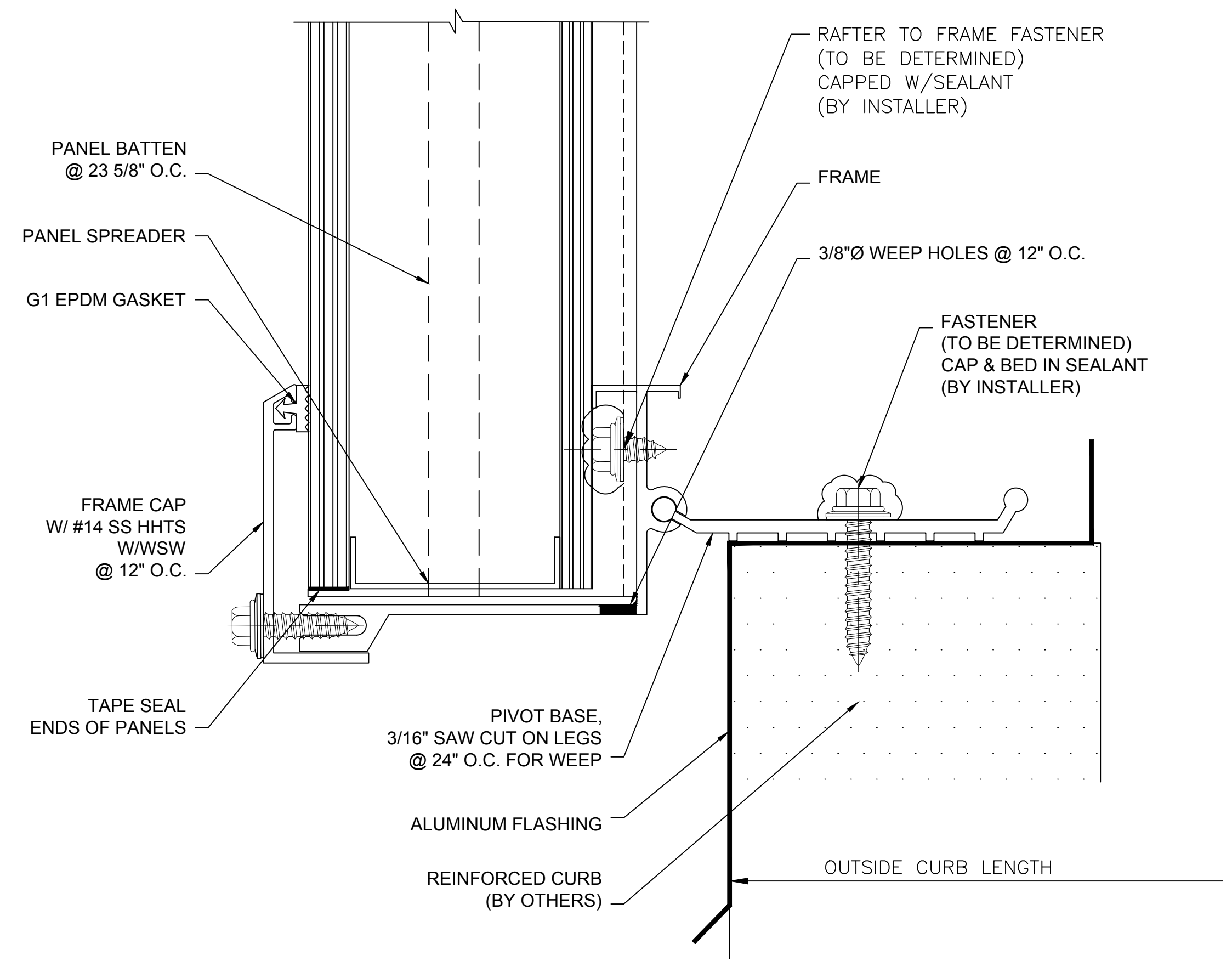
HALF ROUND ELEVATION

SYSTEM IS SHOWN AS 2.75\"/>

NOMINAL HEIGHT:  
FROM TOP OF CURB TO  
BOTTOM OF CPI RAFTER AT  
APEX OF SKYLIGHT



**A** SECTION @ SILL (LOW-RISE)  
2.75\"/>



**B** SECTION @ SILL (HALF ROUND)  
2.75\"/>

Details are subject to change and should be verified with our Architectural Support Department prior to implementation, please contact us at: [support@cpidaylighting.com](mailto:support@cpidaylighting.com)

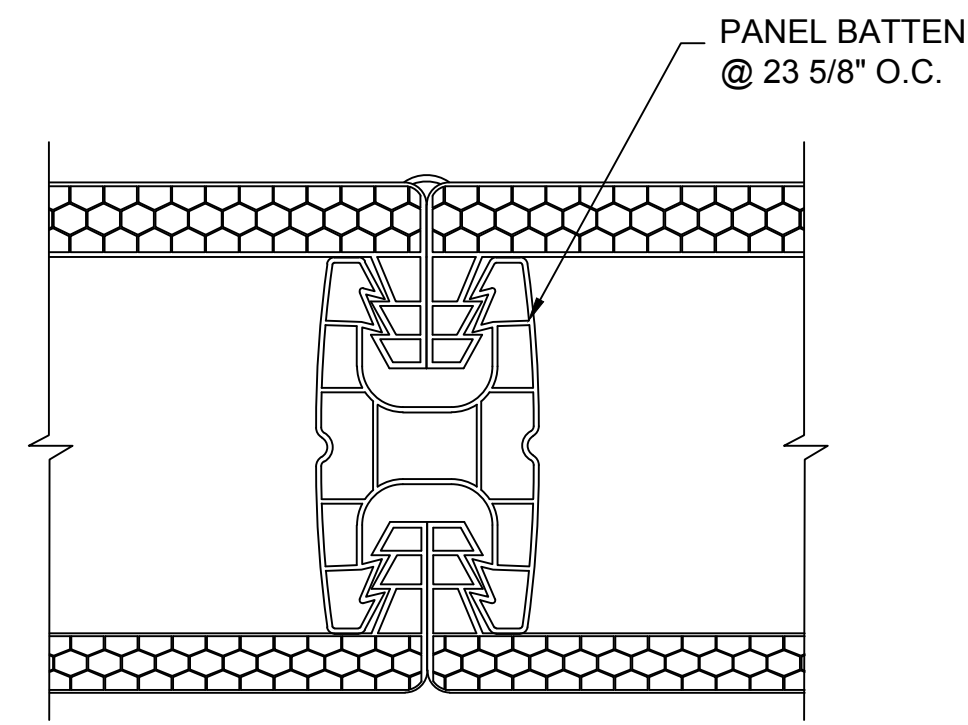
**CUSTOM SKYLIGHTS**  
**QUADWALL**  
VAULT - SYSTEM (2.75" OR 4") DETERMINED BY DESIGN LOADS



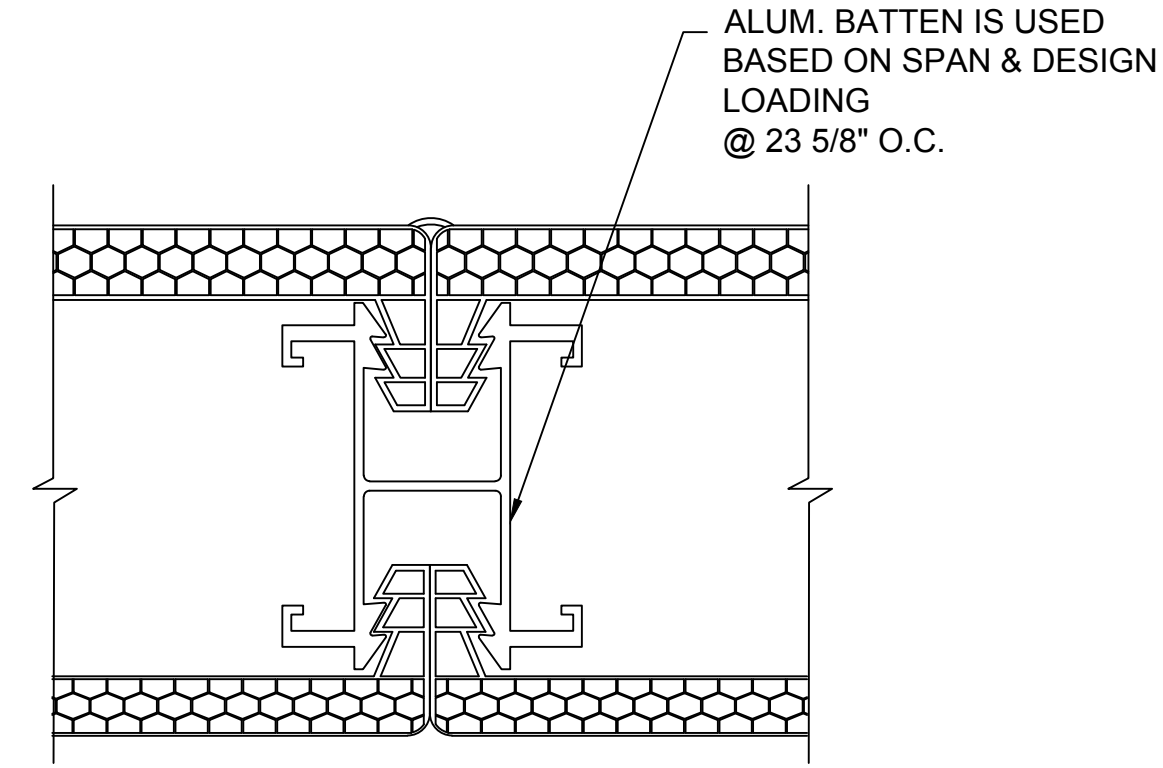
28662 N. Ballard Drive  
Lake Forest, IL 60045 USA  
T: +1 847.816.1060  
F: +1 847.816.0475

**Note**  
The standard details shown are for reference only.

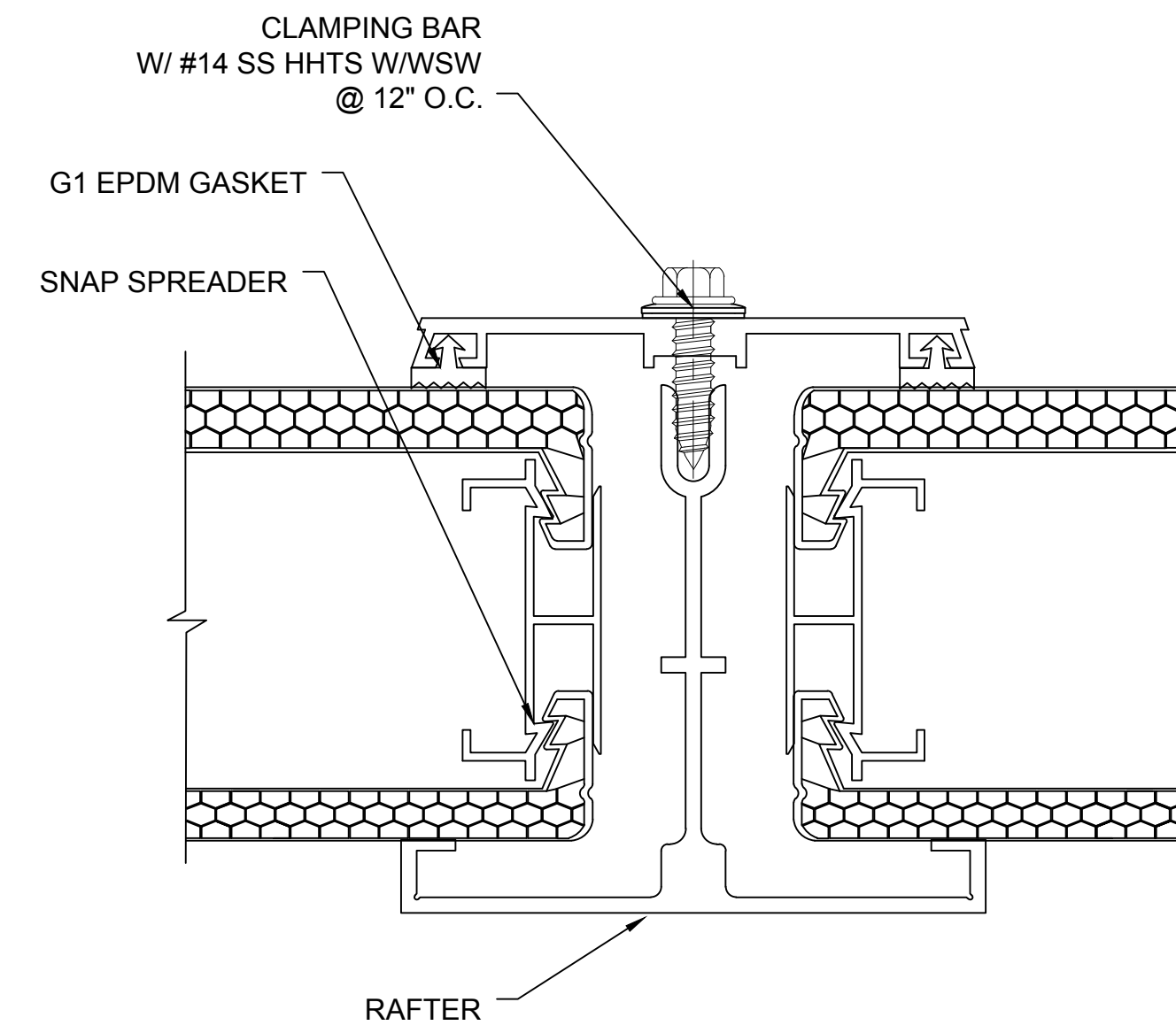
Please contact our Architectural Support Department for job specific details and for information regarding the usage, limitations, and or code requirements pertaining to this product, please contact us at: [support@cpidaylighting.com](mailto:support@cpidaylighting.com)



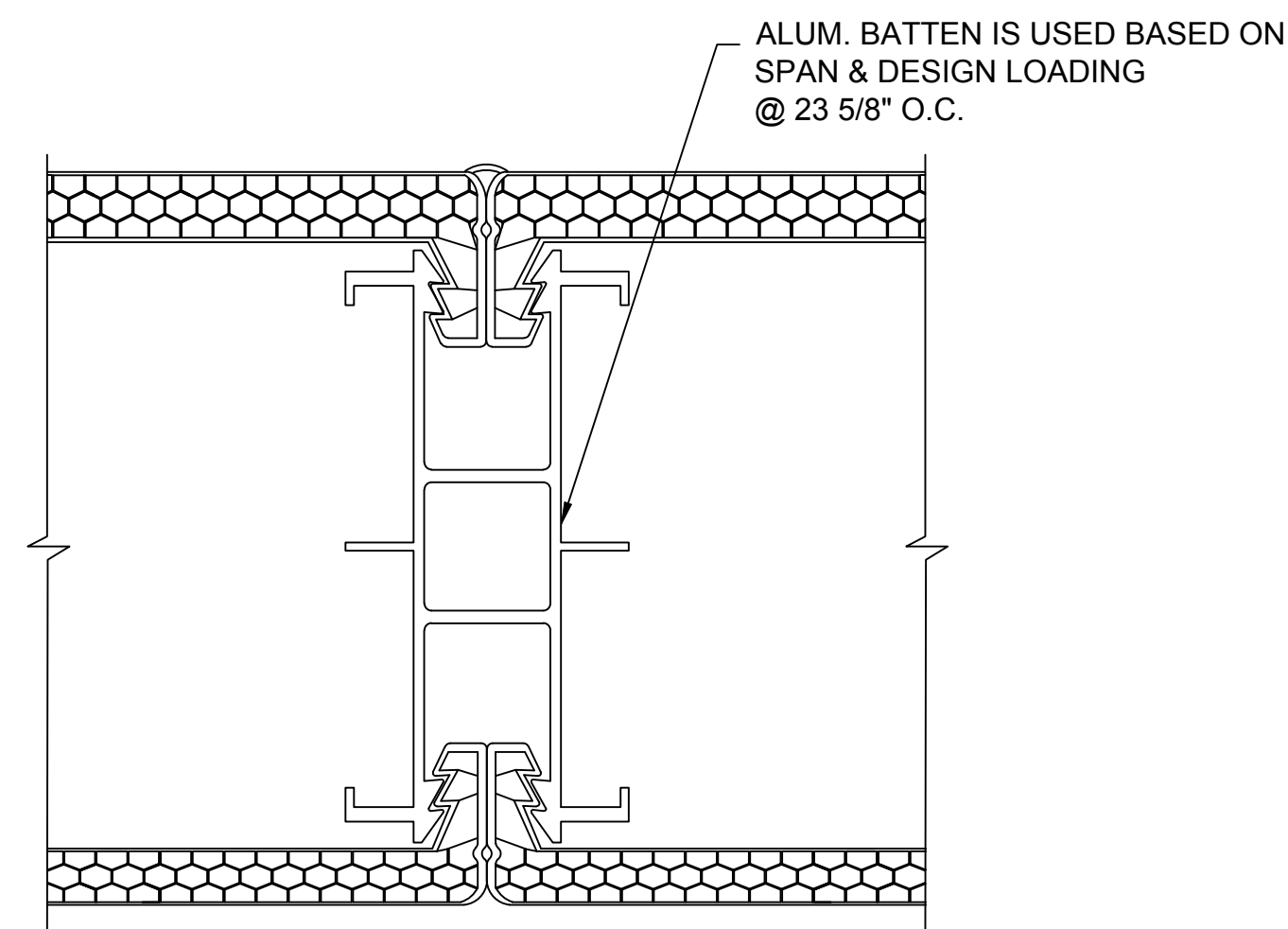
**J** SECTION @ BATTEN  
2.75" QUADWALL SYSTEM



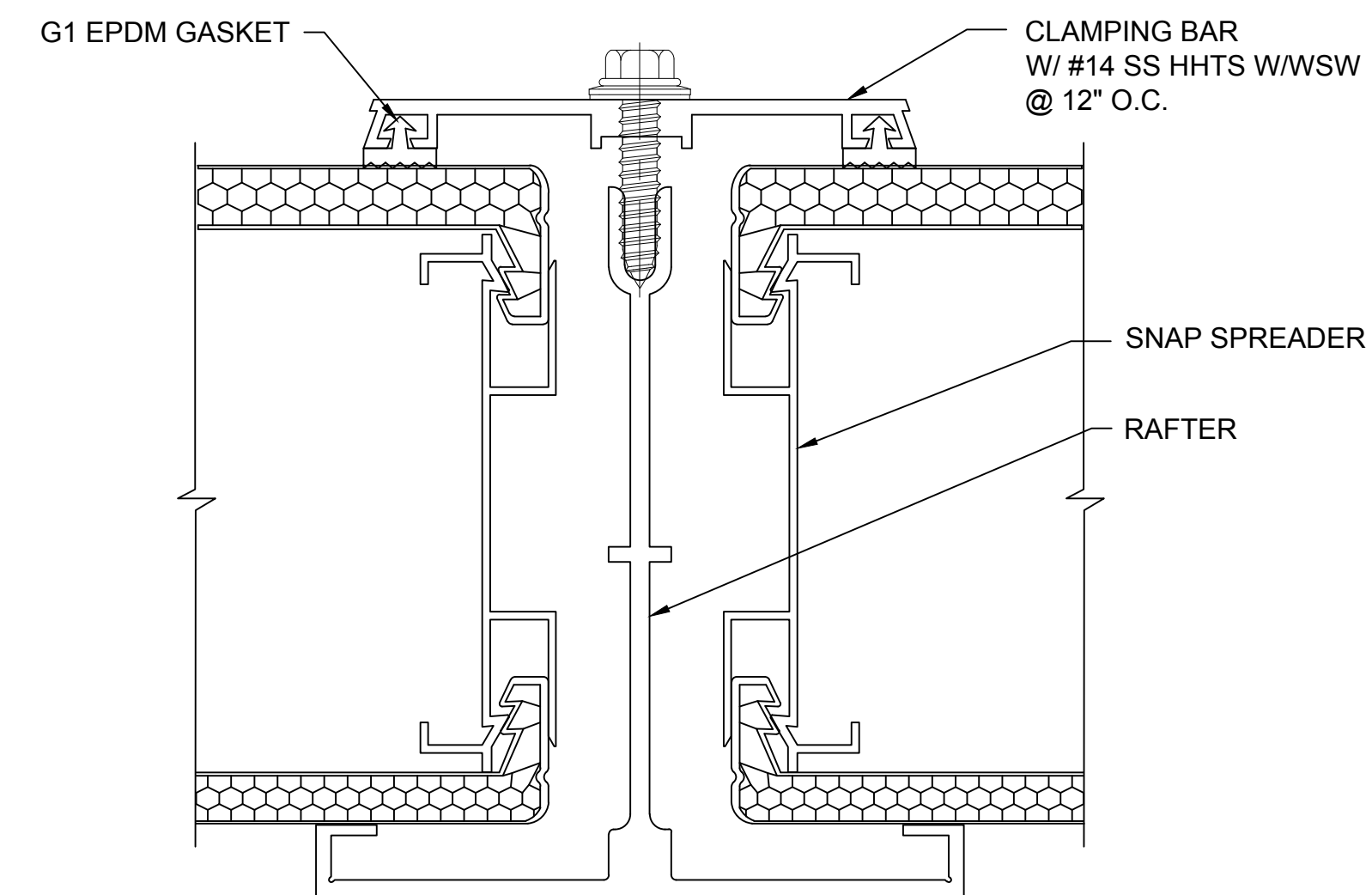
**J<sub>2</sub>** SECTION @ BATTEN  
2.75" QUADWALL SYSTEM



**K** SECTION @ RAFTER  
2.75" QUADWALL SYSTEM



**J<sub>3</sub>** SECTION @ BATTEN  
4" QUADWALL SYSTEM



**K<sub>2</sub>** SECTION @ RAFTER  
4" QUADWALL SYSTEM

**CUSTOM SKYLIGHTS**  
**QUADWALL**  
VAULT - SYSTEM (2.75" OR 4") DETERMINED BY DESIGN LOADS



28662 N. Ballard Drive  
Lake Forest, IL 60045 USA

T: +1 847.816.1060  
F: +1 847.816.0475

**Note**

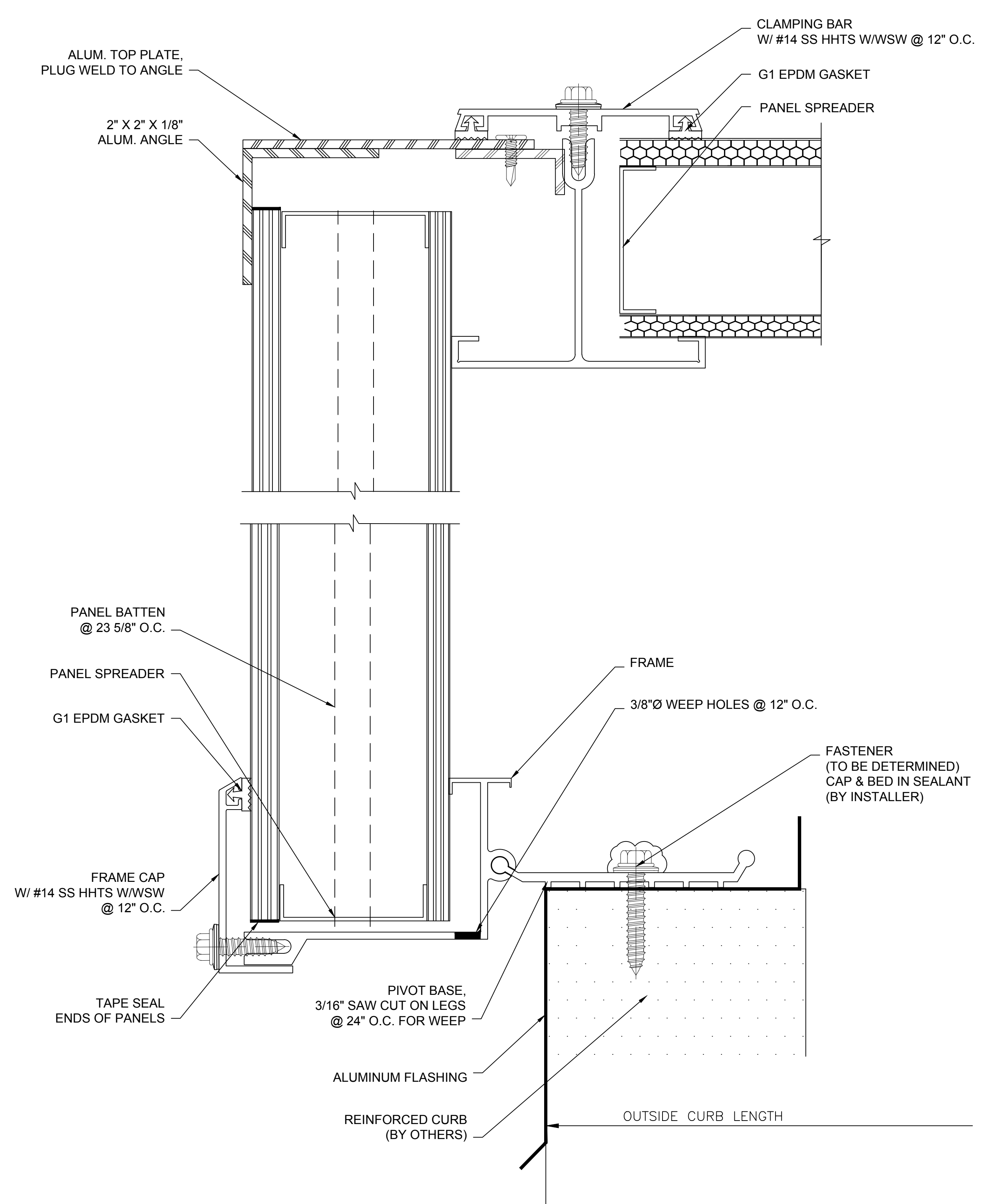
The standard details shown are for reference only.

Please contact our Architectural Support Department for job specific details and for information regarding the usage, limitations, and or code requirements pertaining to this product, please contact us at:

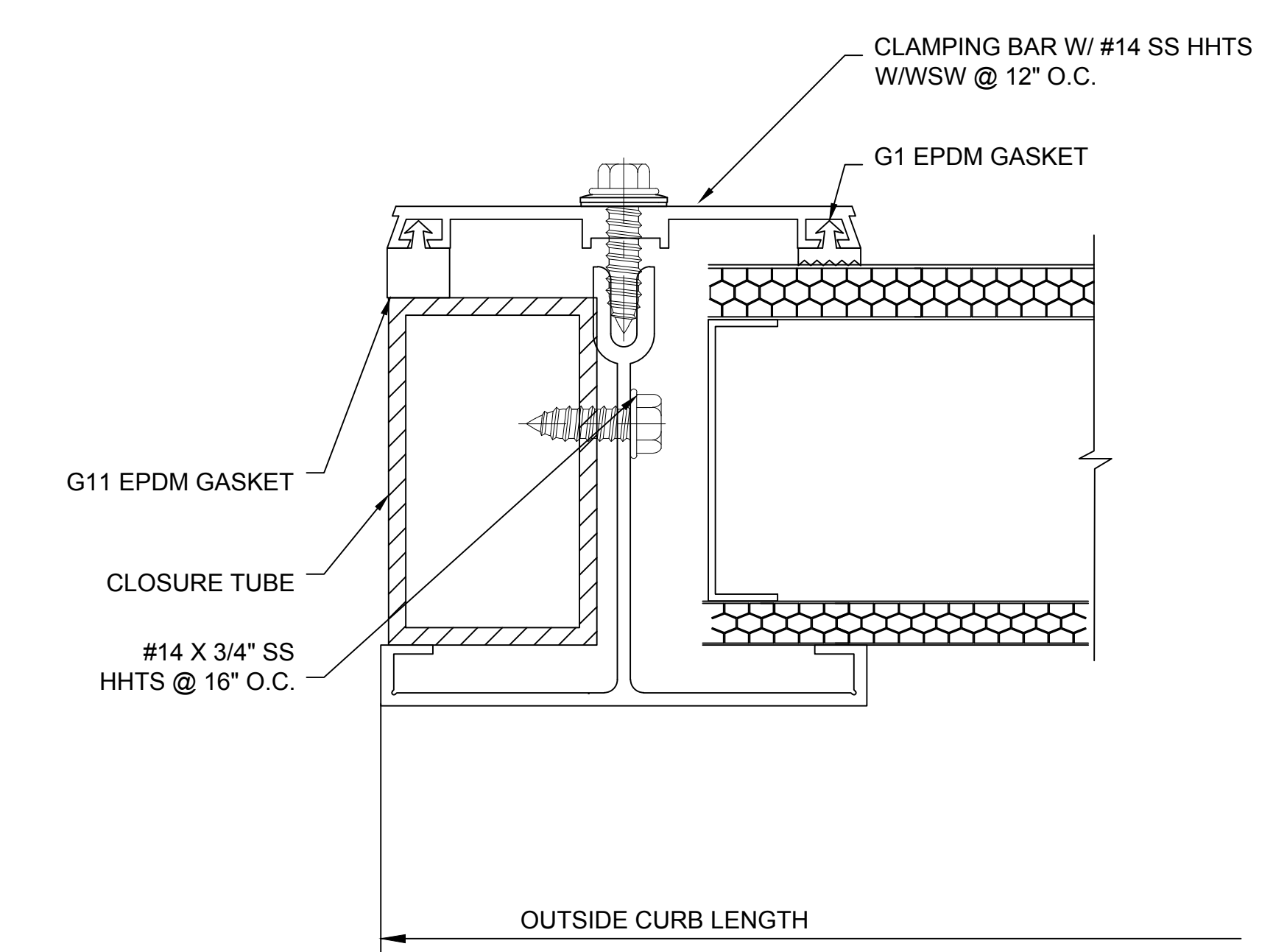
support@cpidaylighting.com

Details are subject to change and should be verified with our Architectural Support Department prior to implementation, please contact us at: support@cpidaylighting.com

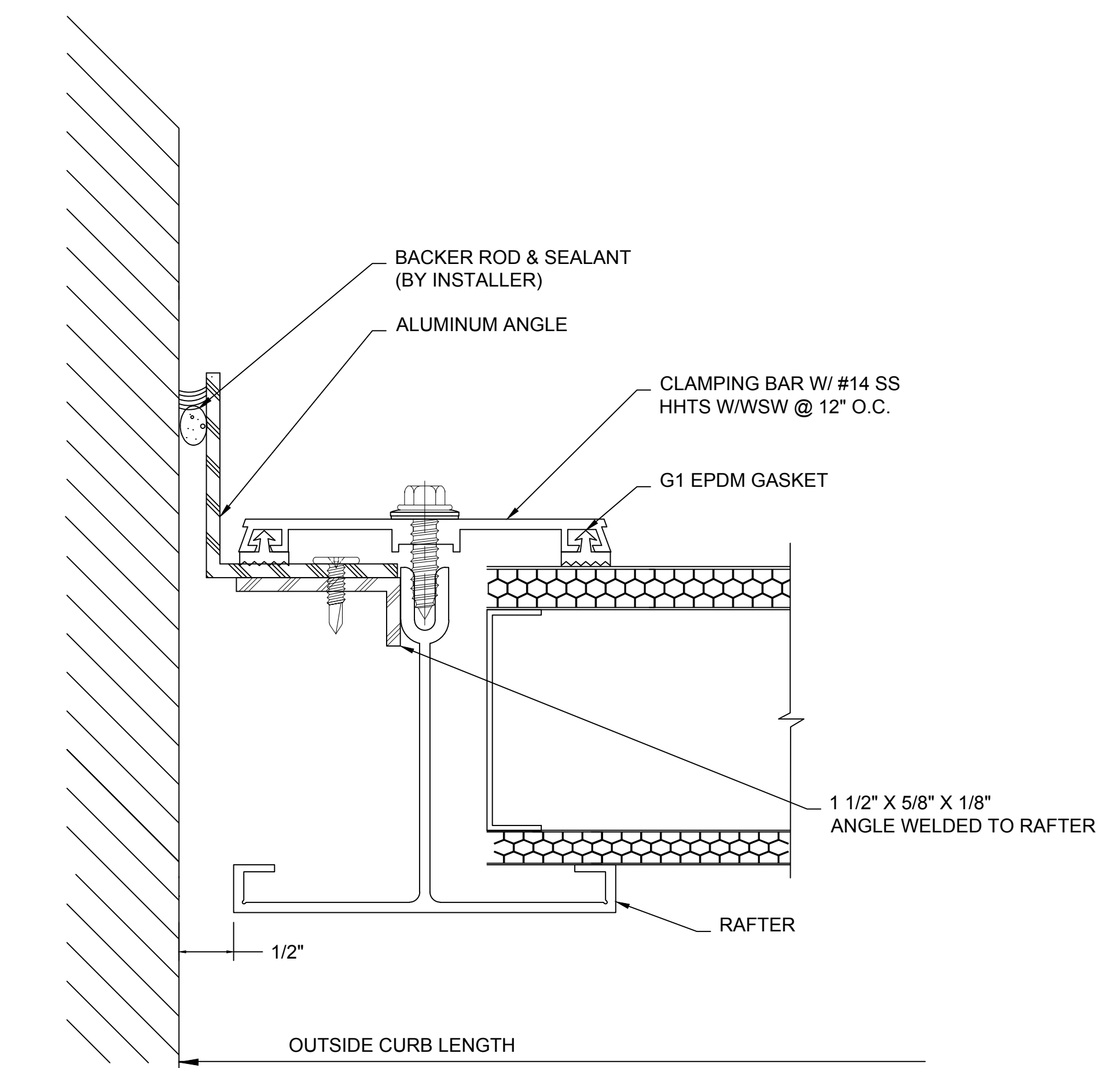
SHEET NO.  
**2 OF 3**



**SECTION @ GABLE END**  
 2.75\"/>



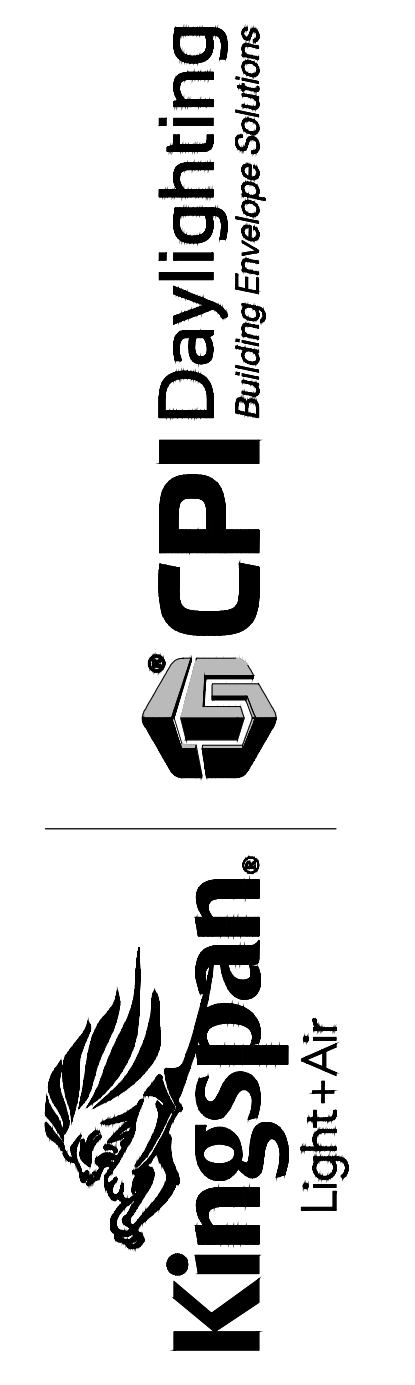
**SECTION @ OPEN END**  
 2.75\"/>



**SECTION @ WALL END**  
 2.75\"/>

Details are subject to change and should be verified with our Architectural Support Department prior to implementation, please contact us at: [support@cpidaylighting.com](mailto:support@cpidaylighting.com)

**CUSTOM SKYLIGHTS**  
**QUADWALL**  
 VAULT - SYSTEM (2.75" OR 4") DETERMINED BY DESIGN LOADS



28662 N. Ballard Drive  
 Lake Forest, IL 60045 USA  
 T: +1 847.816.1060  
 F: +1 847.816.0475

**Note**  
 The standard details shown are for reference only.  
 Please contact our Architectural Support Department for job specific details and for information regarding the usage, limitations, and or code requirements pertaining to this product, please contact us at: [support@cpidaylighting.com](mailto:support@cpidaylighting.com)