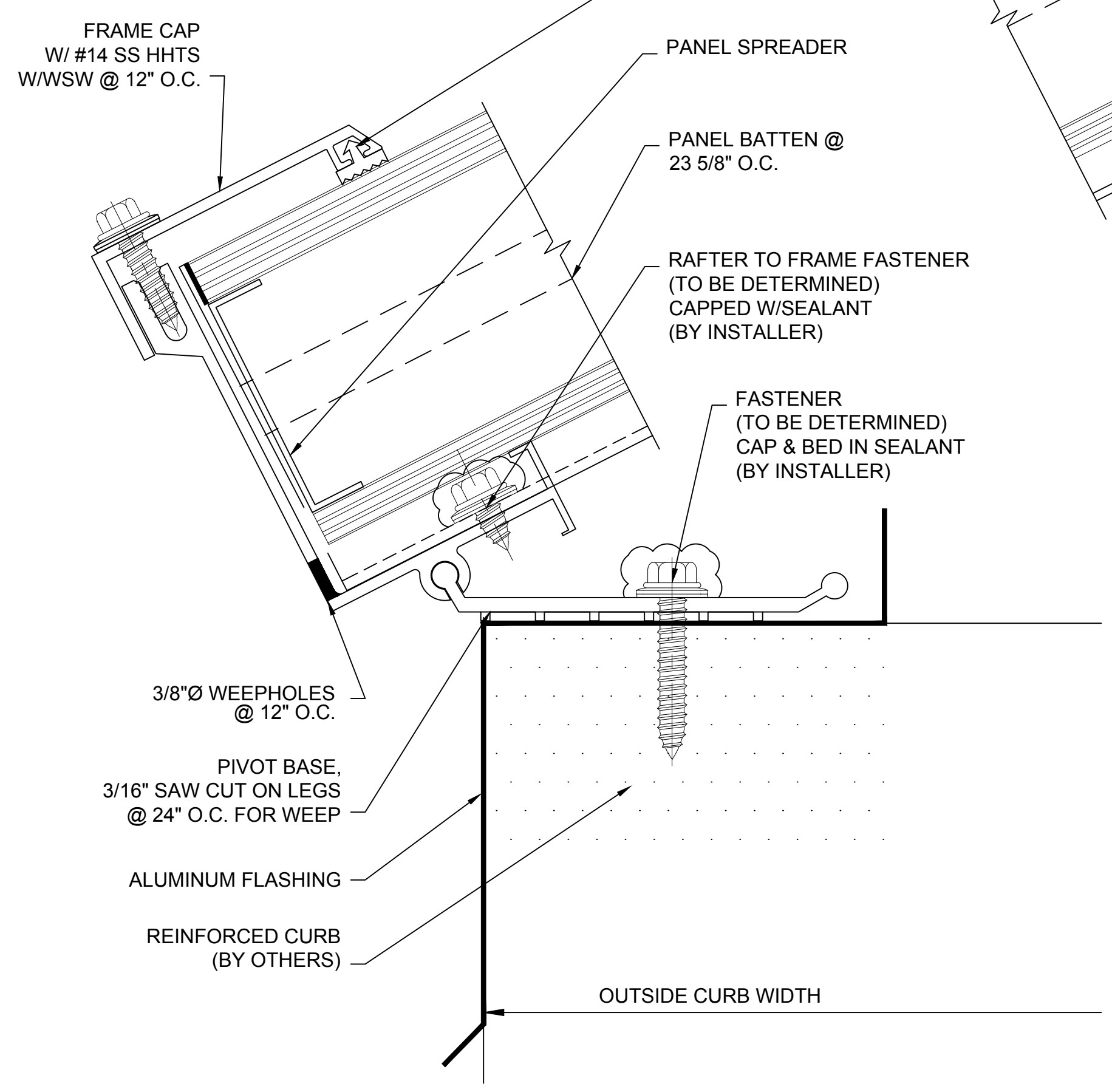
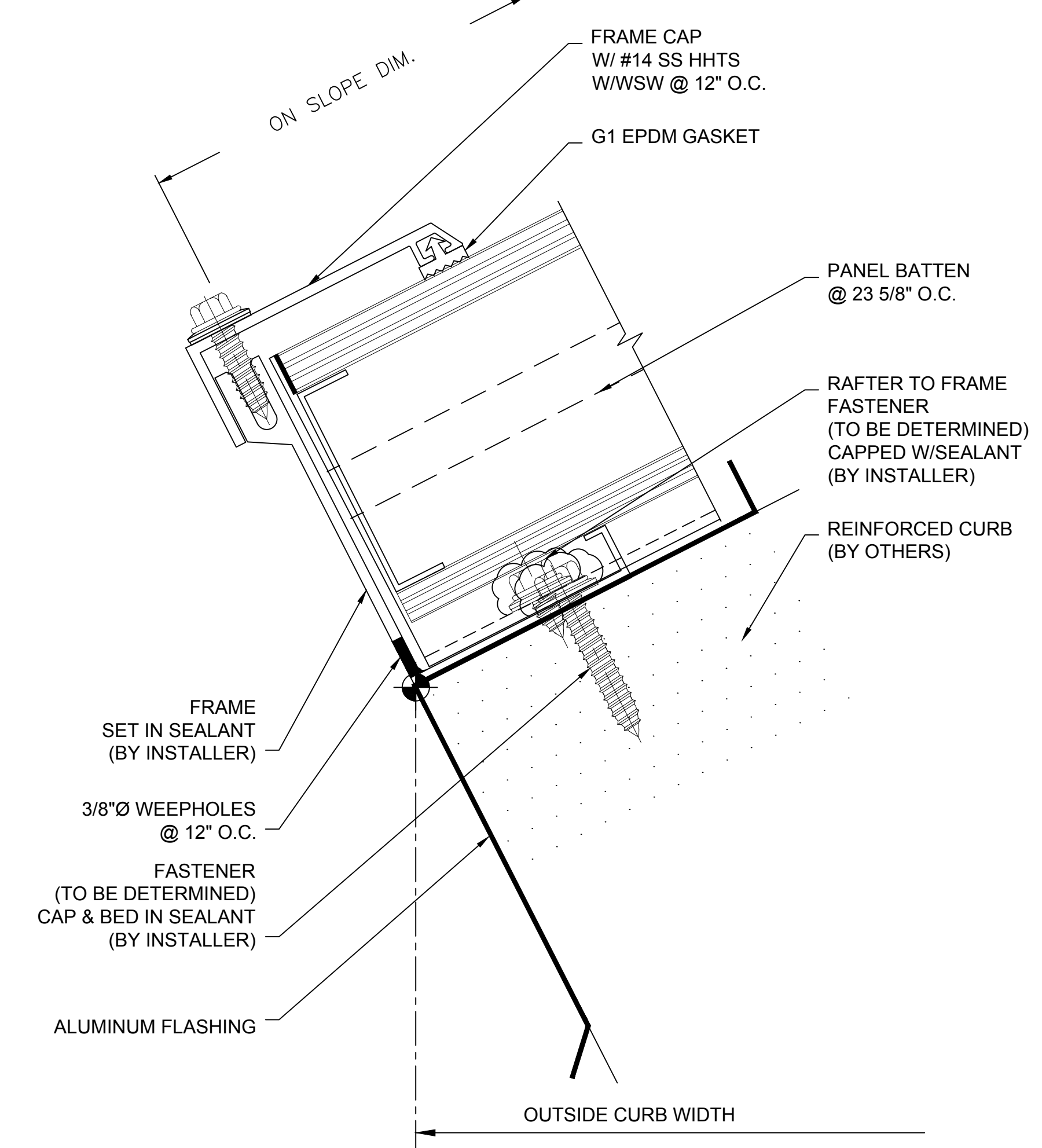


M SECTION @ RIDGE
2.75" QUADWALL SYSTEM
(4" QUADWALL SYSTEM SIMILAR)

NOTE: SECTION @ HIP SIMILAR

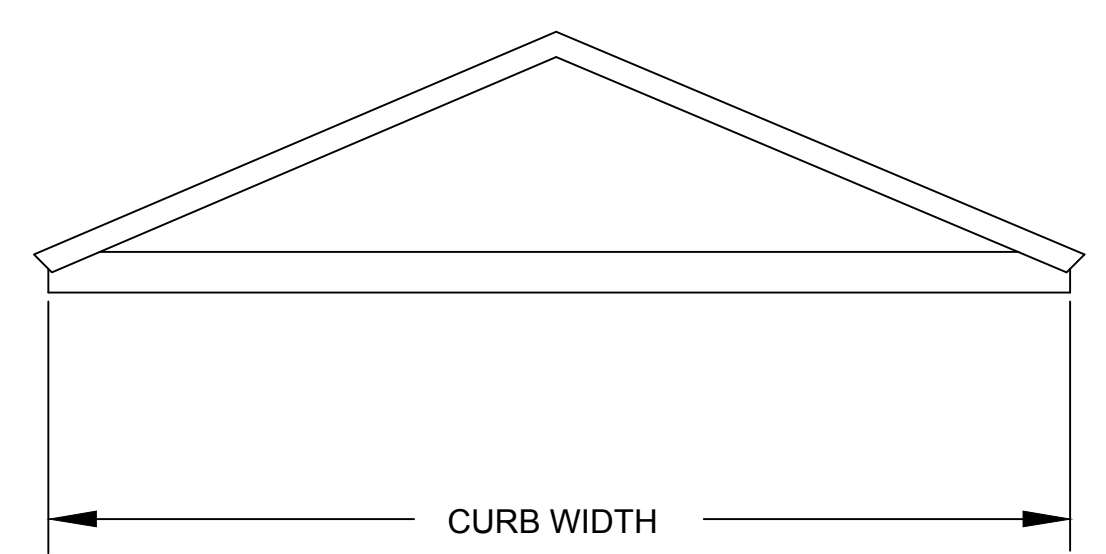
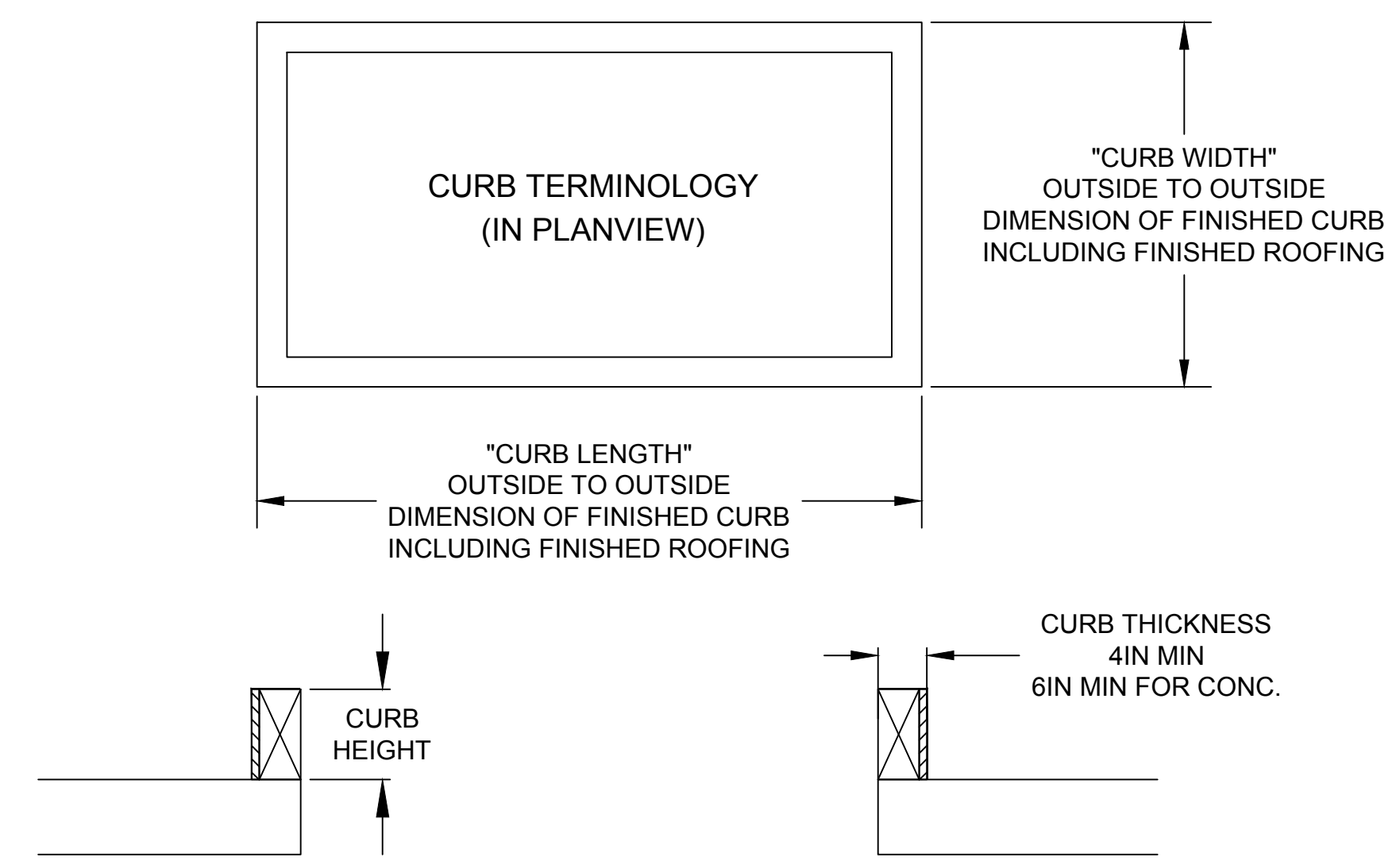


A SECTION @ SILL (LOW-RISE)
2.75" QUADWALL SYSTEM
(4" QUADWALL SYSTEM SIMILAR)



C SECTION @ SILL (TILTED CURB)
2.75" QUADWALL SYSTEM
(4" QUADWALL SYSTEM SIMILAR)

NOTE: FOR SADDLE RIDGE ONLY



ELEVATION

SYSTEM IS SHOWN AS 2.75" QUADWALL PANEL THICKNESS. A 4" QUADWALL PANEL THICKNESS SYSTEM IS USED BASED ON SPAN AND LOADING CONSIDERATIONS.

NOTE:
RECOMMENDED MINIMUM PITCH 2:12.
FOR INSTALLATIONS REQUIRING A LESSER PITCH PLEASE CONTACT OUR ARCHITECTURAL SUPPORT DEPARTMENT

Details are subject to change and should be verified with our Architectural Support Department prior to implementation, please contact us at: support@cpidaylighting.com

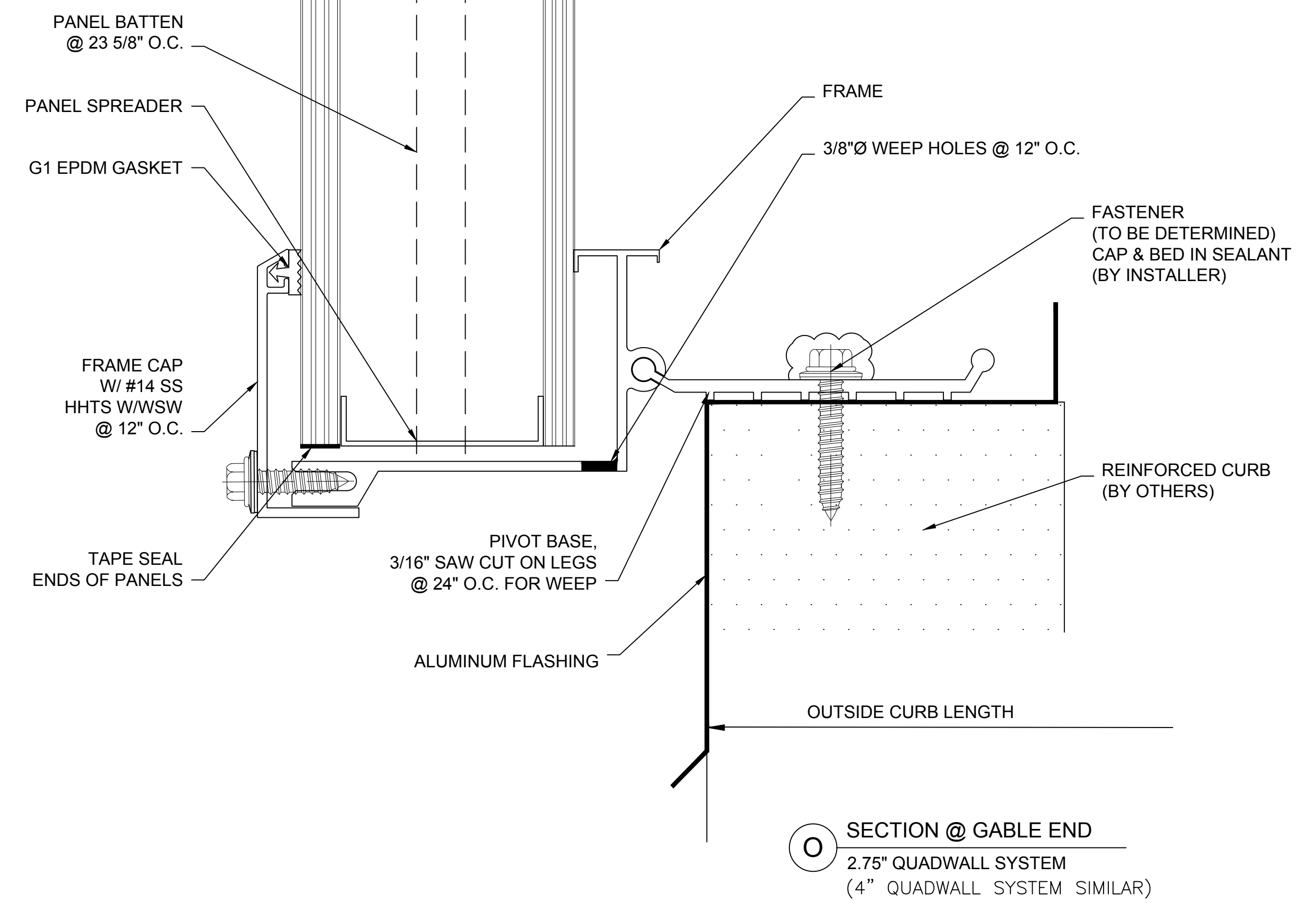
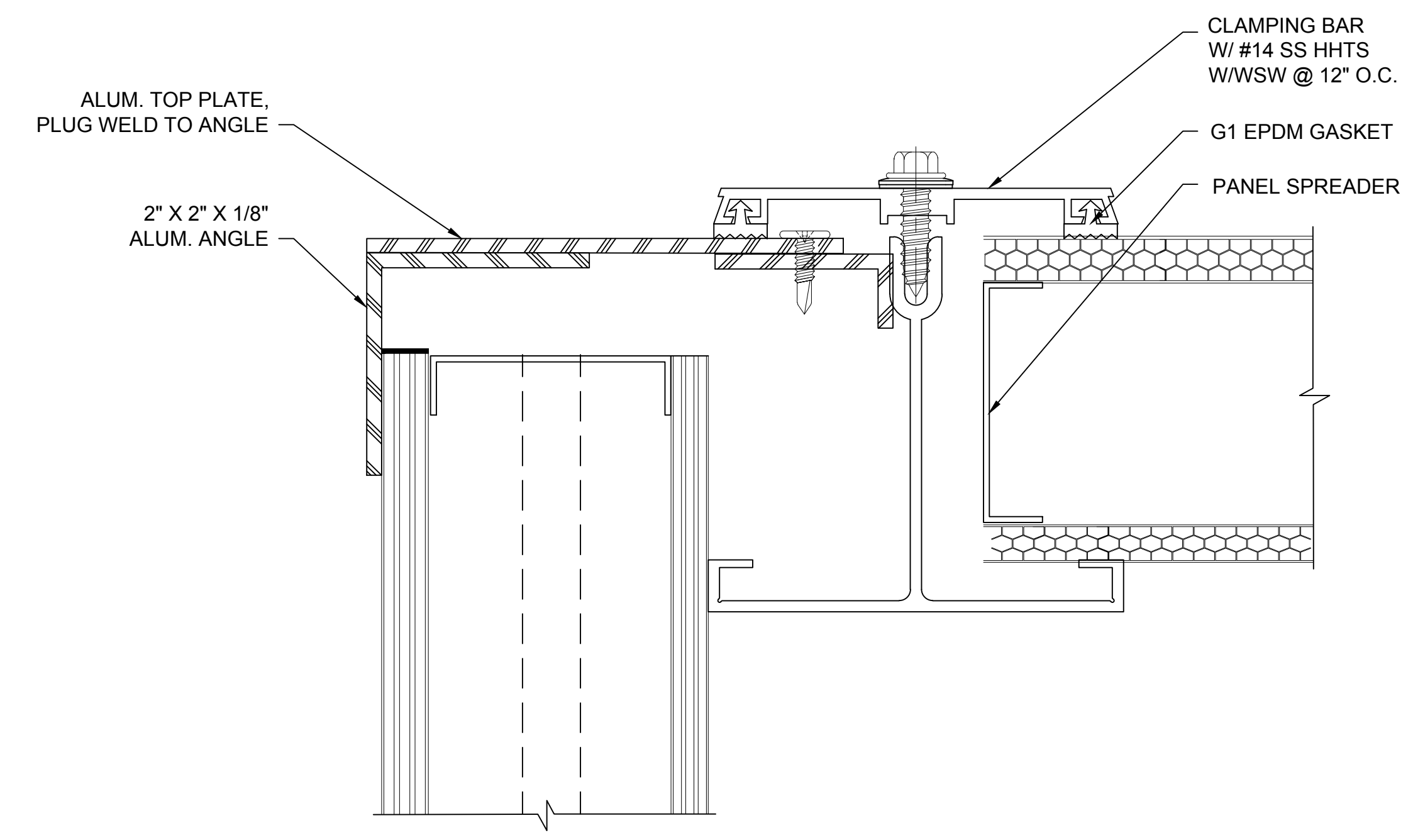
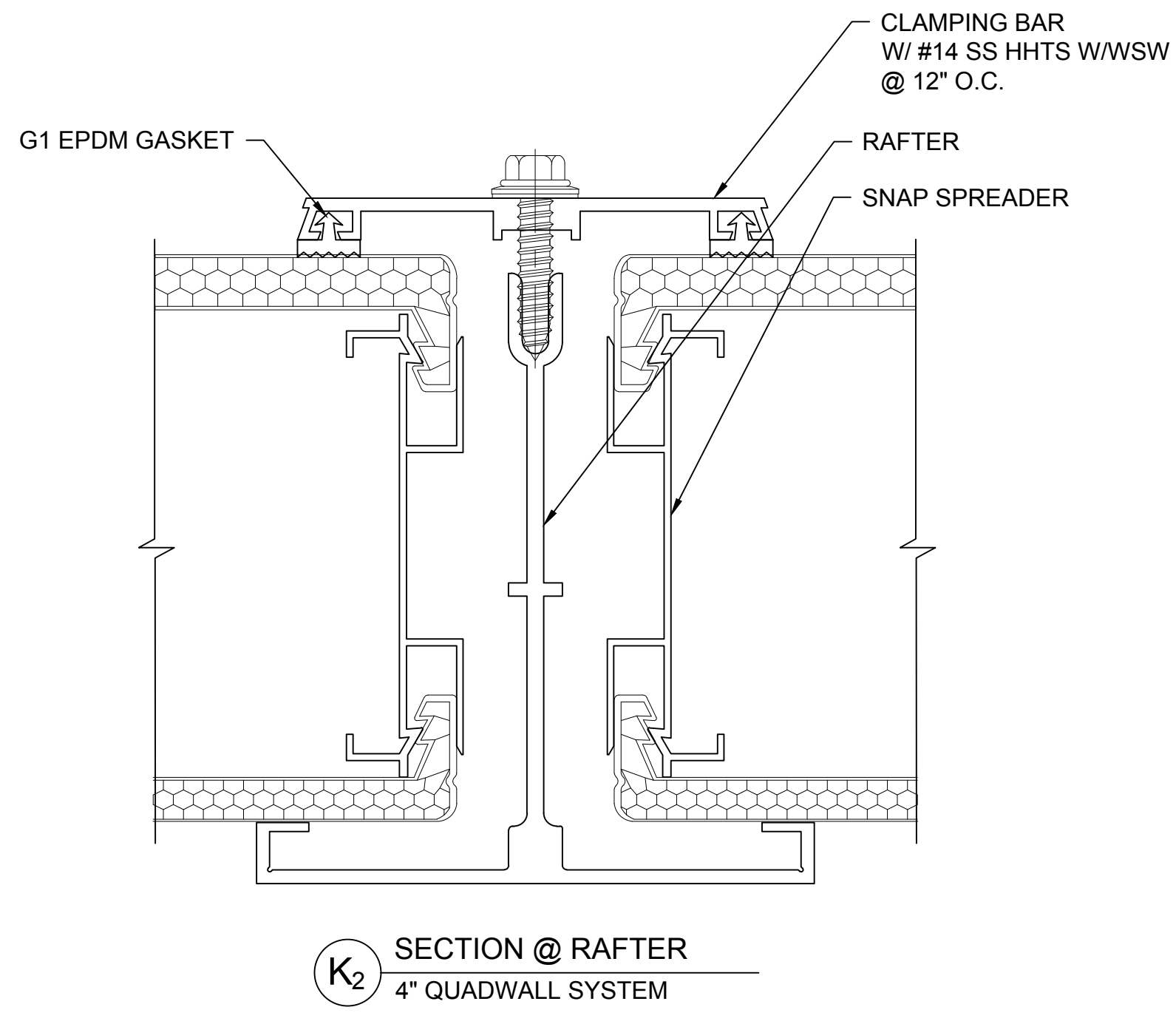
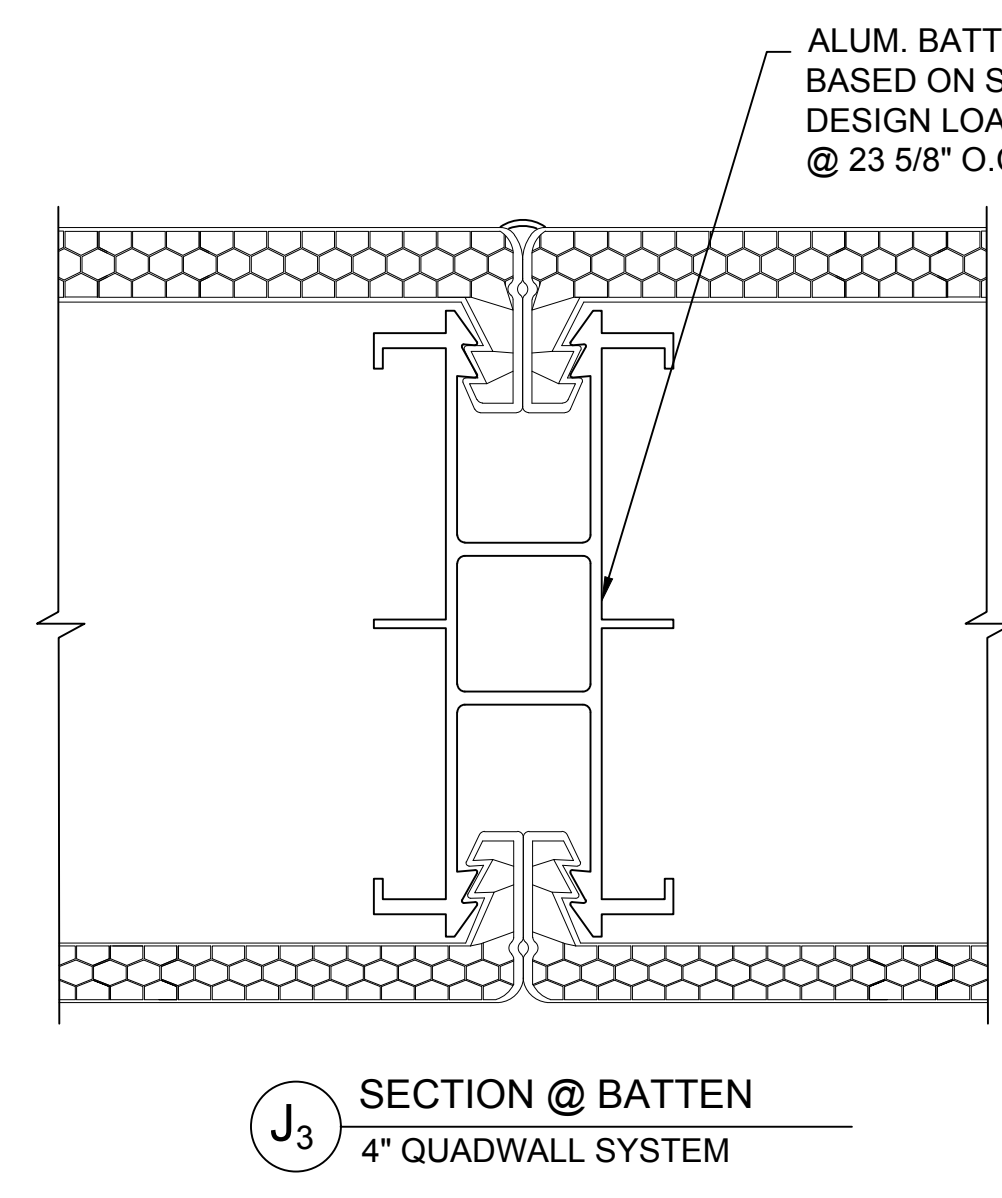
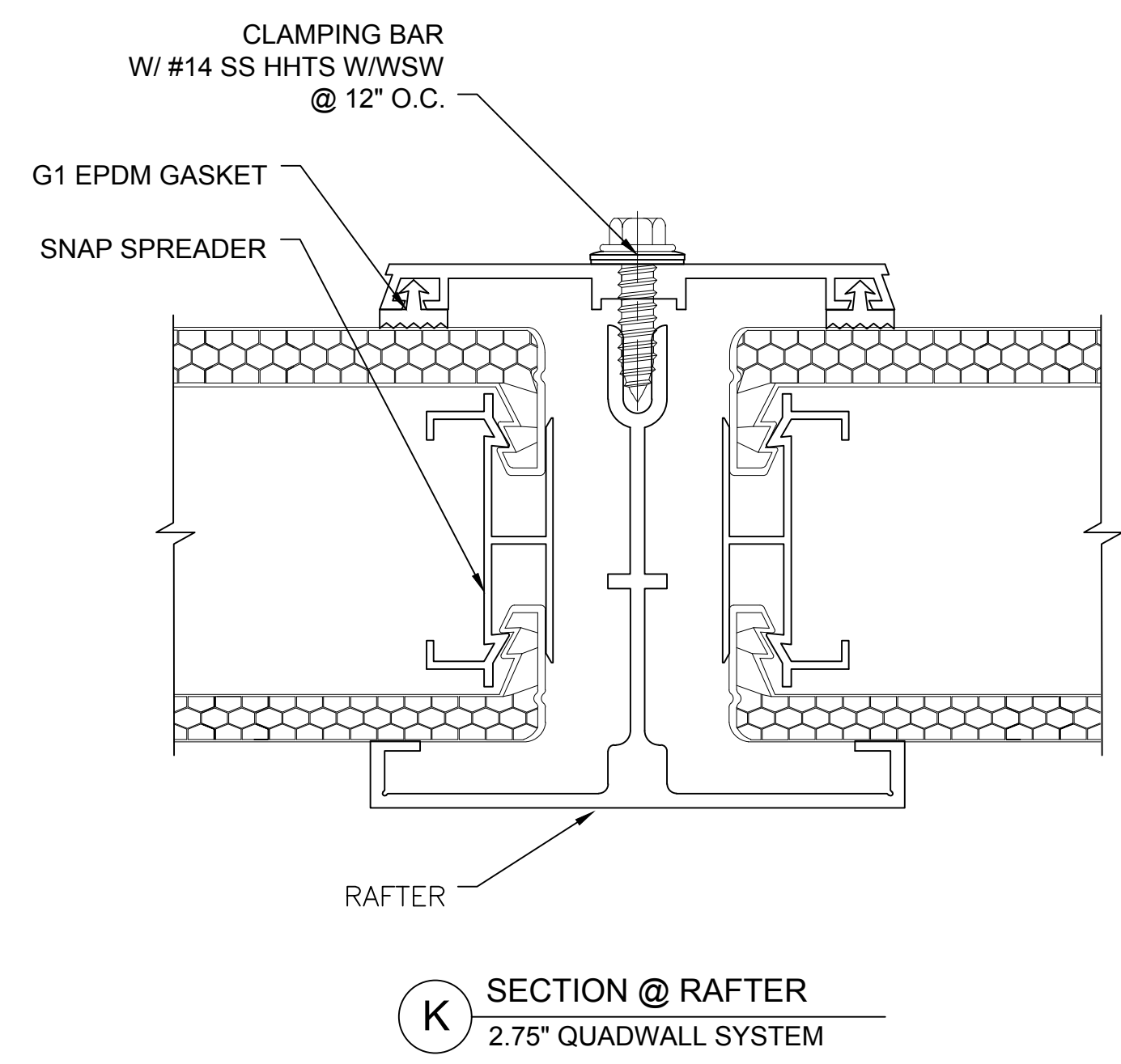
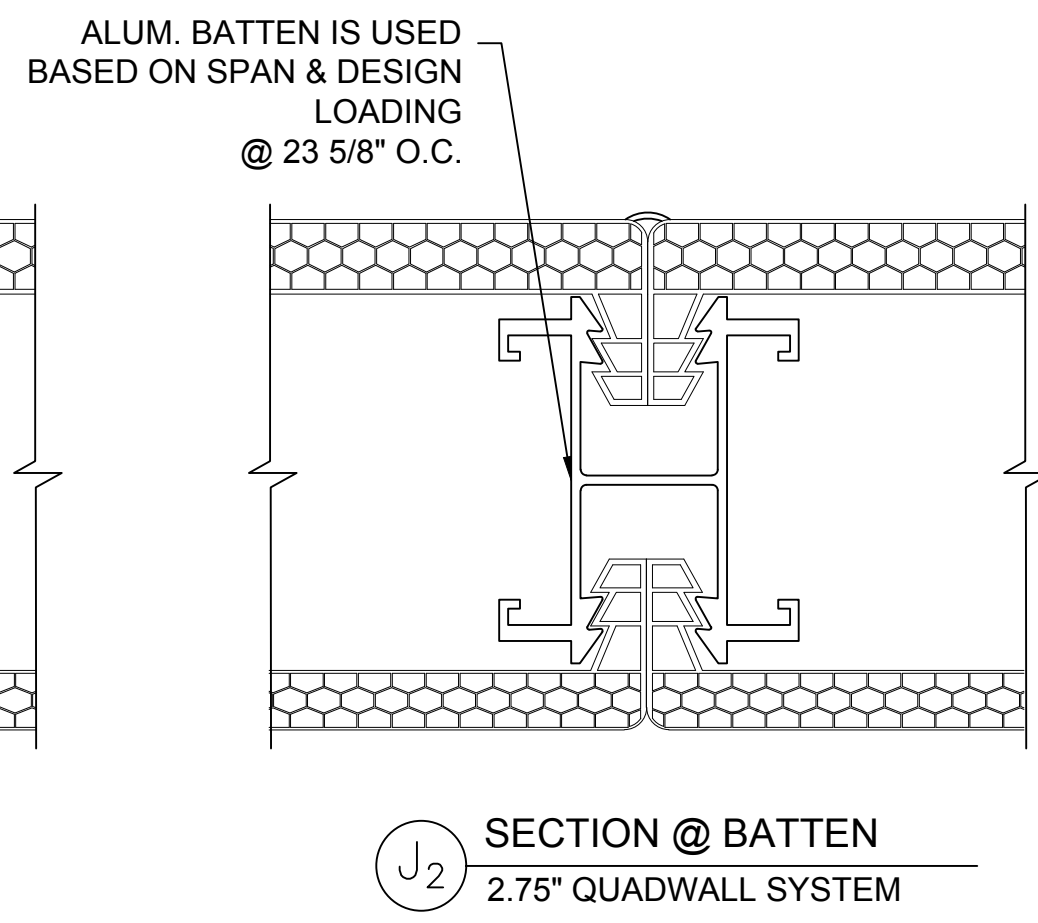
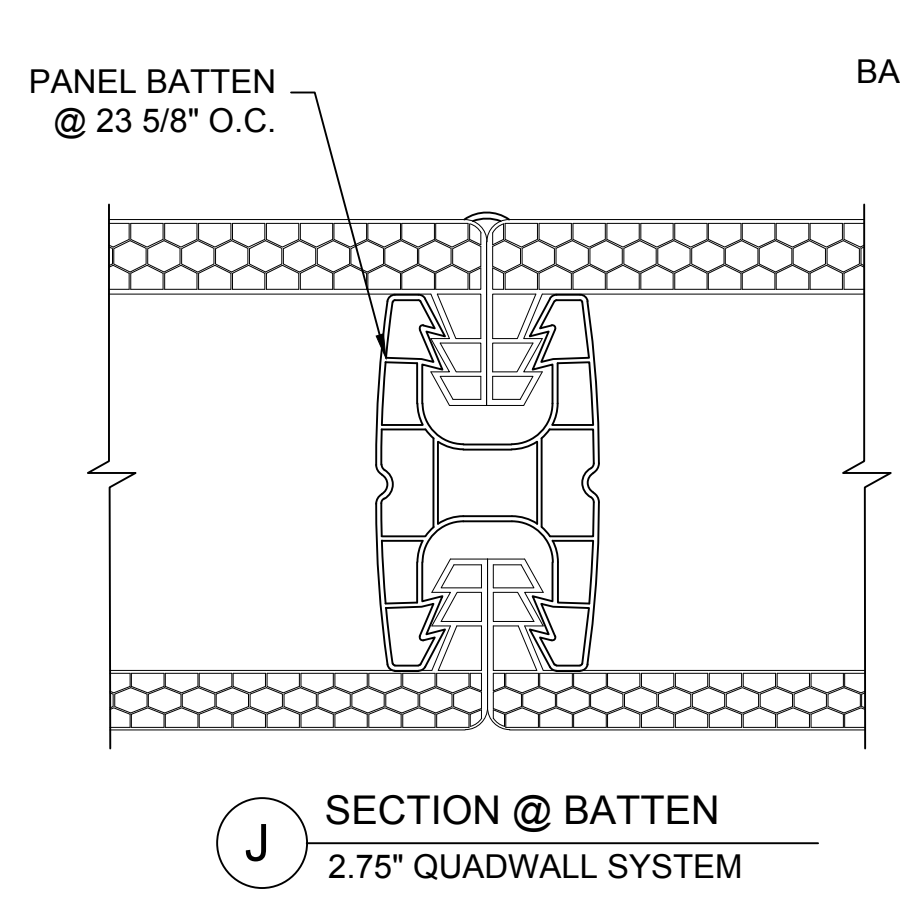
CUSTOM SKYLIGHTS
QUADWALL
RIDGE - SYSTEM (2.75" OR 4") DETERMINED BY DESIGN LOADS



28662 N. Ballard Drive
Lake Forest, IL 60045 USA
T: +1 847.816.1060
F: +1 847.816.0475

Note
The standard details shown are for reference only.

Please contact our Architectural Support Department for job specific details and for information regarding the usage, limitations, and or code requirements pertaining to this product, please contact us at: support@cpidaylighting.com



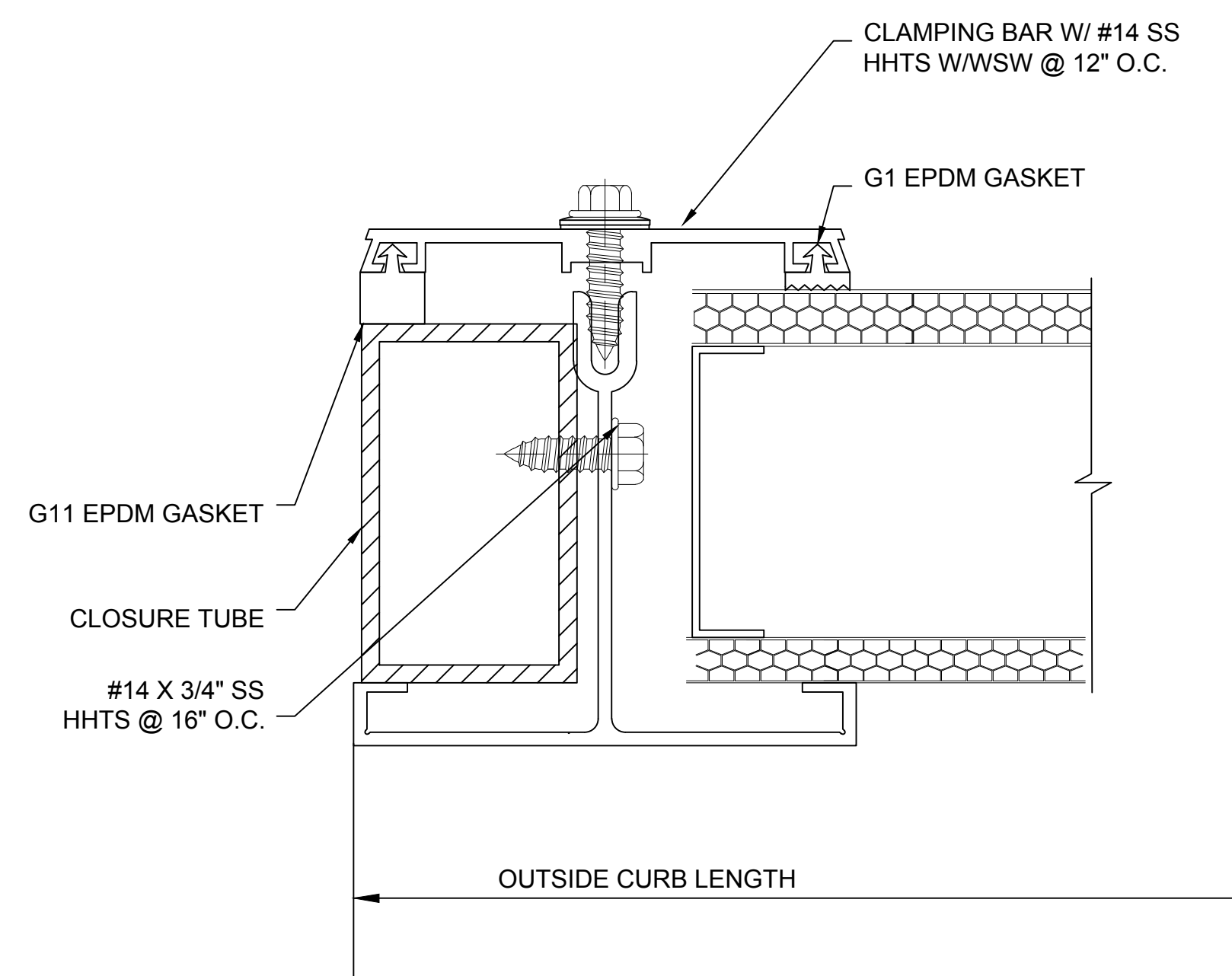
Details are subject to change and should be verified with our Architectural Support Department prior to implementation, please contact us at: support@cpidaylighting.com

CUSTOM SKYLIGHTS
QUADWALL
 RIDGE - SYSTEM (2.75" OR 4") DETERMINED BY DESIGN LOADS

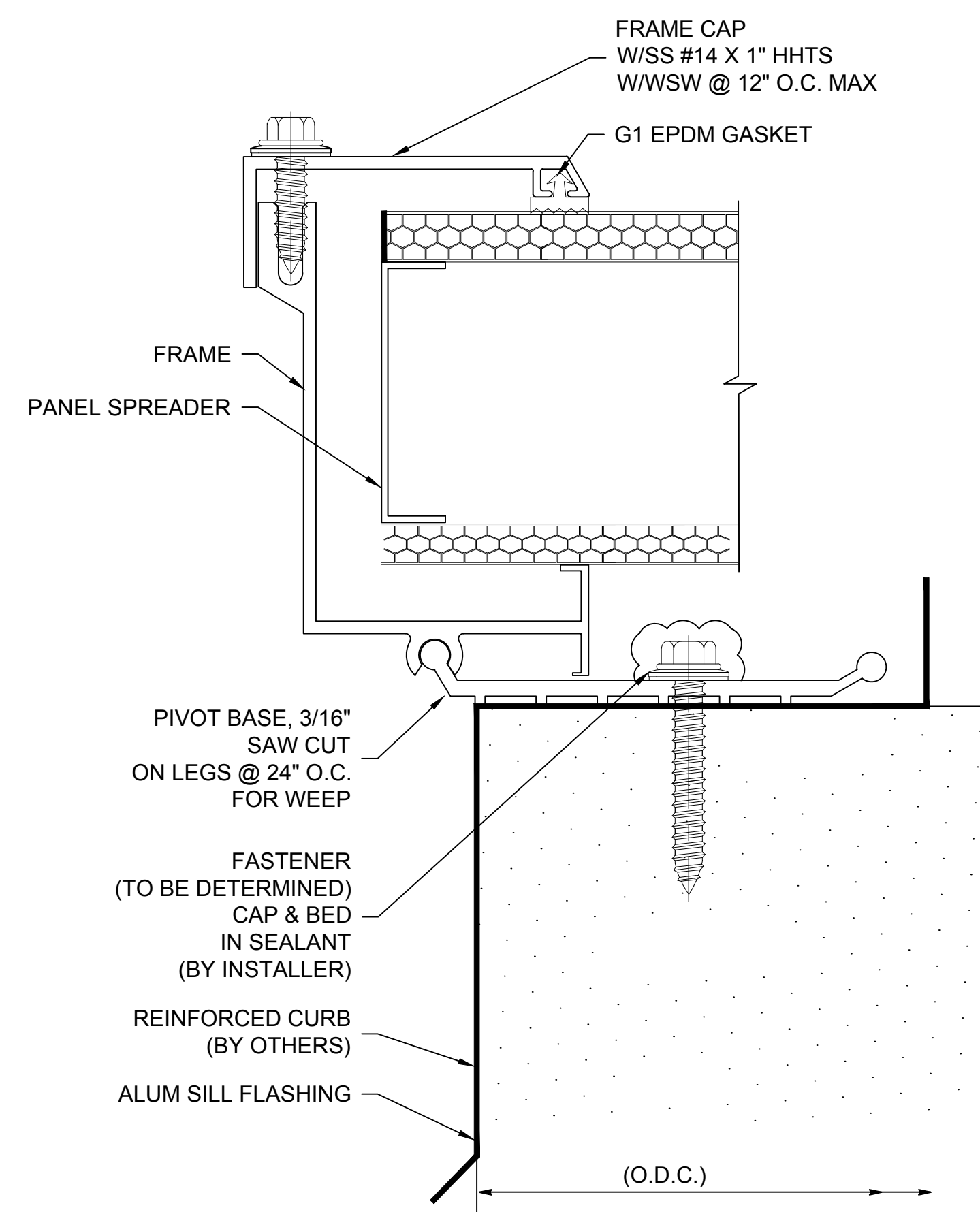


28662 N. Ballard Drive
 Lake Forest, IL 60045 USA
 T: +1 847.816.1060
 F: +1 847.816.0475

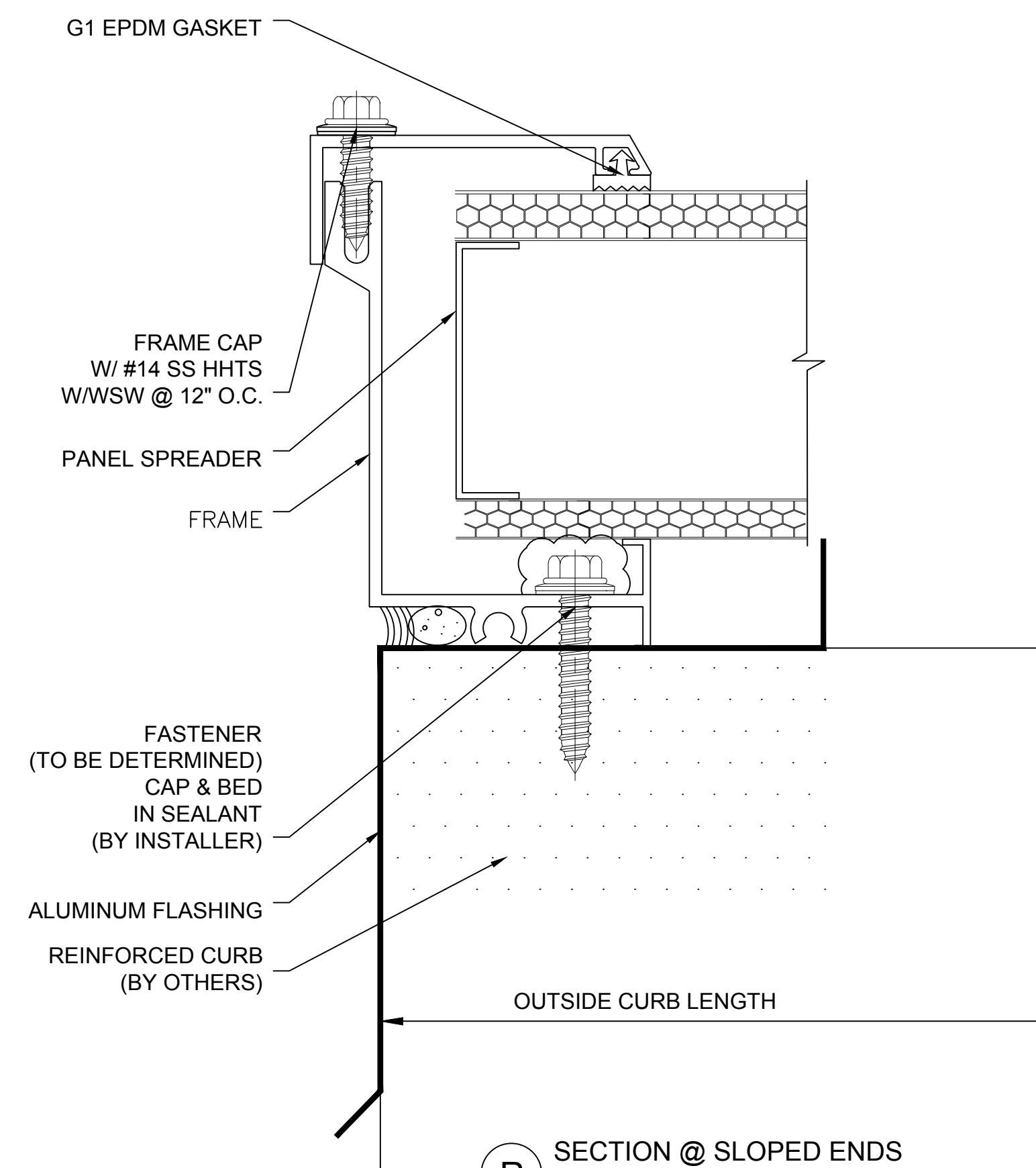
Note
 The standard details shown are for reference only.
 Please contact our Architectural Support Department for job specific details and for information regarding the usage, limitations, and or code requirements pertaining to this product, please contact us at:
support@cpidaylighting.com



P SECTION @ OPEN END
2.75" QUADWALL SYSTEM
(4" QUADWALL SYSTEM SIMILAR)

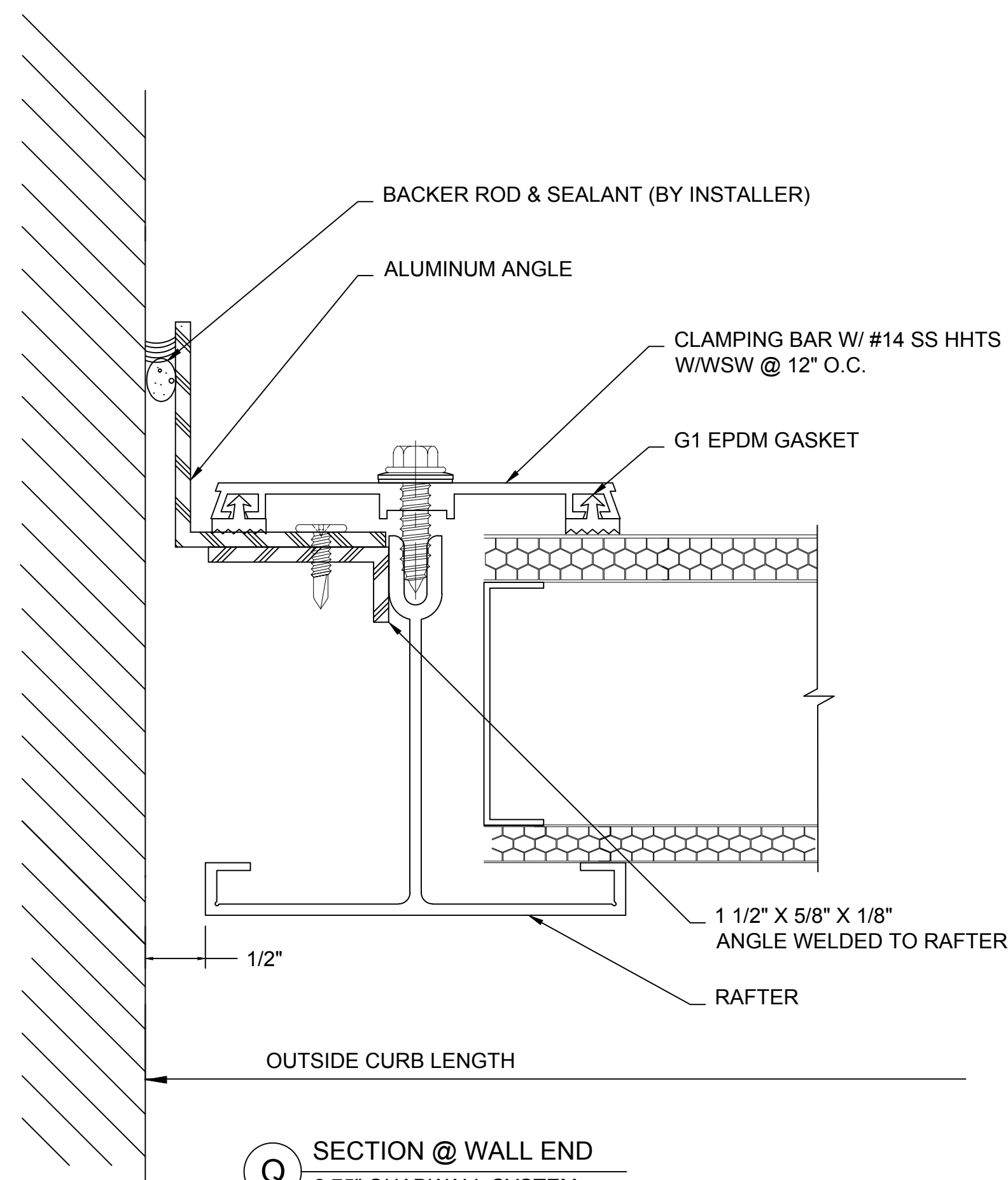


S SECTION @ SLOPED ENDS
2.75" QUADWALL SYSTEM
(4" QUADWALL SYSTEM SIMILAR)



R SECTION @ SLOPED ENDS
2.75" QUADWALL SYSTEM
(4" QUADWALL SYSTEM SIMILAR)

NOTE: FOR SADDLE RIDGE ONLY



Q SECTION @ WALL END
2.75" QUADWALL SYSTEM
(4" QUADWALL SYSTEM SIMILAR)

CUSTOM SKYLIGHTS

QUADWALL

RIDGE - SYSTEM (2.75" OR 4") DETERMINED BY DESIGN LOADS



28662 N. Ballard Drive
Lake Forest, IL 60045 USA

T: +1 847.816.1060
F: +1 847.816.0475

Note

The standard details shown are for reference only.

Please contact our Architectural Support Department for job specific details and for information regarding the usage, limitations, and or code requirements pertaining to this product, please contact us at:

support@cpidaylighting.com

Details are subject to change and should be verified with our Architectural Support Department prior to implementation, please contact us at: support@cpidaylighting.com

SHEET NO.
3 OF 3