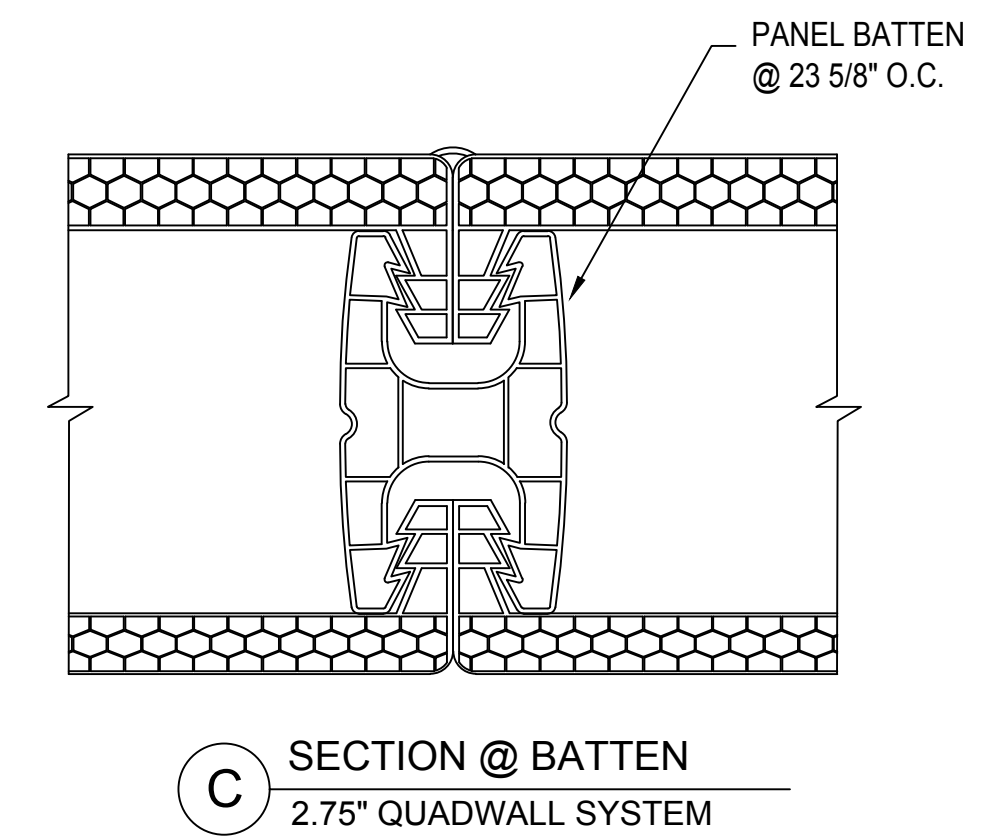
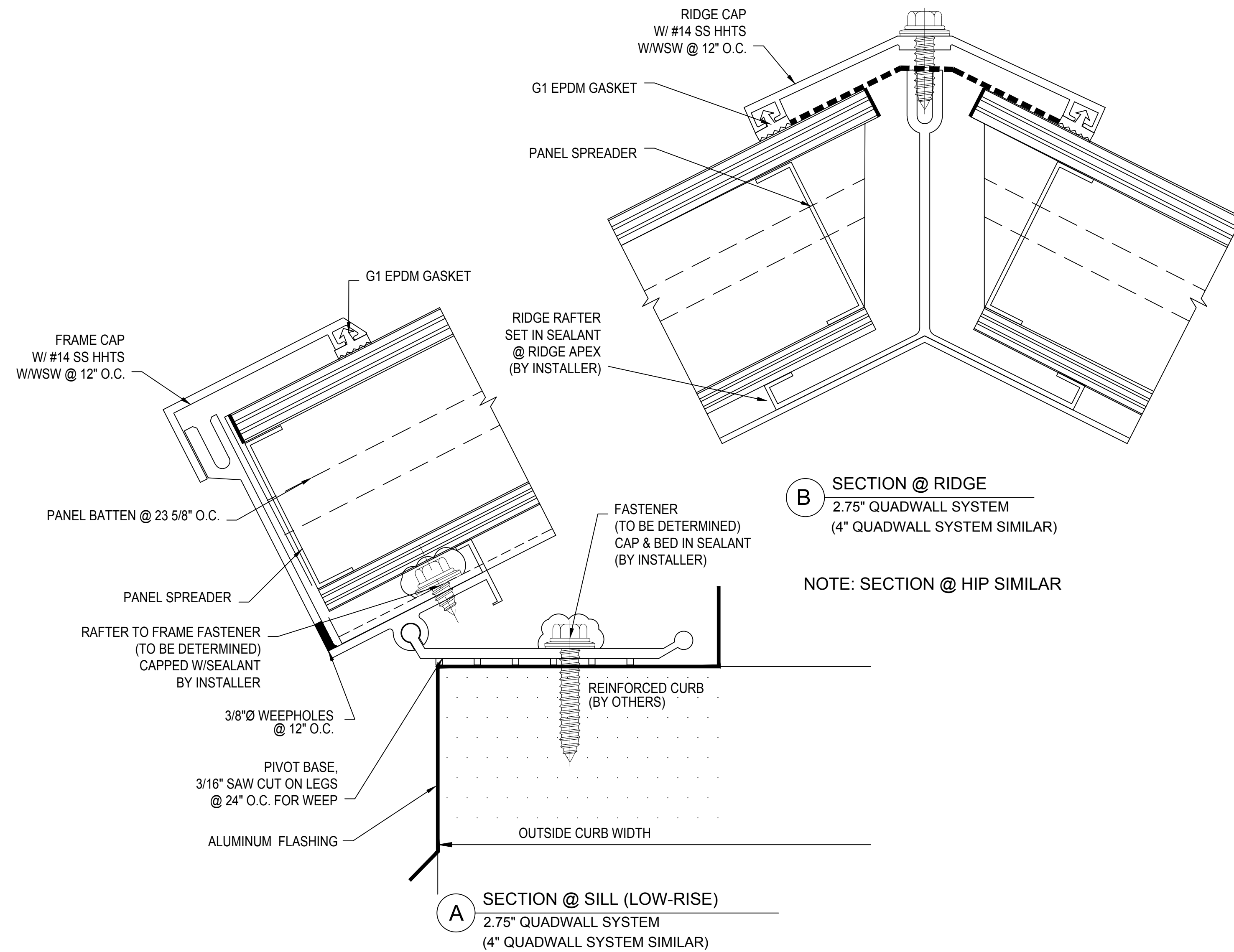


SYSTEM IS SHOWN AS 2.75" QUADWALL PANEL THICKNESS. A 4" QUADWALL PANEL THICKNESS SYSTEM IS USED BASED ON SPAN AND LOADING CONSIDERATIONS.

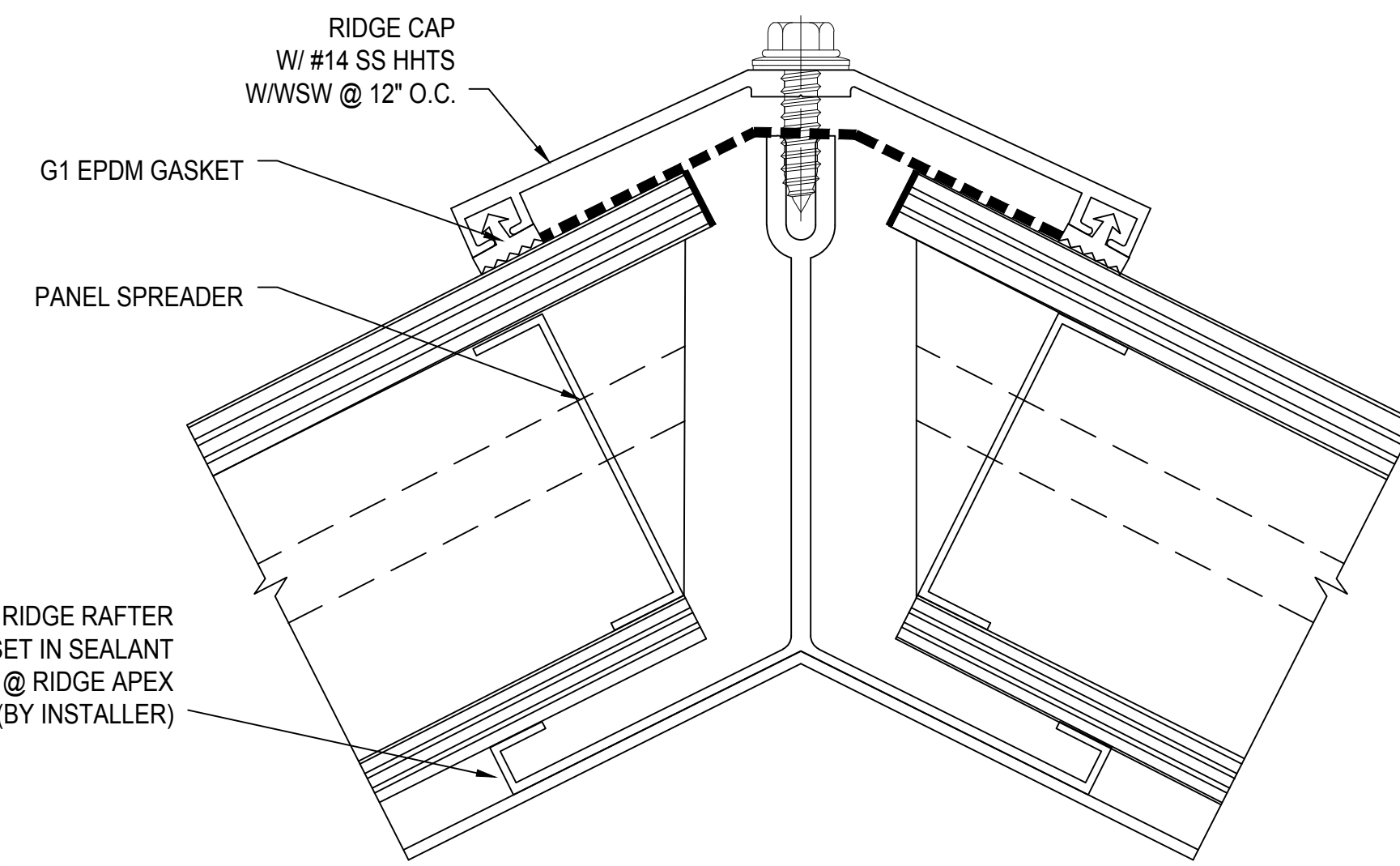
NOTE: RECOMMENDED MINIMUM PITCH 2:12. FOR INSTALLATIONS REQUIRING A LESSER PITCH PLEASE CONTACT OUR ARCHITECTURAL SUPPORT DEPARTMENT



C₁ SECTION @ BATTEN
2.75" QUADWALL SYSTEM

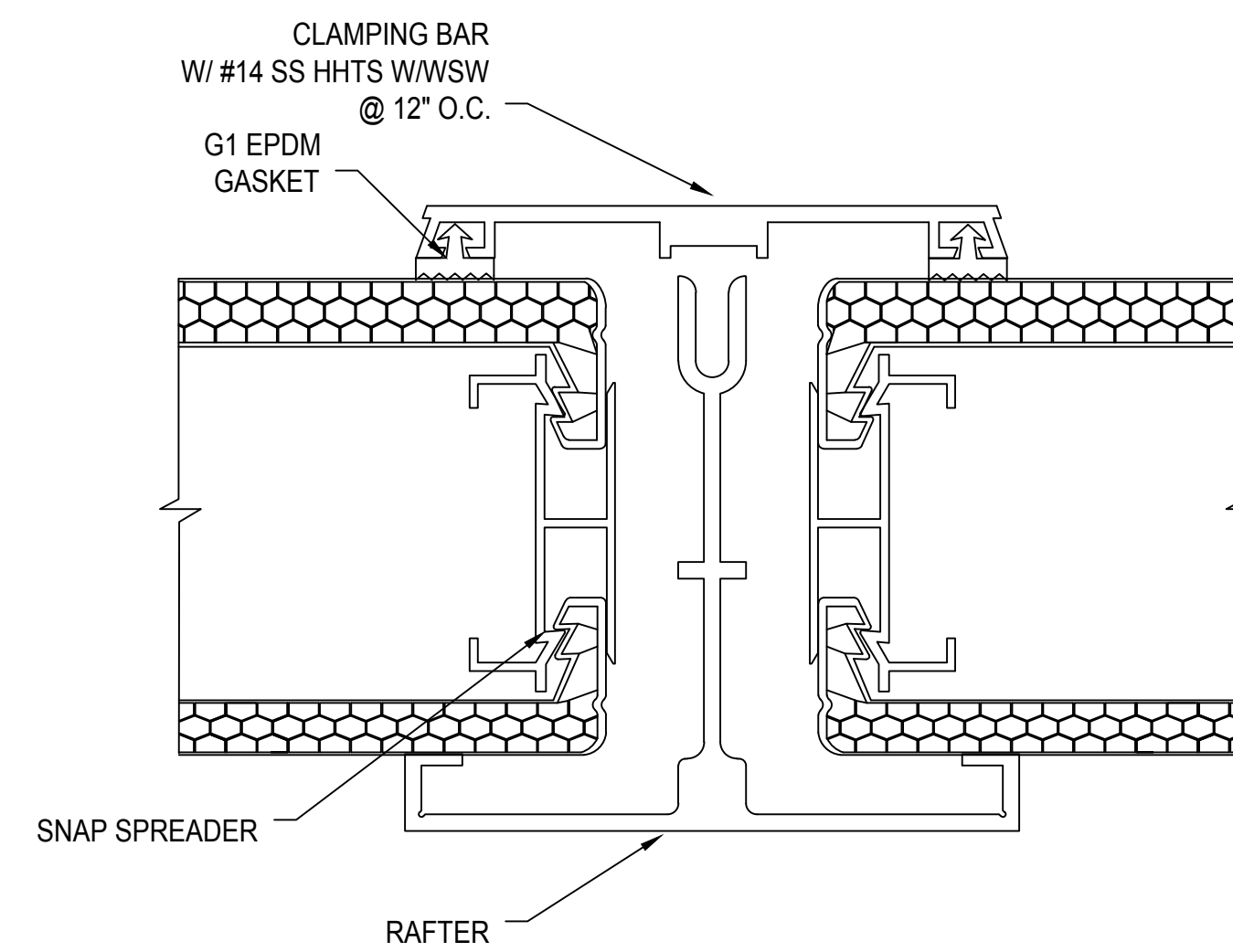


A SECTION @ SILL (LOW-RISE)
2.75" QUADWALL SYSTEM
(4" QUADWALL SYSTEM SIMILAR)

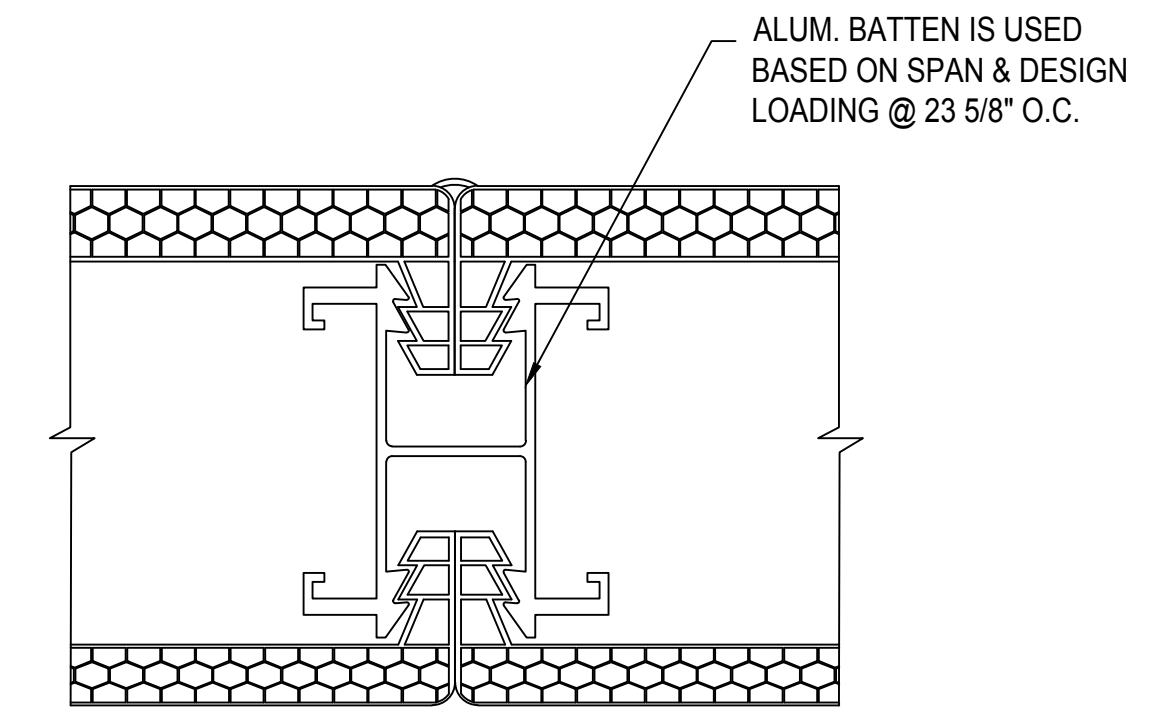


B SECTION @ RIDGE
2.75" QUADWALL SYSTEM
(4" QUADWALL SYSTEM SIMILAR)

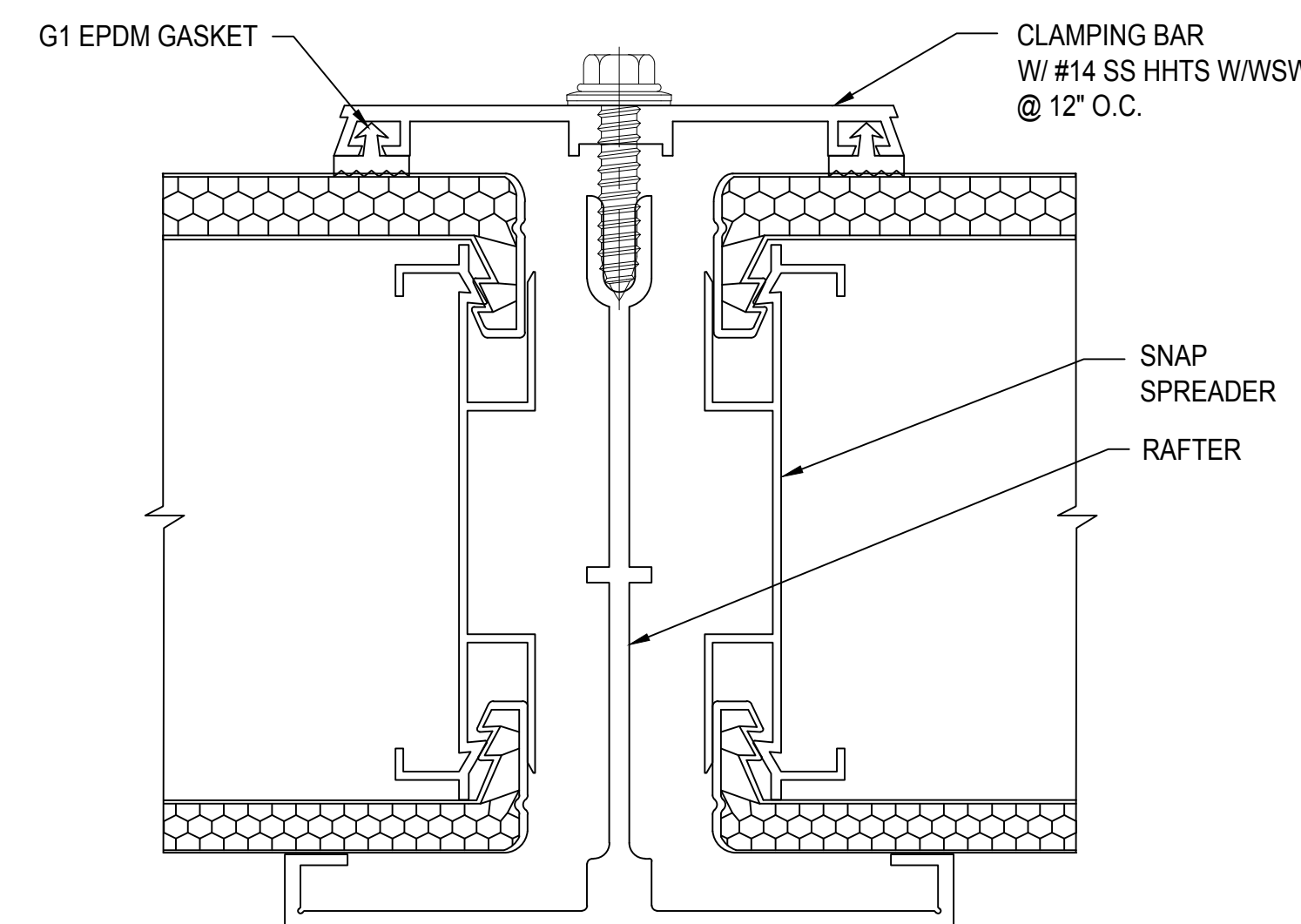
NOTE: SECTION @ HIP SIMILAR



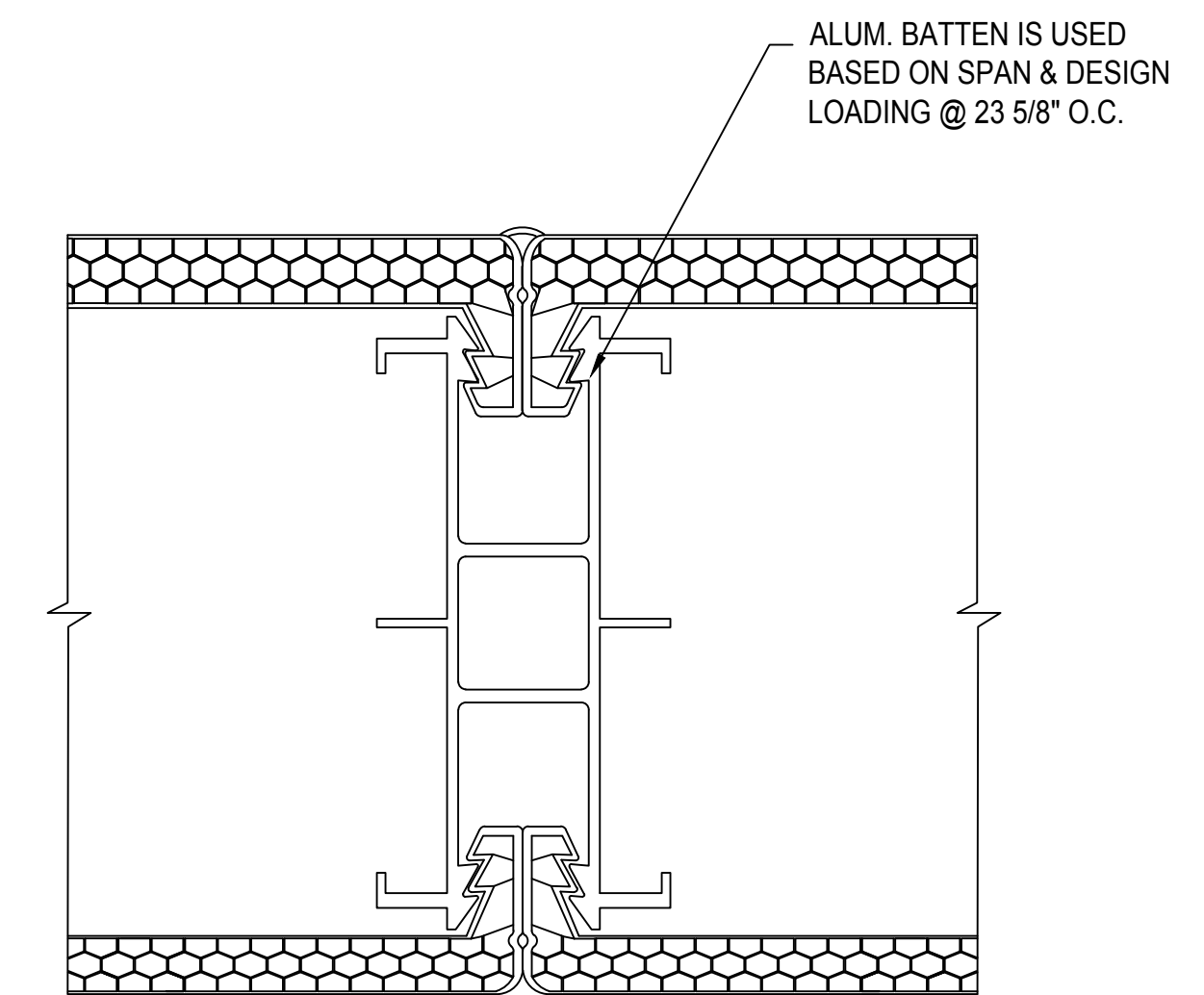
D₁ SECTION @ RAFTER
2.75" QUADWALL SYSTEM



C₂ SECTION @ BATTEN
2.75" QUADWALL SYSTEM



D₂ SECTION @ RAFTER
4" QUADWALL SYSTEM



C₃ SECTION @ BATTEN
4" QUADWALL SYSTEM

CUSTOM SKYLIGHTS
QUADWALL
PYRAMID - SYSTEM (2.75" OR 4") DETERMINED BY DESIGN LOADS



28662 N. Ballard Drive
Lake Forest, IL 60045 USA
T: +1 847.816.1060
F: +1 847.816.0475

Note
The standard details shown are for reference only.

Please contact our Architectural Support Department for job specific details and for information regarding the usage, limitations, and or code requirements pertaining to this product, please contact us at:

support@cpidaylighting.com

Details are subject to change and should be verified with our Architectural Support Department prior to implementation, please contact us at: support@cpidaylighting.com

SHEET NO.

1 OF 1