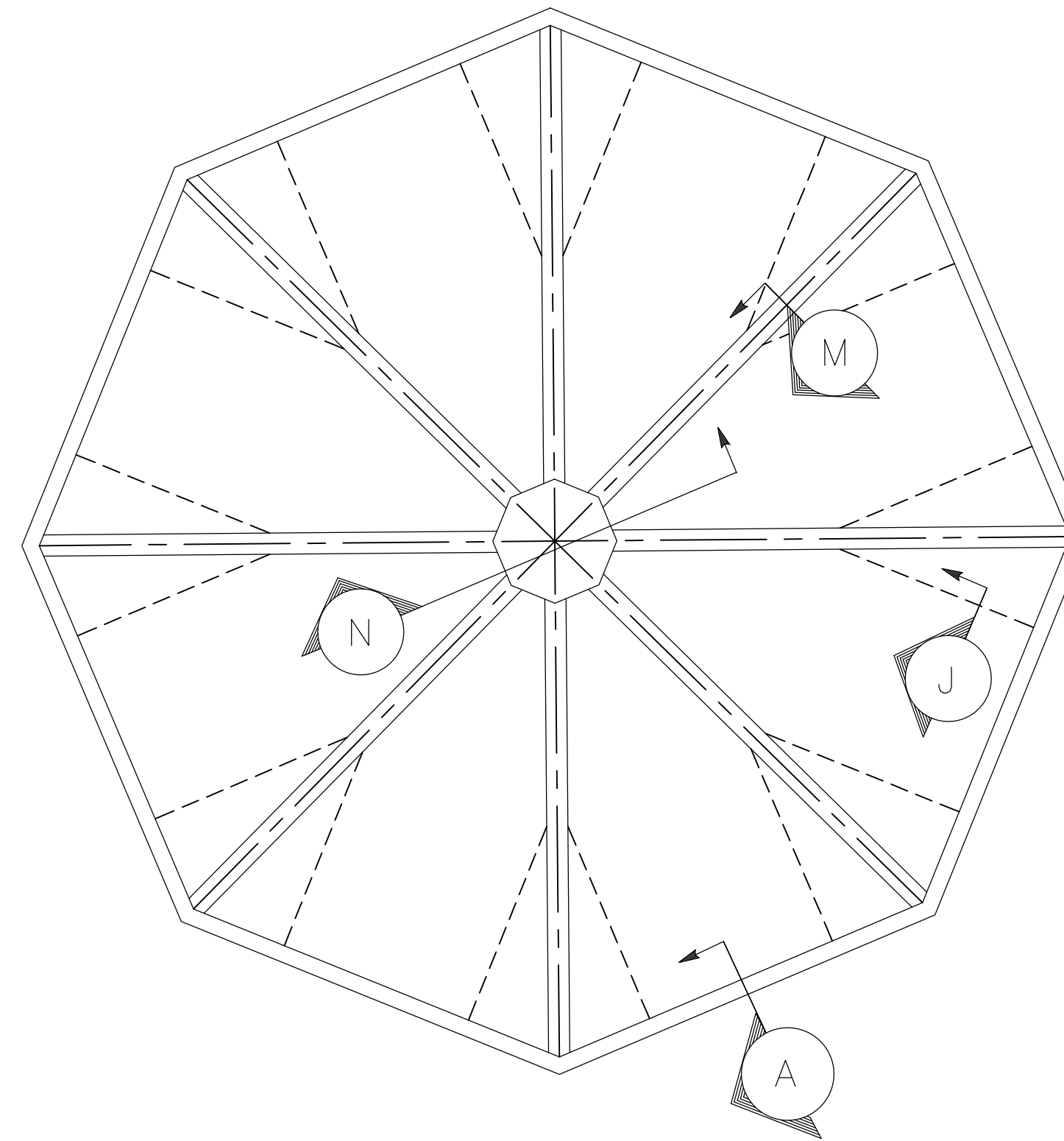
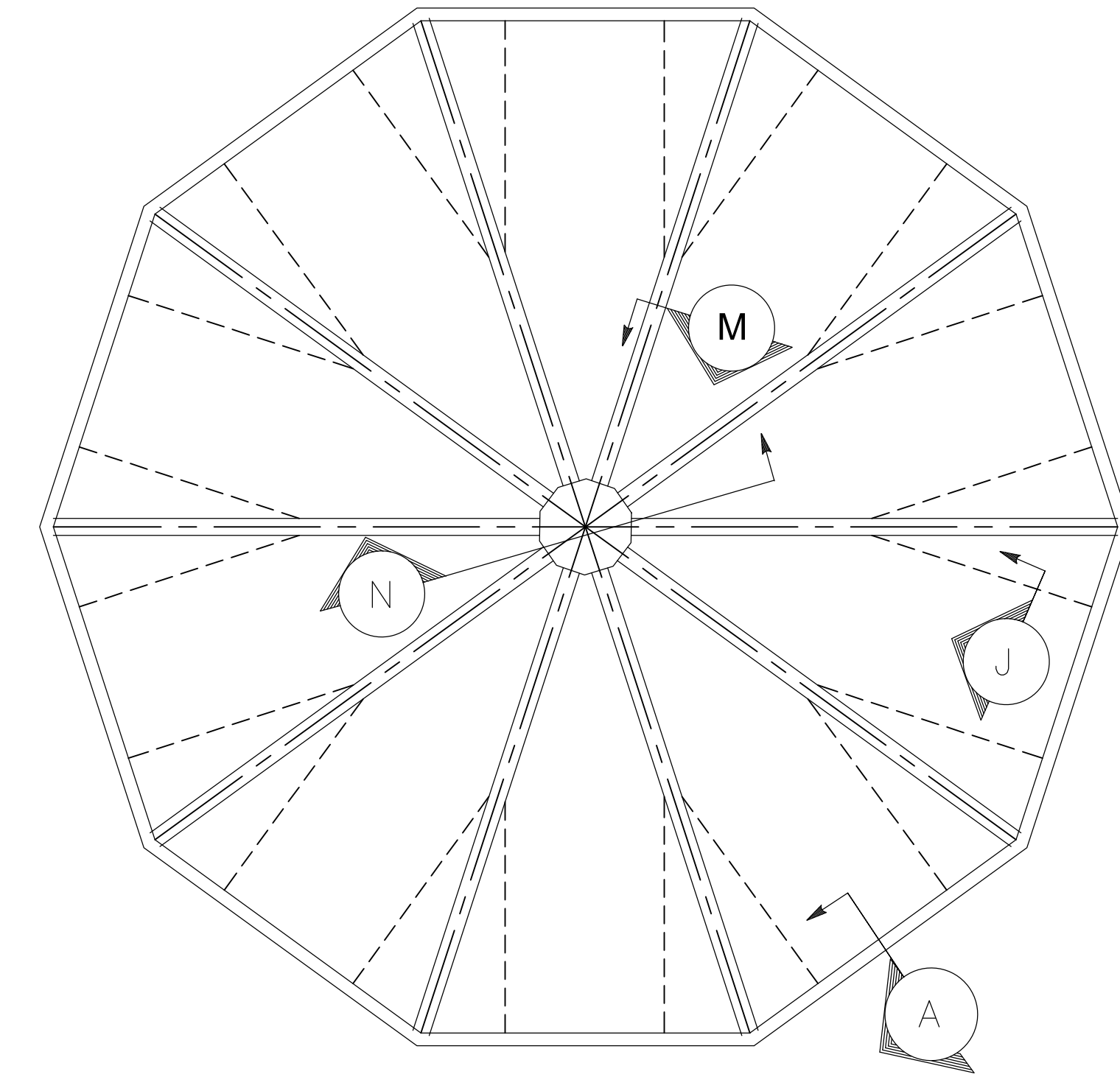


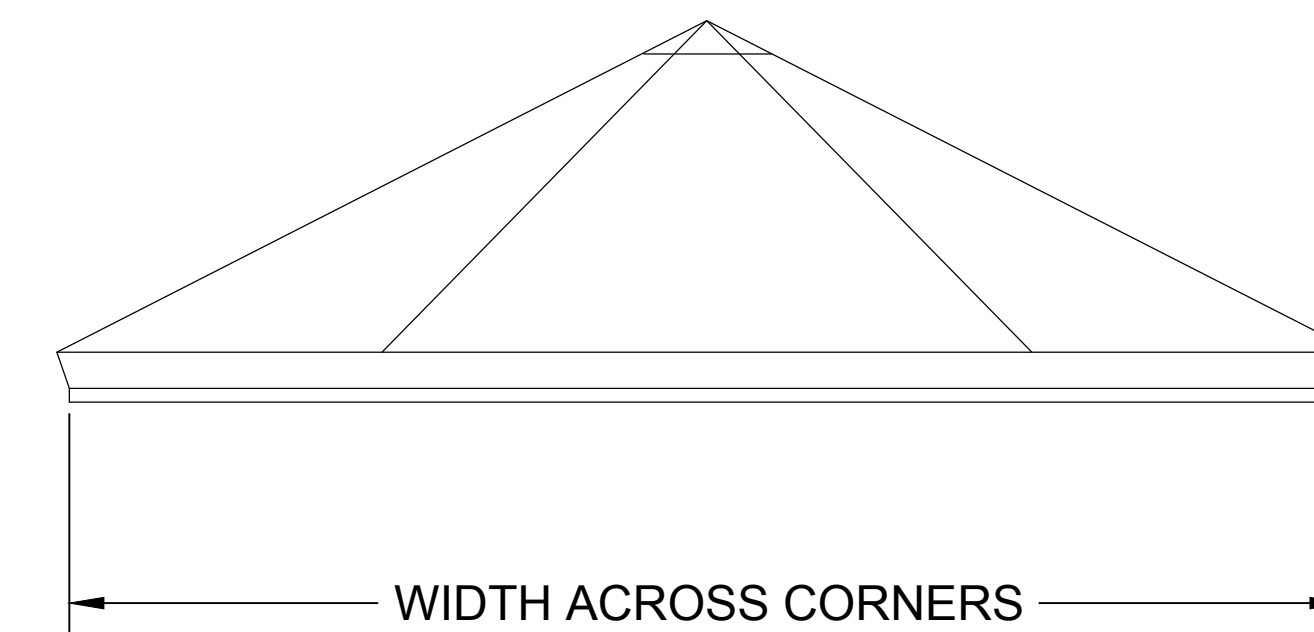
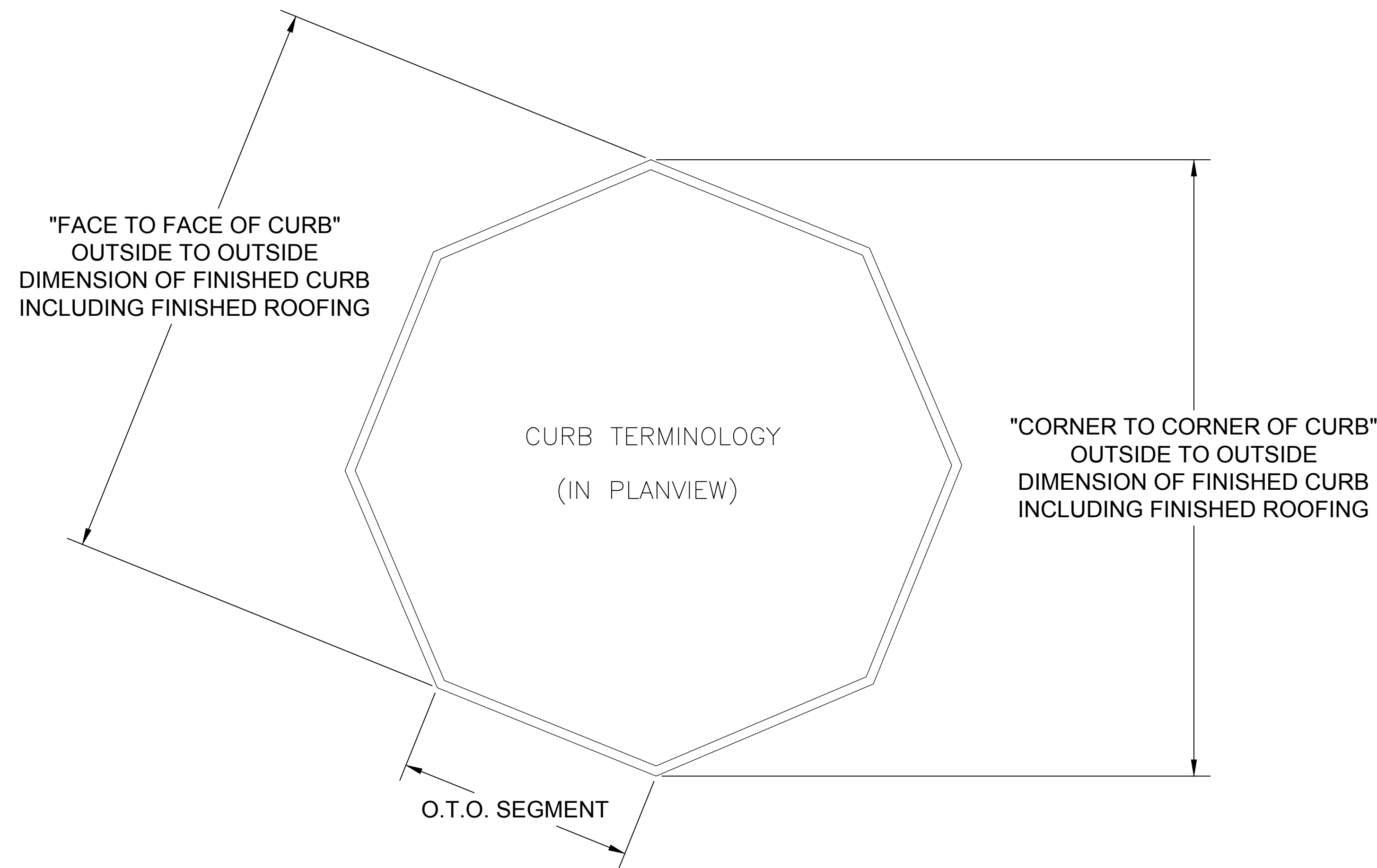
PLANVIEW
SIX (6) SIDED UNIT



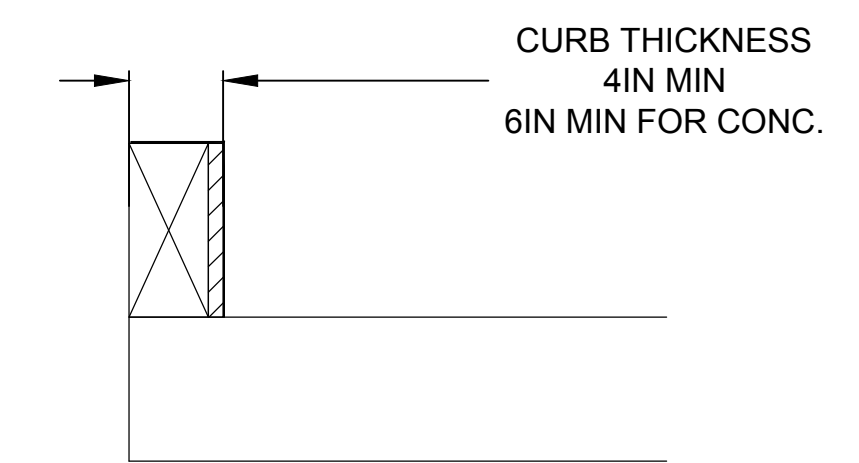
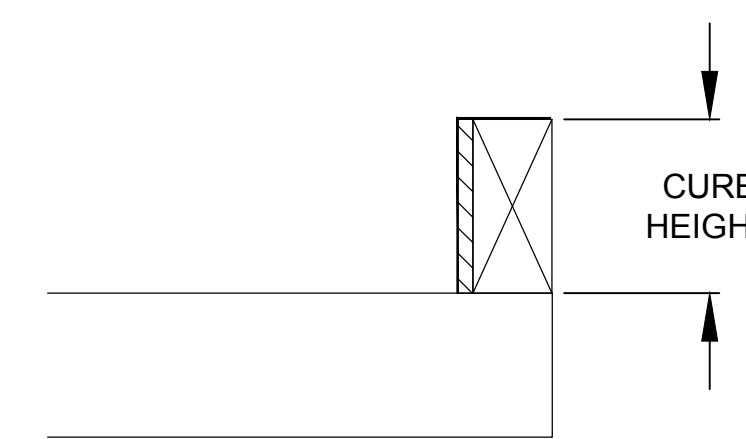
PLANVIEW
EIGHT (8) SIDED UNIT



PLANVIEW
TEN (10) SIDED UNIT



ELEVATION



NOTE:
RECOMMENDED MINIMUM PITCH 2:12.
FOR INSTALLATIONS REQUIRING A LESSER
PITCH PLEASE CONTACT OUR ARCHITECTURAL
SUPPORT DEPARTMENT

SYSTEM IS SHOWN AS 2.75" QUADWALL PANEL
THICKNESS. A 4" QUADWALL PANEL THICKNESS
SYSTEM IS USED BASED ON SPAN AND LOADING
CONSIDERATIONS.

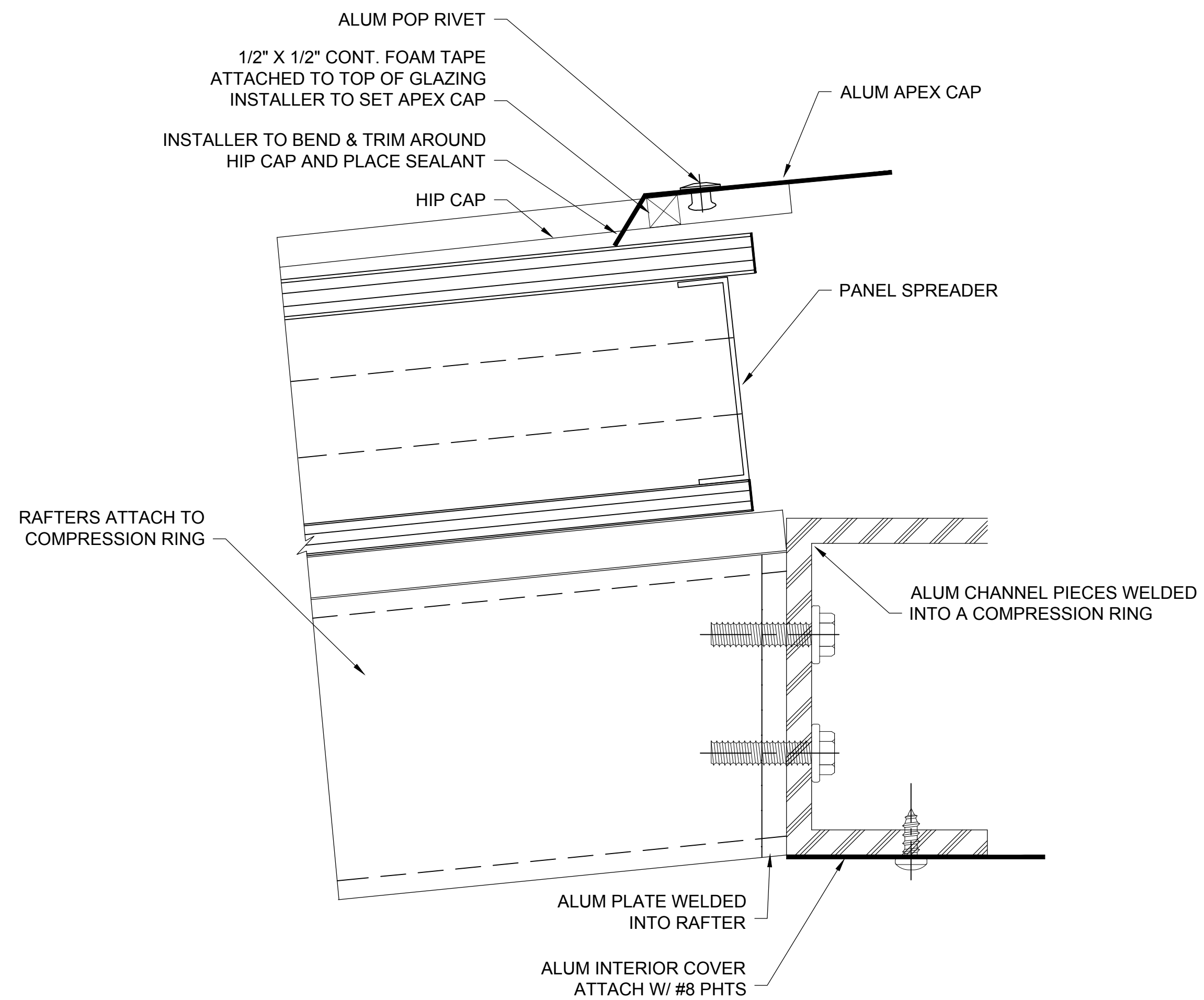
Details are subject to change and should be
verified with our Architectural Support
Department prior to implementation, please
contact us at: support@cpidaylighting.com

CUSTOM SKYLIGHTS
QUADWALL
POLYGON - SYSTEM (2.75" OR 4") DETERMINED BY DESIGN LOADS

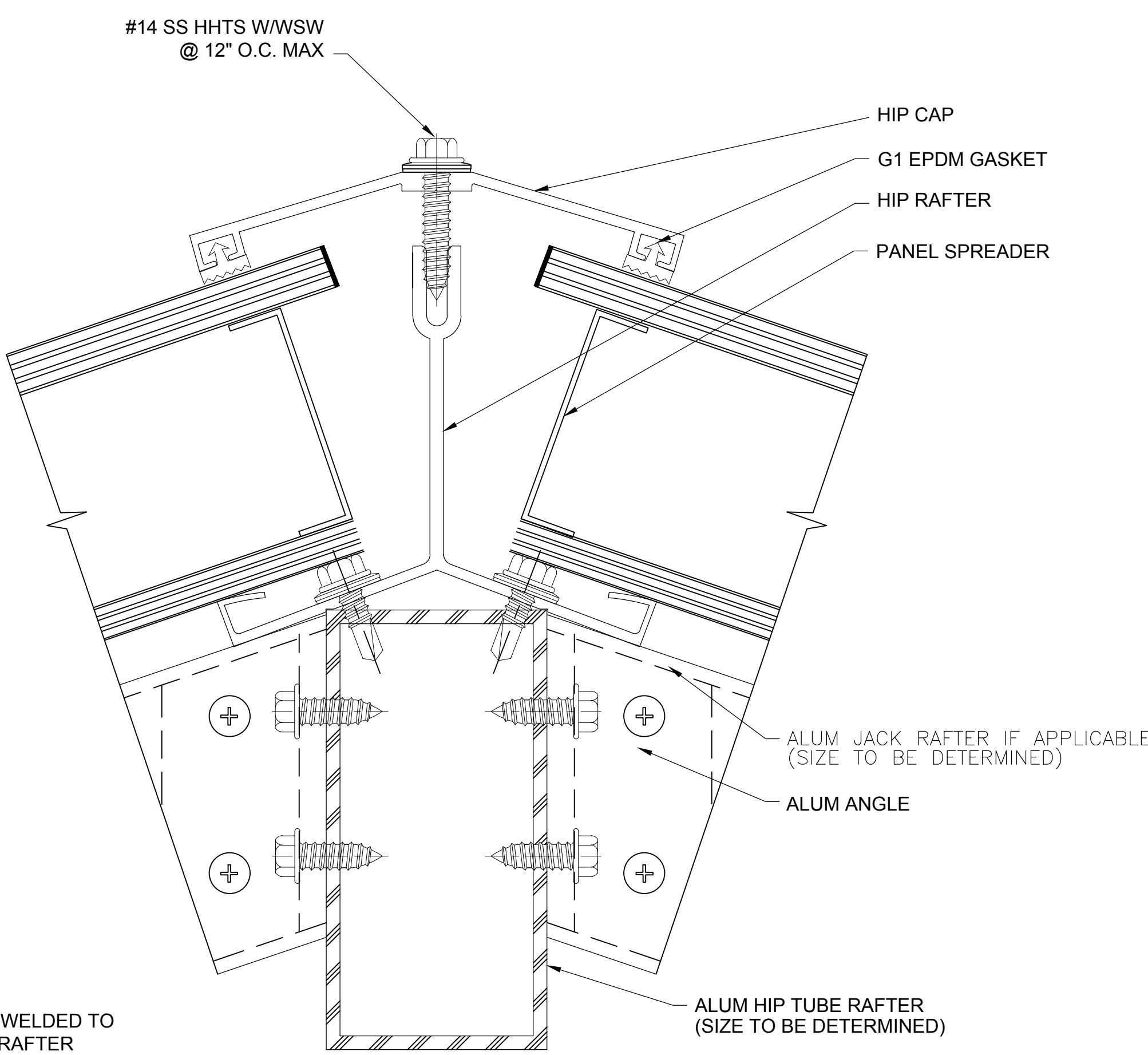


28662 N. Ballard Drive
Lake Forest, IL 60045 USA
T: +1 847.816.1060
F: +1 847.816.0475

Note
The standard details shown
are for reference only.
Please contact our Architectural
Support Department for job
specific details and for
information regarding the usage,
limitations, and or code
requirements pertaining to this
product, please contact us at:
support@cpidaylighting.com

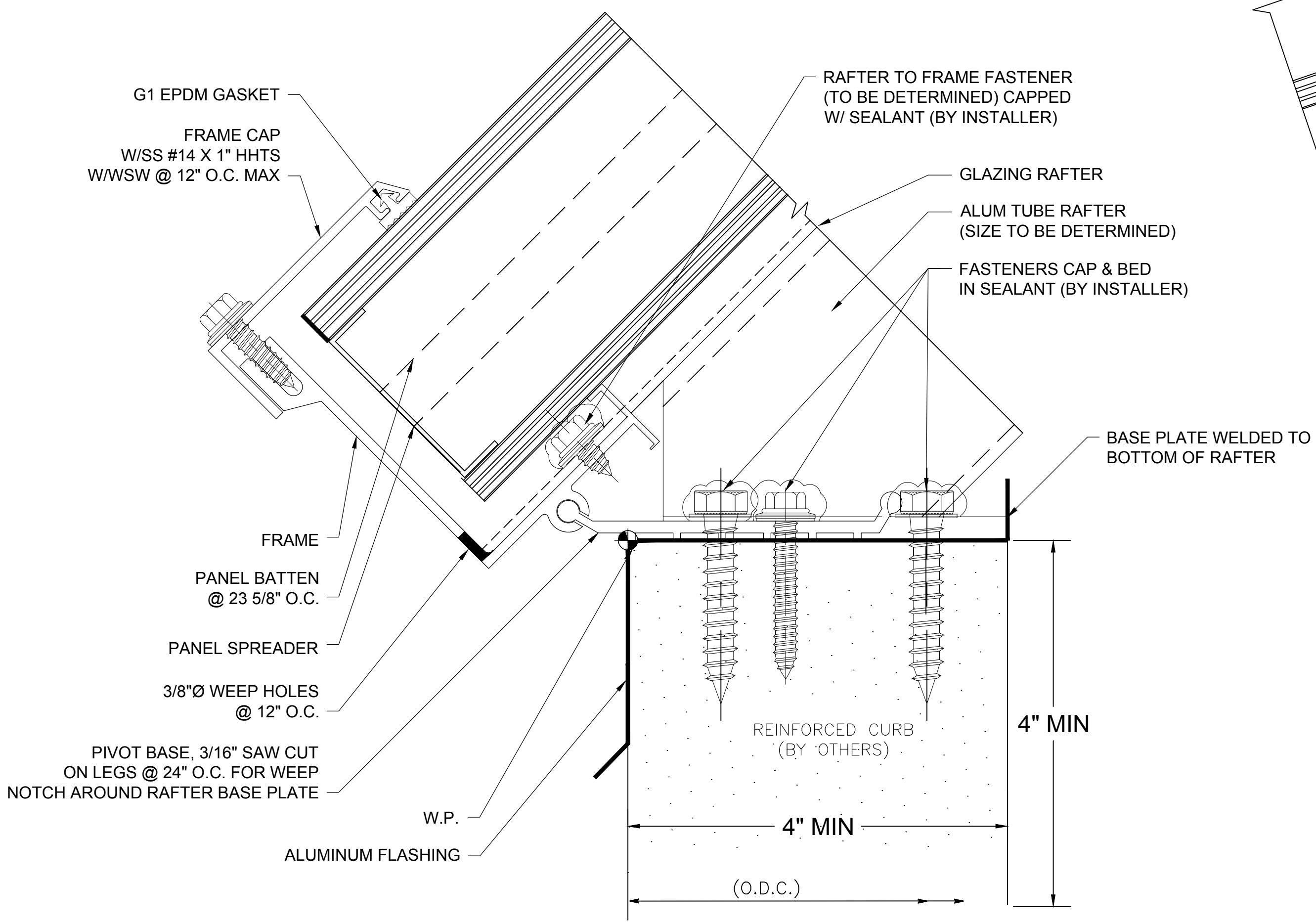


V SECTION @ APEX
2.75" QUADWALL SYSTEM

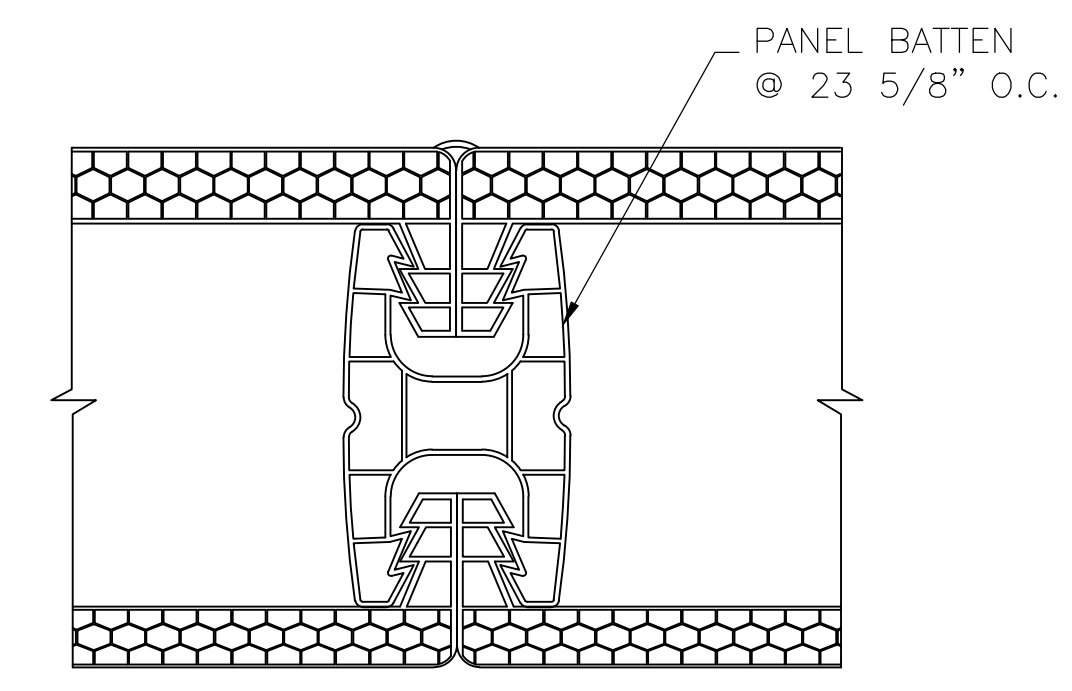


P SECTION @ HIP
2.75" QUADWALL SYSTEM
(4" QUADWALL SYSTEM SIMILAR)

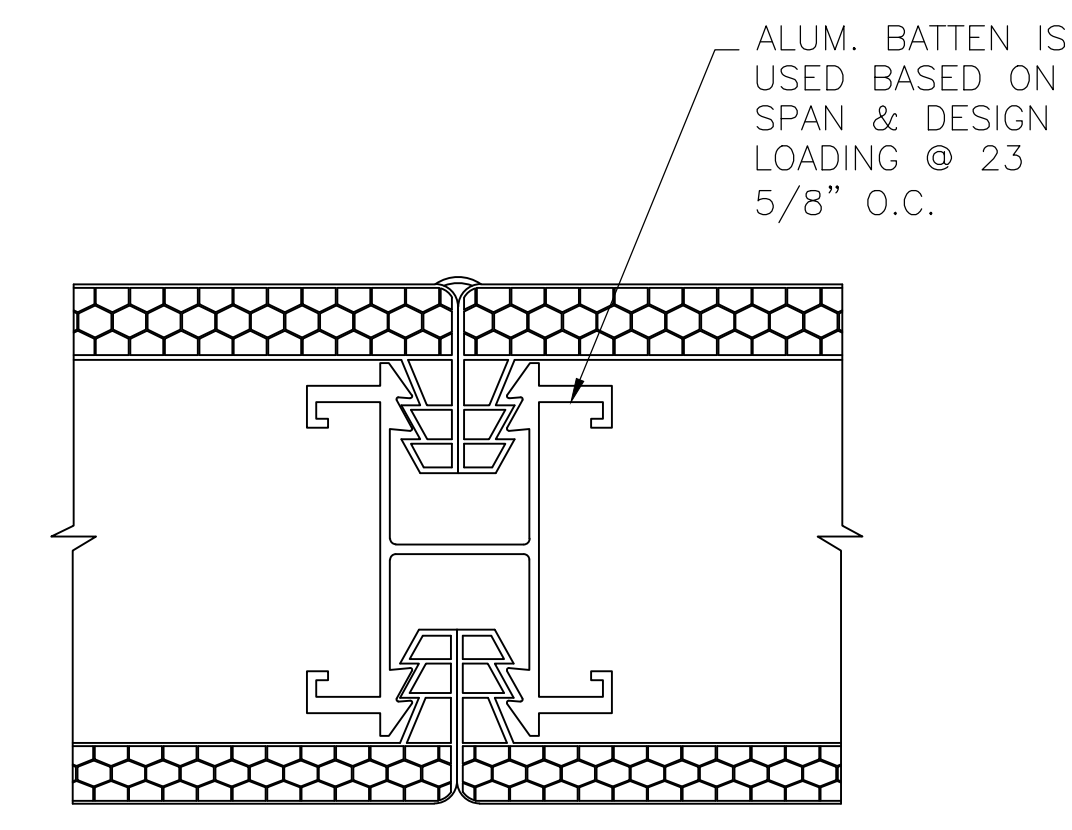
NOTE: AT JACK RAFTER LOCATIONS
IF APPLICABLE



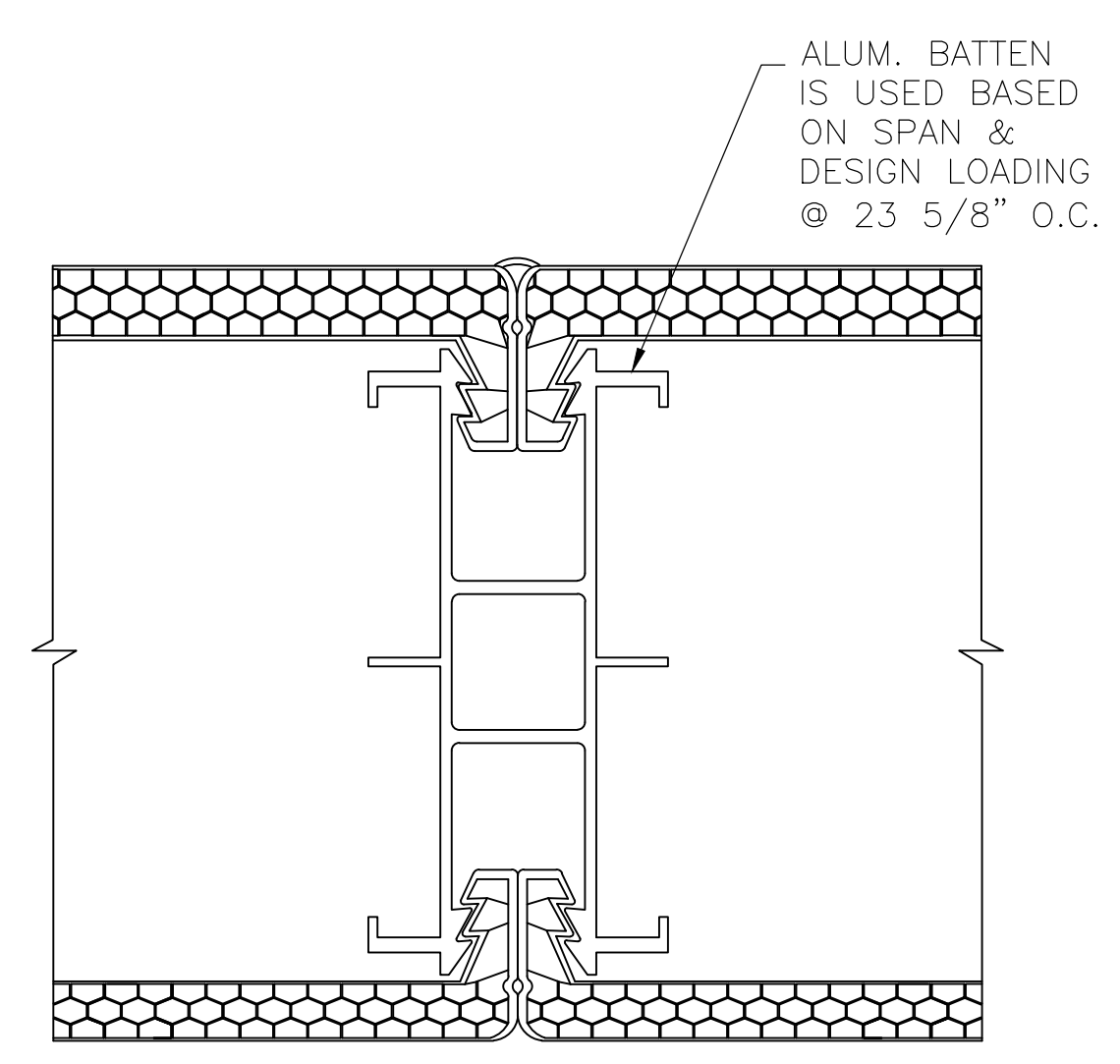
A SECTION @ SILL (FLAT CURB)
2.75" QUADWALL SYSTEM
(4" QUADWALL SYSTEM SIMILAR)



J SECTION @ BATTEN
2.75" QUADWALL SYSTEM



J2 SECTION @ BATTEN
2.75" QUADWALL SYSTEM



J3 SECTION @ BATTEN
4" QUADWALL SYSTEM

CUSTOM SKYLIGHTS
QUADWALL
POLYGON - SYSTEM (2.75" OR 4") DETERMINED BY DESIGN LOADS



28662 N. Ballard Drive
Lake Forest, IL 60045 USA
T: +1 847.816.1060
F: +1 847.816.0475

Note
The standard details shown are for reference only.
Please contact our Architectural Support Department for job specific details and for information regarding the usage, limitations, and or code requirements pertaining to this product, please contact us at:
support@cpidaylighting.com

Details are subject to change and should be verified with our Architectural Support Department prior to implementation, please contact us at: support@cpidaylighting.com