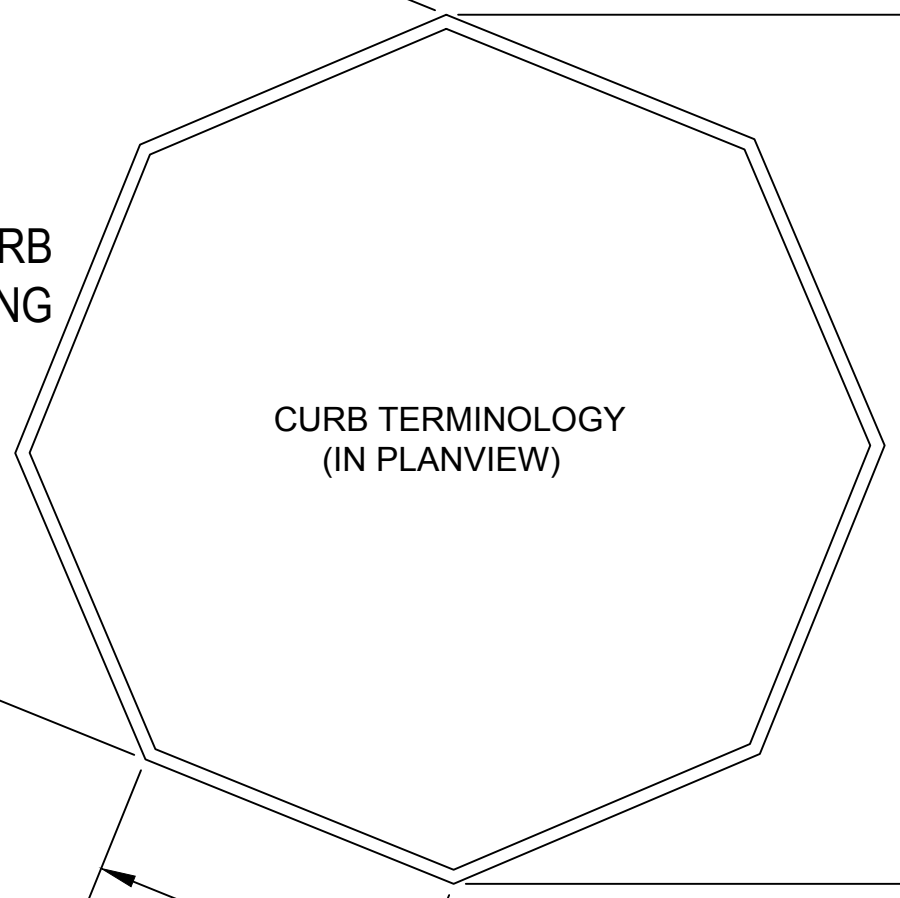


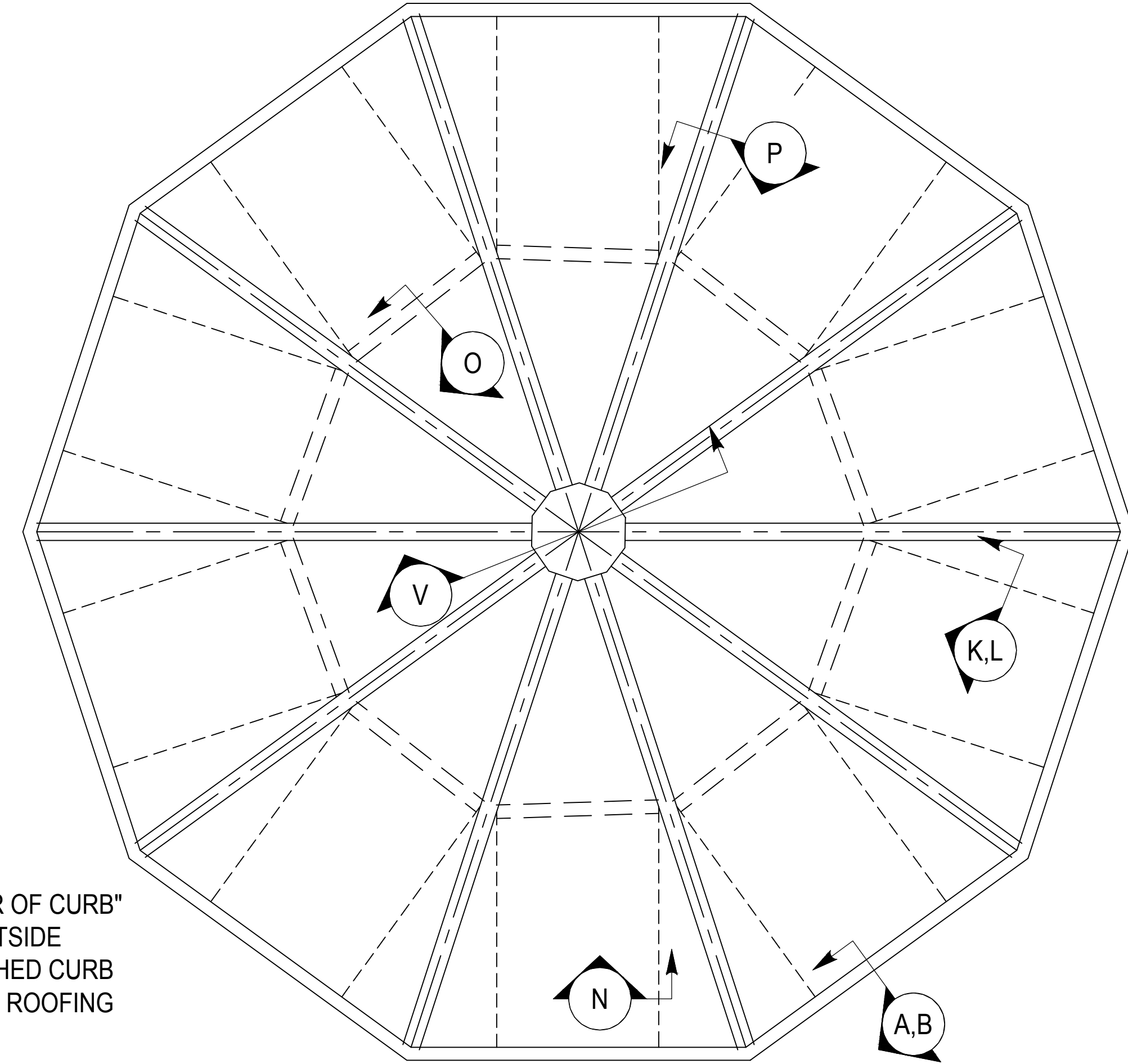
PLANVIEW
EIGHT (8) SIDED UNIT

SYSTEM IS SHOWN AS 2.75" QUADWALL PANEL THICKNESS.
A 4" QUADWALL PANEL THICKNESS SYSTEM IS USED
BASED ON SPAN AND LOADING CONSIDERATIONS.

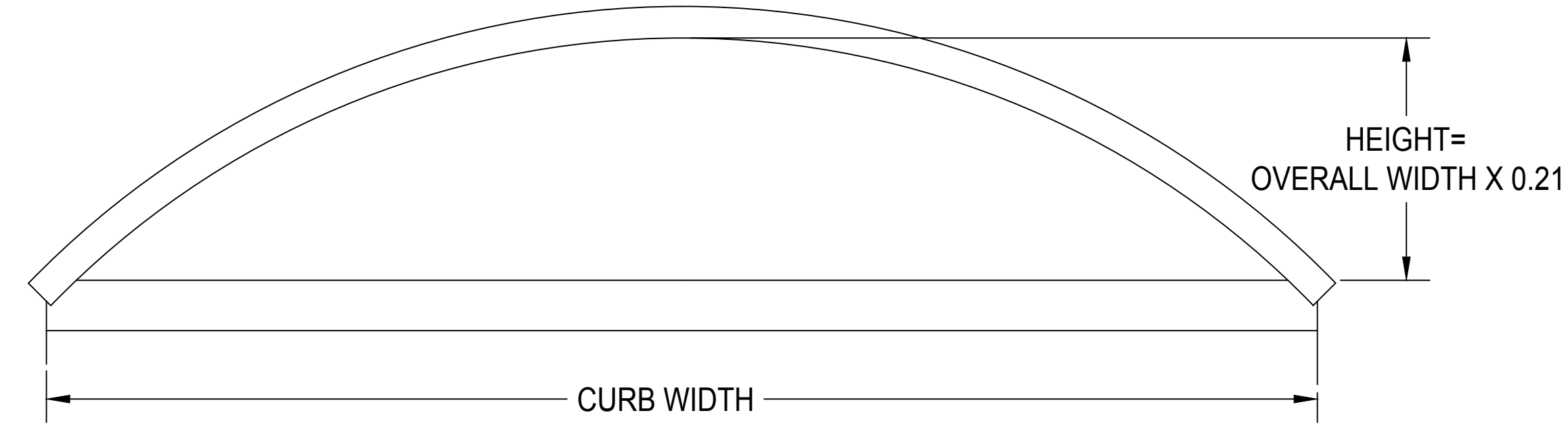
"FACE TO FACE OF CURB"
OUTSIDE TO OUTSIDE
DIMENSION OF FINISHED CURB
INCLUDING FINISHED ROOFING



"CORNER TO CORNER OF CURB"
OUTSIDE TO OUTSIDE
DIMENSION OF FINISHED CURB
INCLUDING FINISHED ROOFING



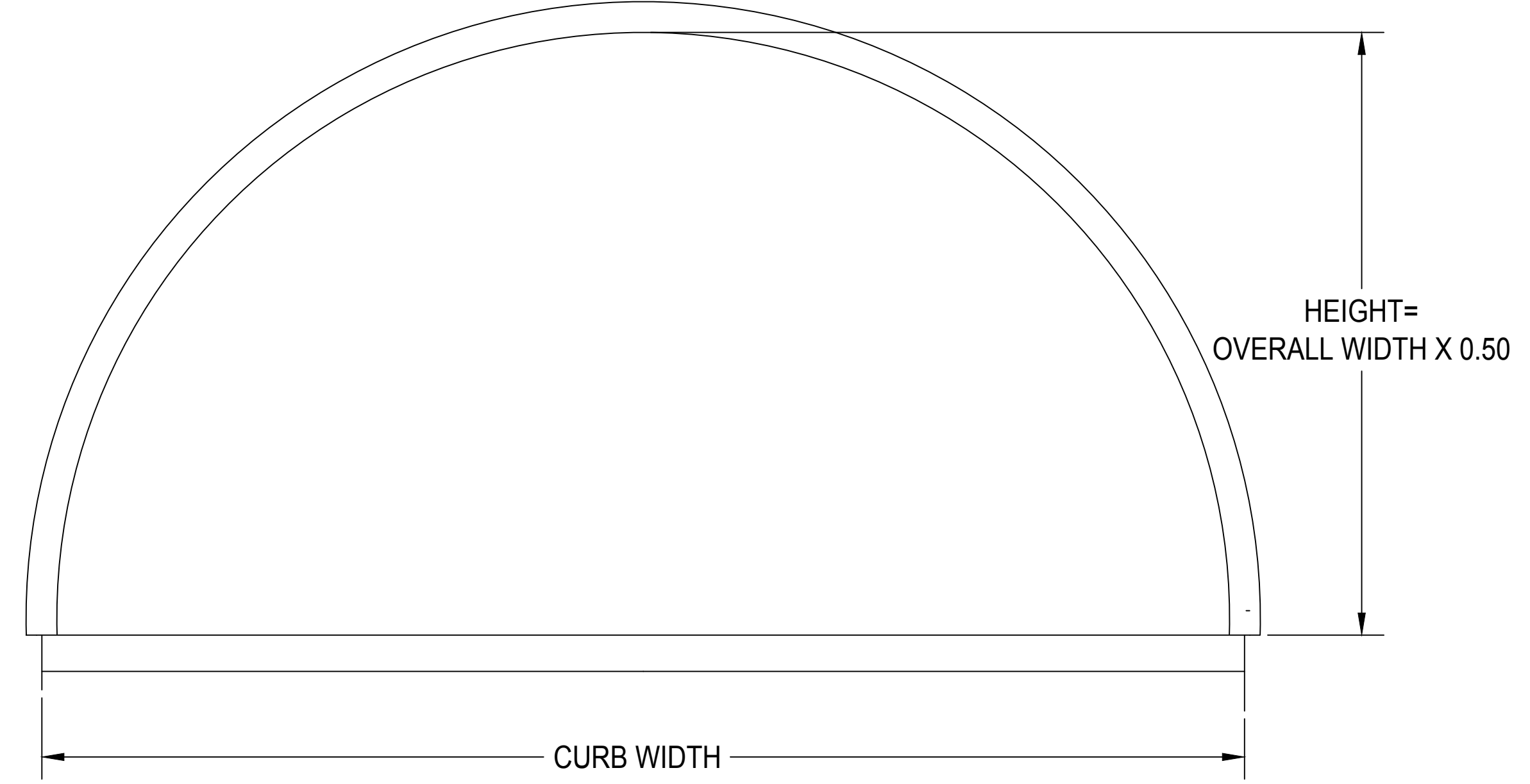
PLANVIEW
TEN (10) SIDED UNIT



LOW-RISE ELEVATION

HEIGHT=
OVERALL WIDTH X 0.21

CURB WIDTH



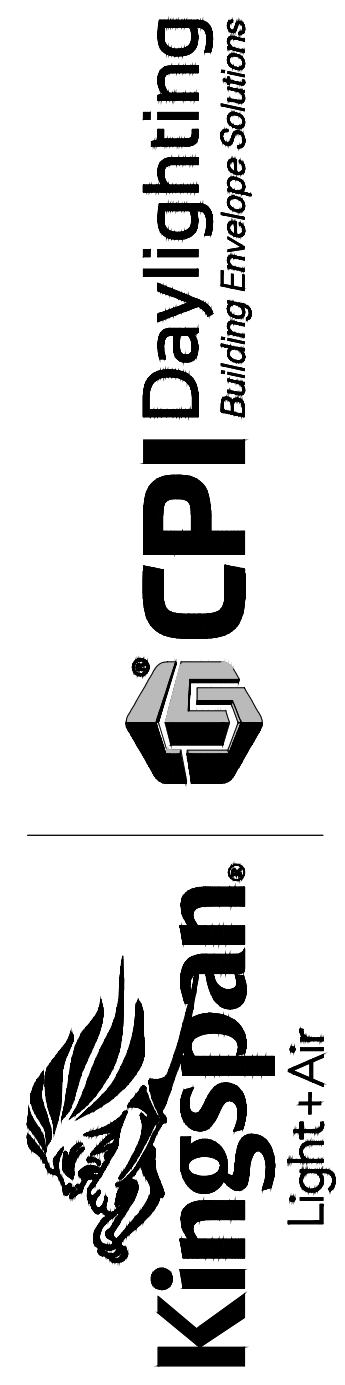
HALF ROUND ELEVATION

HEIGHT=
OVERALL WIDTH X 0.50

CURB WIDTH

NOMINAL HEIGHT:
FROM TOP OF CURB TO BOTTOM OF RAFTER AT APEX OF
SKYLIGHT

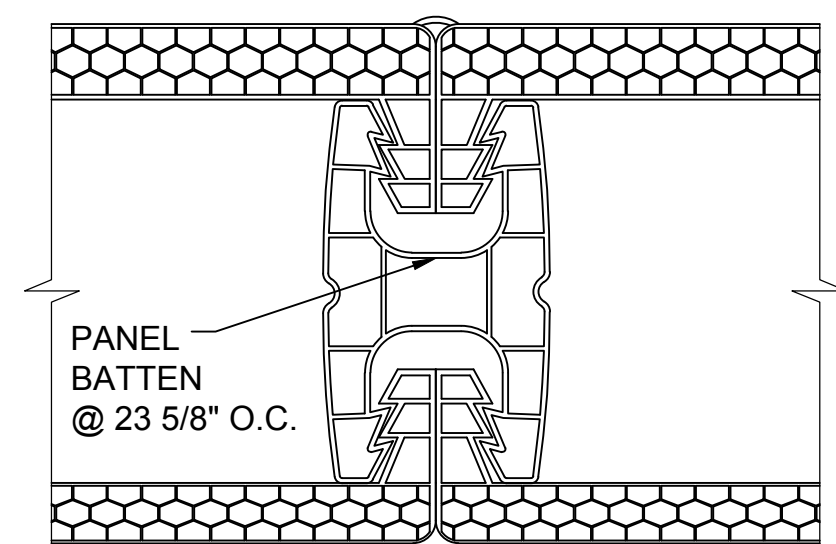
CUSTOM SKYLIGHTS
QUADWALL
DOME - SYSTEM (2.75" OR 4") DETERMINED BY DESIGN LOADS



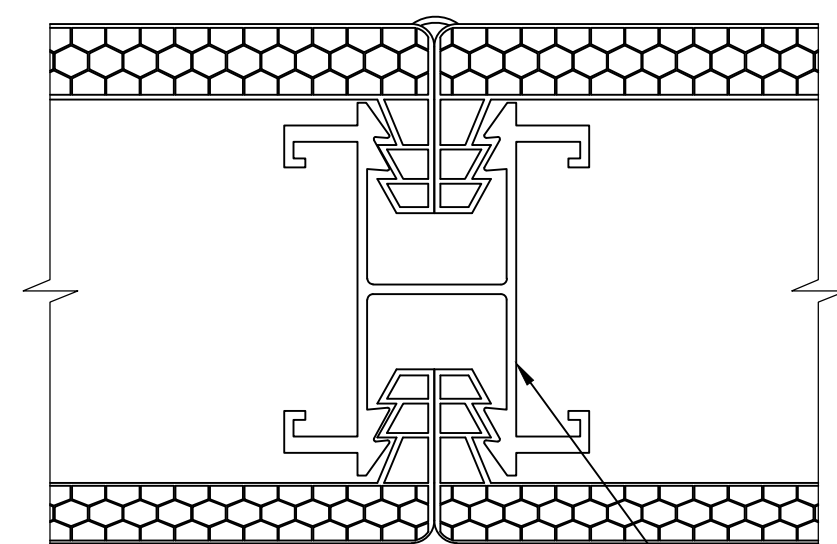
28662 N. Ballard Drive
Lake Forest, IL 60045 USA
T: +1 847.816.1060
F: +1 847.816.0475

Note
The standard details shown
are for reference only.
Please contact our Architectural
Support Department for job
specific details and for
information regarding the usage,
limitations, and or code
requirements pertaining to this
product, please contact us at:
support@cpidaylighting.com

Details are subject to change and should be
verified with our Architectural Support
Department prior to implementation, please
contact us at: support@cpidaylighting.com

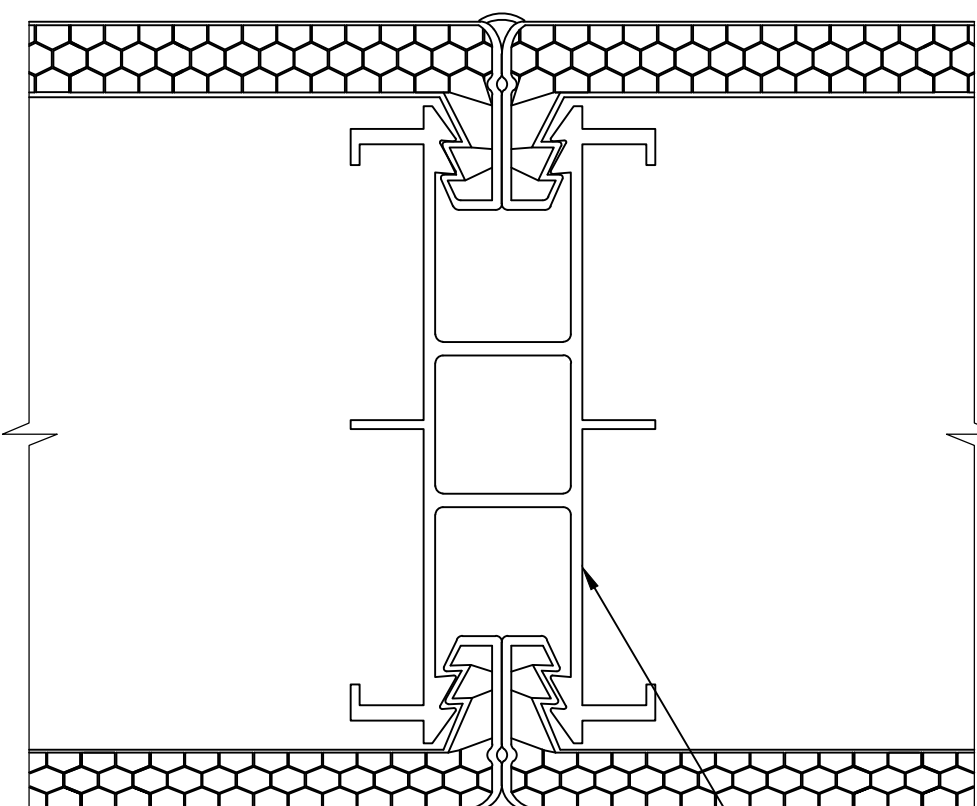


J SECTION @ BATTEN
2.75" QUADWALL SYSTEM



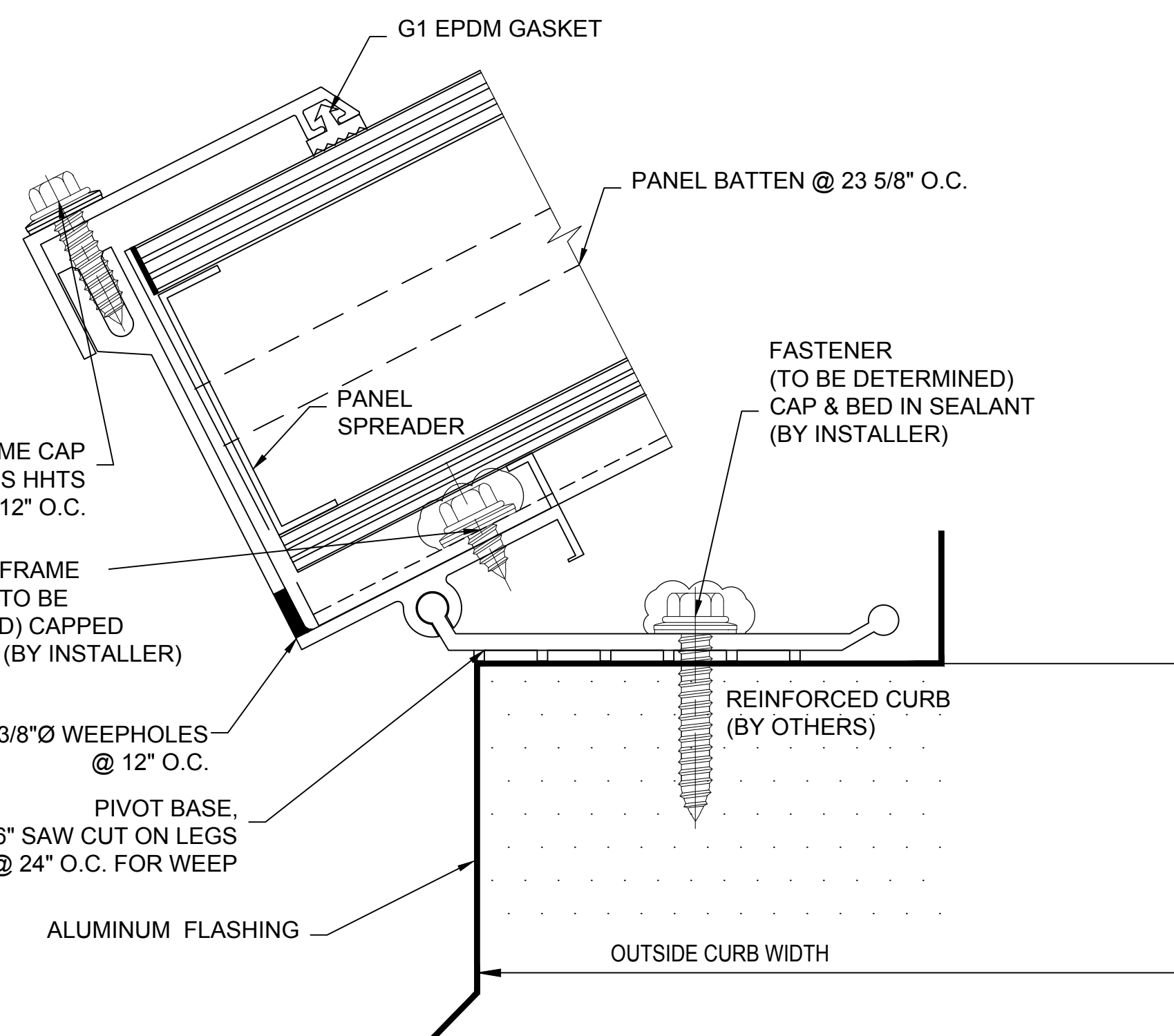
J2 SECTION @ BATTEN
2.75" QUADWALL SYSTEM

ALUM. BATTEN IS USED BASED ON SPAN & DESIGN LOADING @ 23 5/8" O.C.

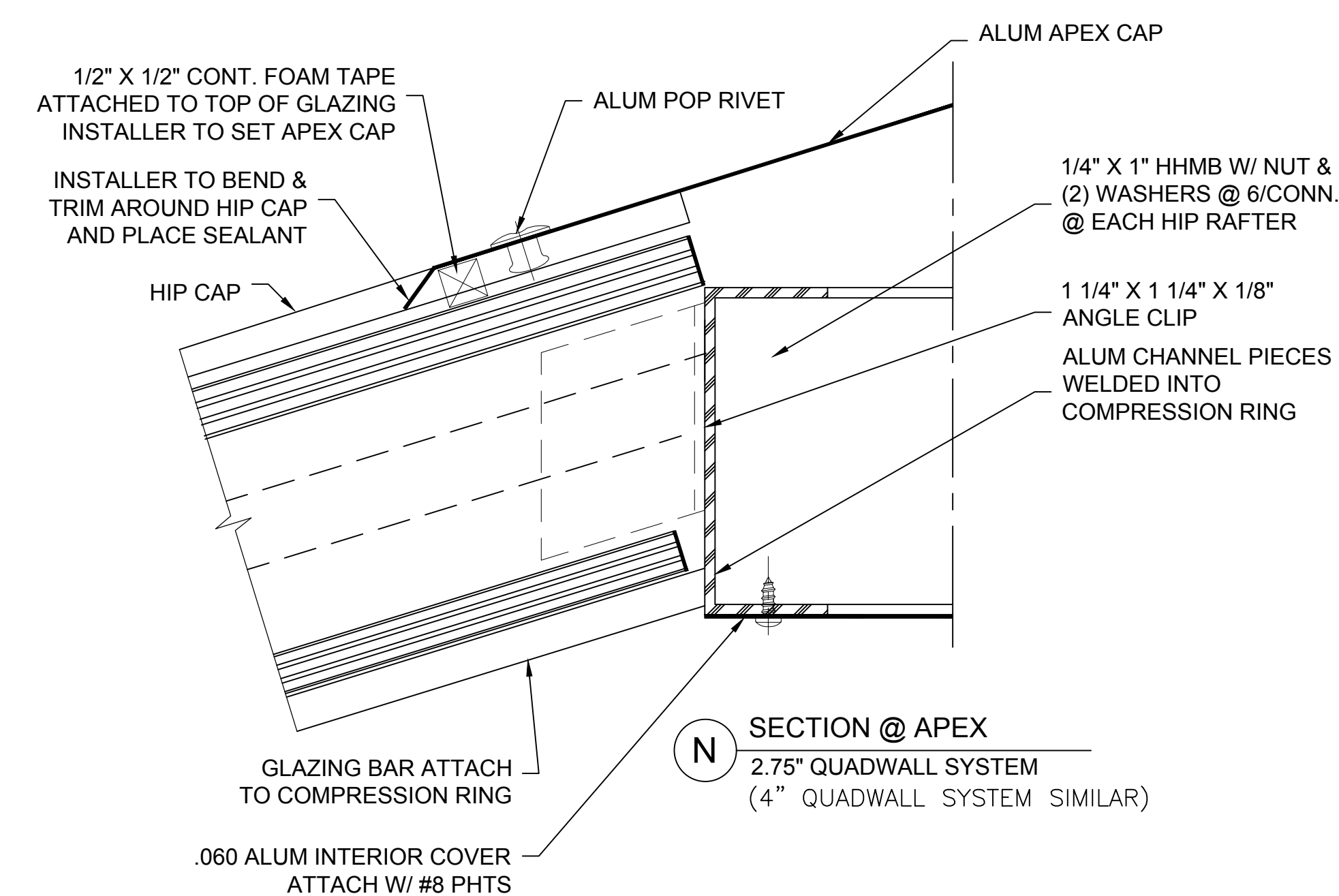


J3 SECTION @ BATTEN
4" QUADWALL SYSTEM

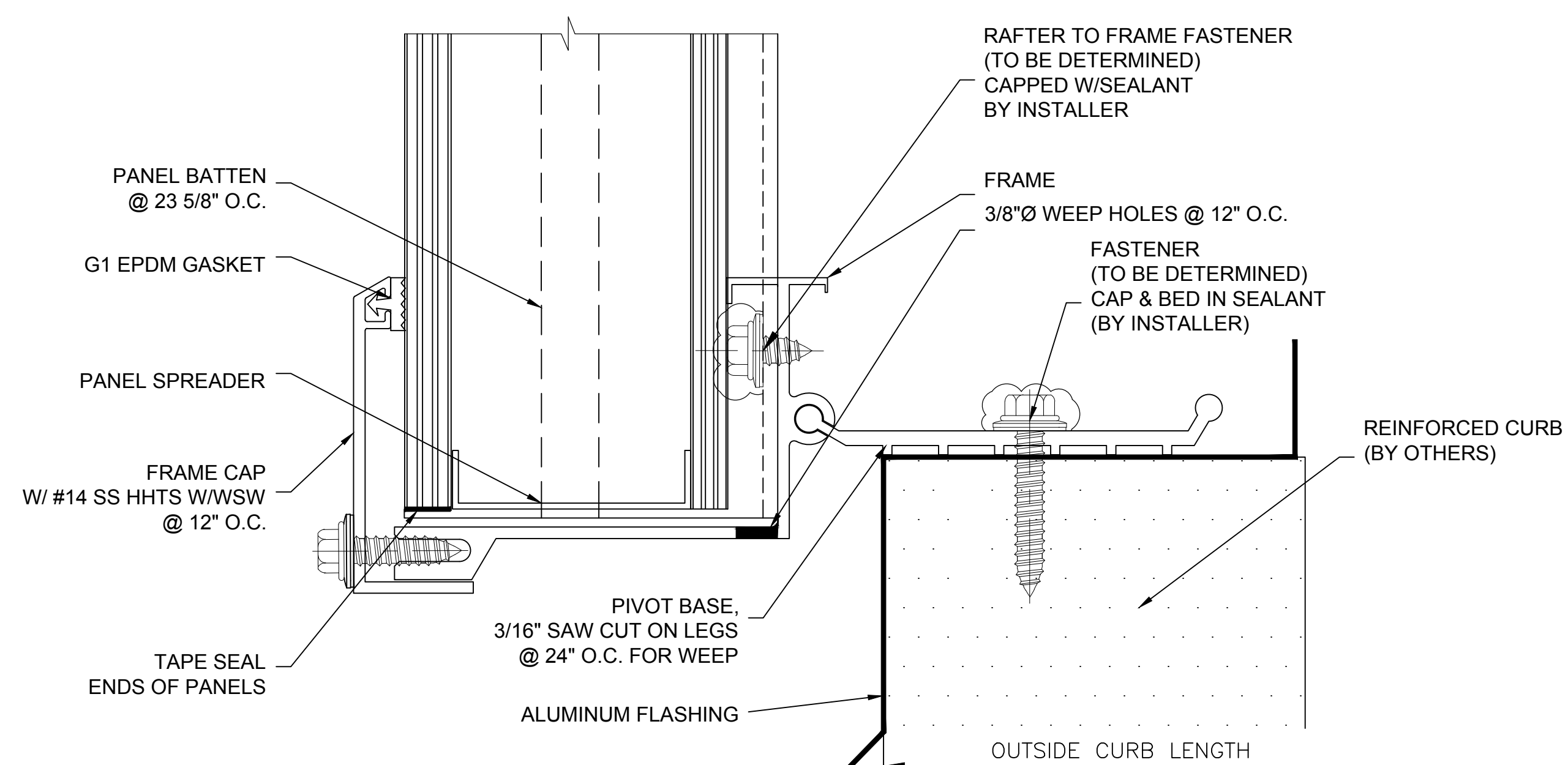
ALUM. BATTEN IS USED BASED ON SPAN & DESIGN LOADING @ 23 5/8" O.C.



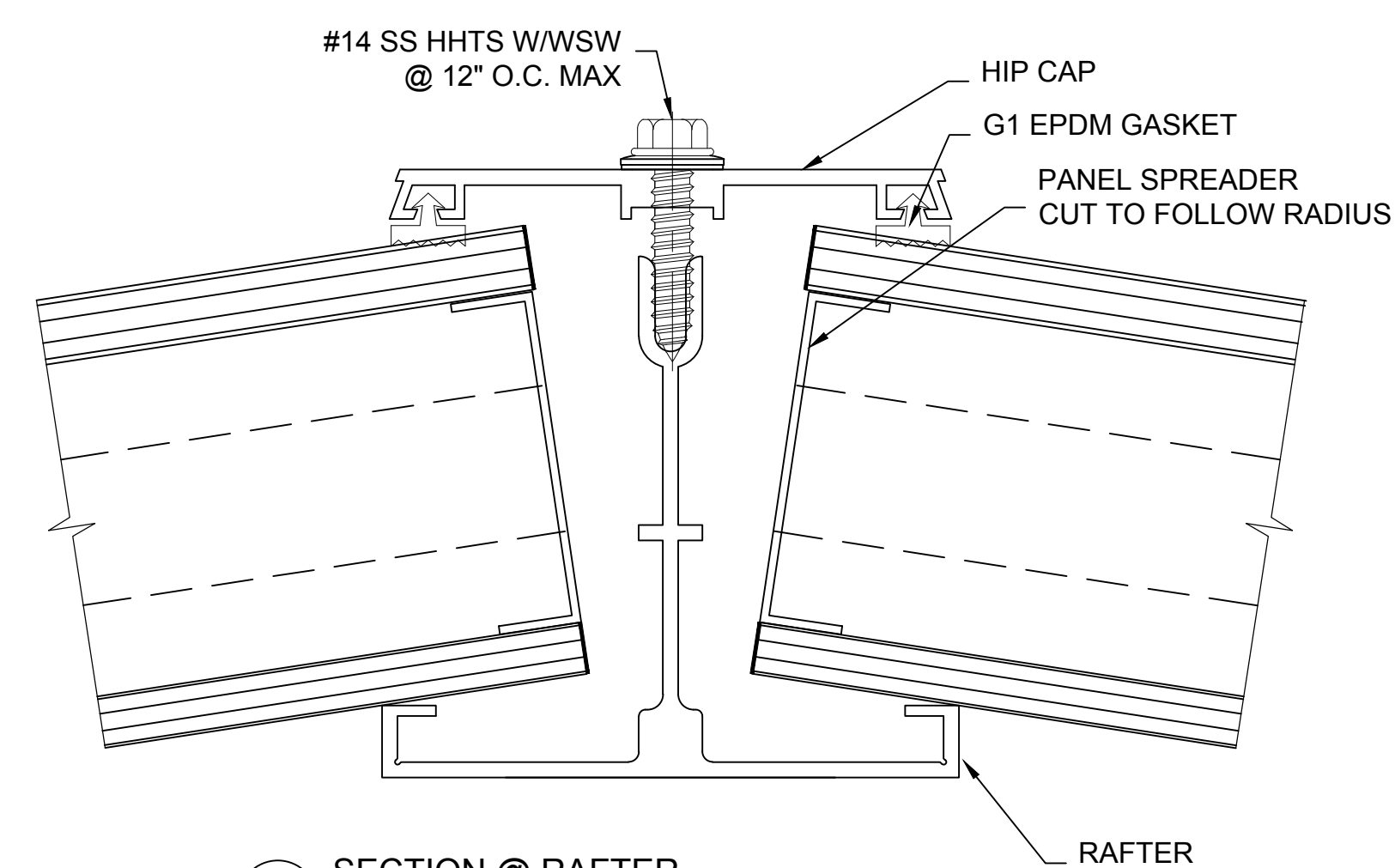
A SECTION @ SILL (LOW-RISE)
2.75" QUADWALL SYSTEM
(4" QUADWALL SYSTEM SIMILAR)



N SECTION @ APEX
2.75" QUADWALL SYSTEM
(4" QUADWALL SYSTEM SIMILAR)



B SECTION @ SILL (HALF ROUND)
2.75" QUADWALL SYSTEM
(4" QUADWALL SYSTEM SIMILAR)



L SECTION @ RAFTER
2.75" QUADWALL SYSTEM
(4" QUADWALL SYSTEM SIMILAR)

CUSTOM SKYLIGHTS
QUADWALL
DOME - SYSTEM (2.75" OR 4") DETERMINED BY DESIGN LOADS



28662 N. Ballard Drive
Lake Forest, IL 60045 USA

T: +1 847.816.1060
F: +1 847.816.0475

Note

The standard details shown are for reference only.

Please contact our Architectural Support Department for job specific details and for information regarding the usage, limitations, and/or code requirements pertaining to this product. please contact us at:

support@cpidaylighting.com

Details are subject to change and should be verified with our Architectural Support Department prior to implementation, please contact us at: support@cpidaylighting.com

SHEET NO.

2 OF 2