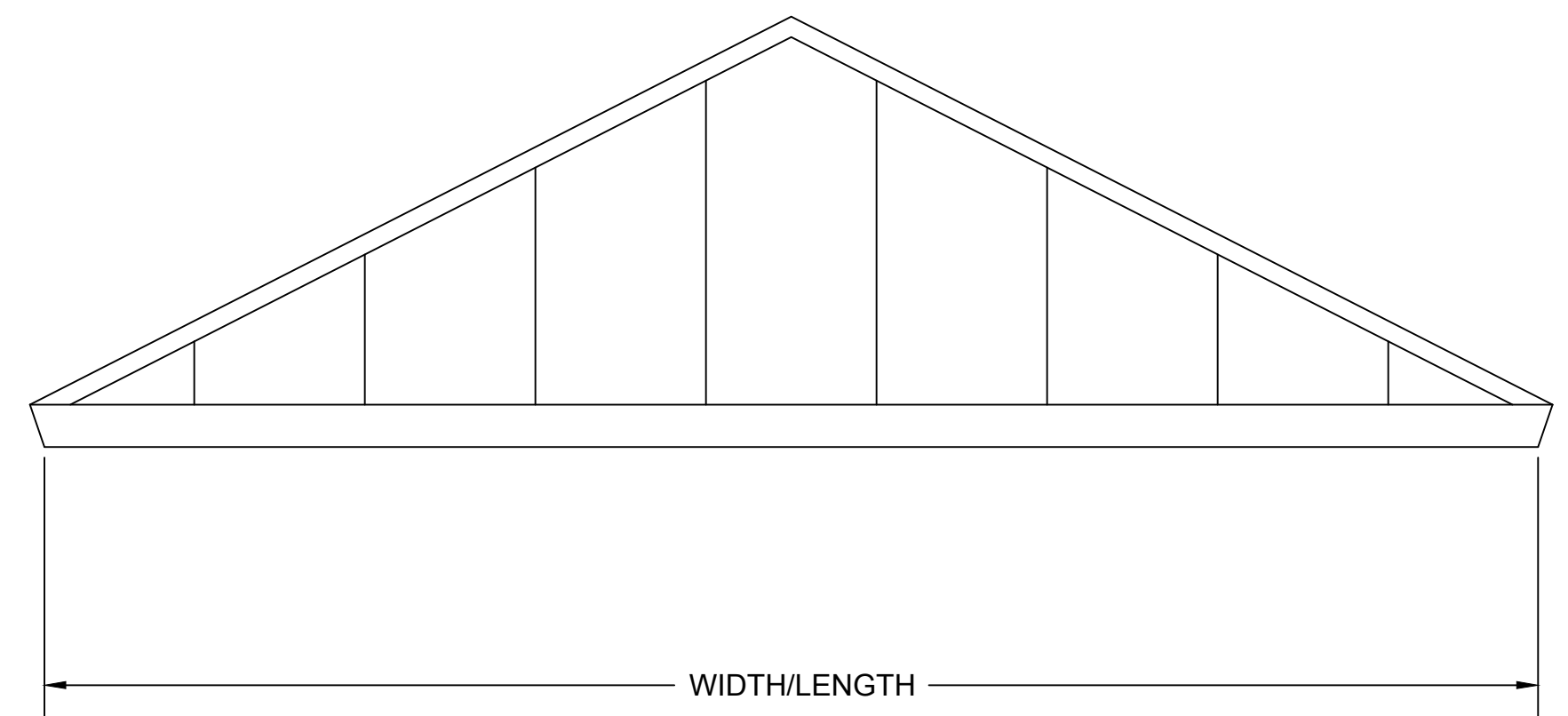
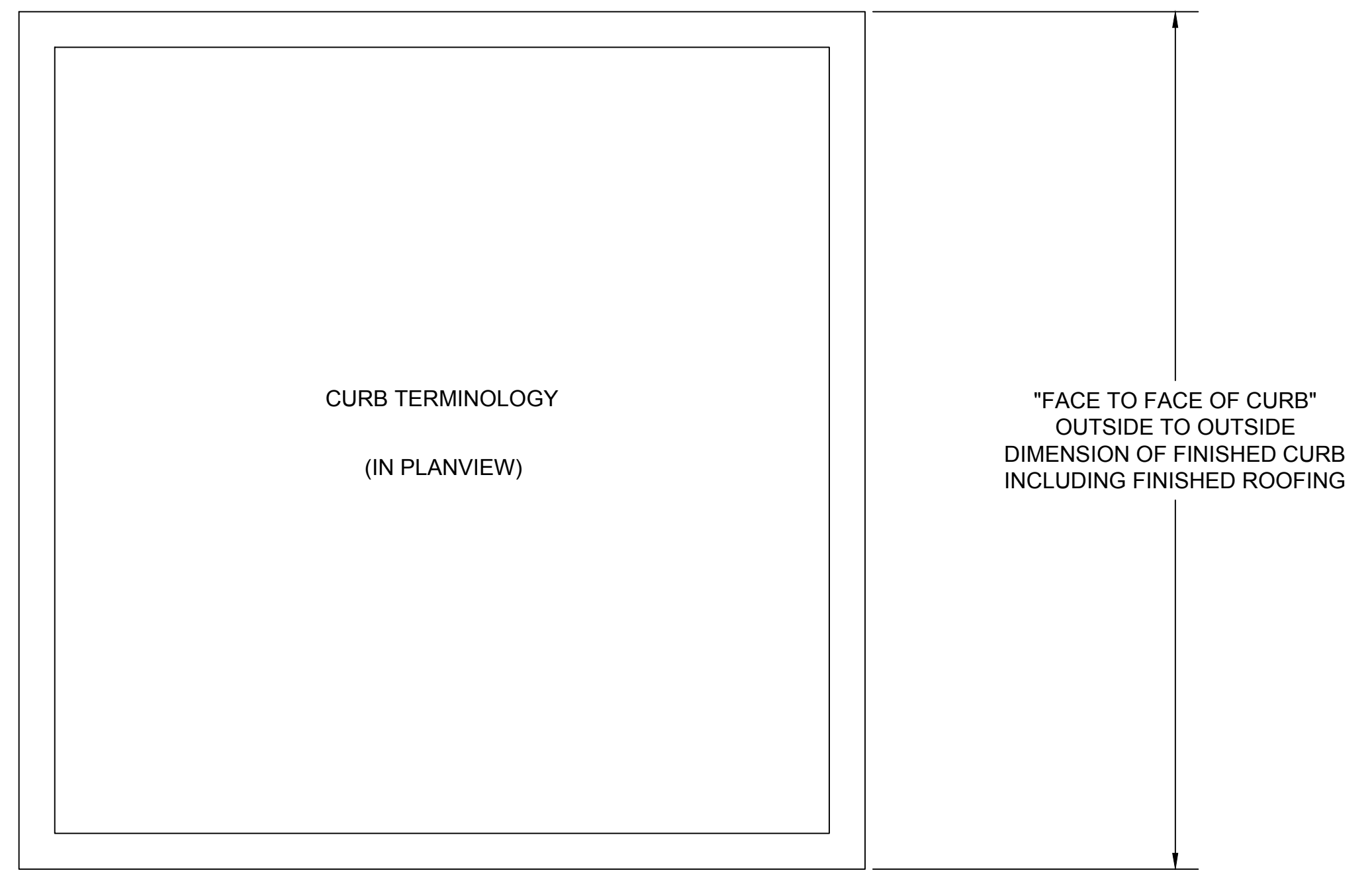
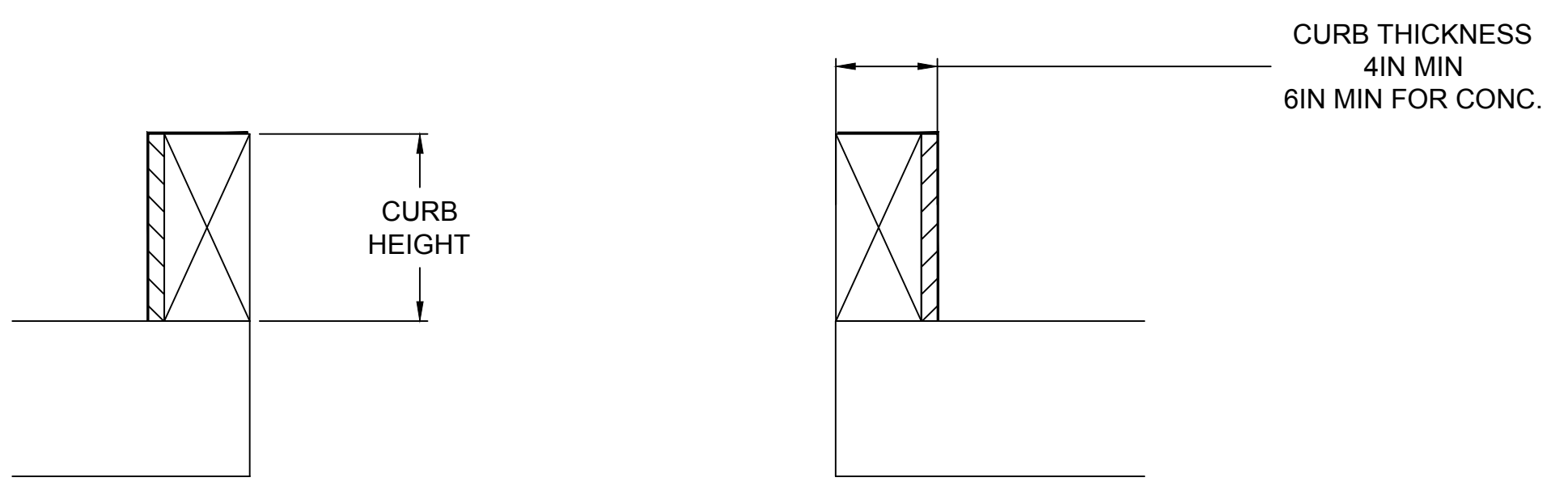


PLANVIEW

SYSTEM IS SHOWN AS 2.75" QUADWALL PANEL THICKNESS. A 4" QUADWALL PANEL THICKNESS SYSTEM IS USED BASED ON SPAN AND LOADING CONSIDERATIONS.



ELEVATION

NOTE:
RECOMMENDED MINIMUM PITCH 2:12.
FOR INSTALLATIONS REQUIRING A LESSER PITCH PLEASE CONTACT OUR ARCHITECTURAL SUPPORT DEPARTMENT

Details are subject to change and should be verified with our Architectural Support Department prior to implementation, please contact us at: support@cpidaylighting.com

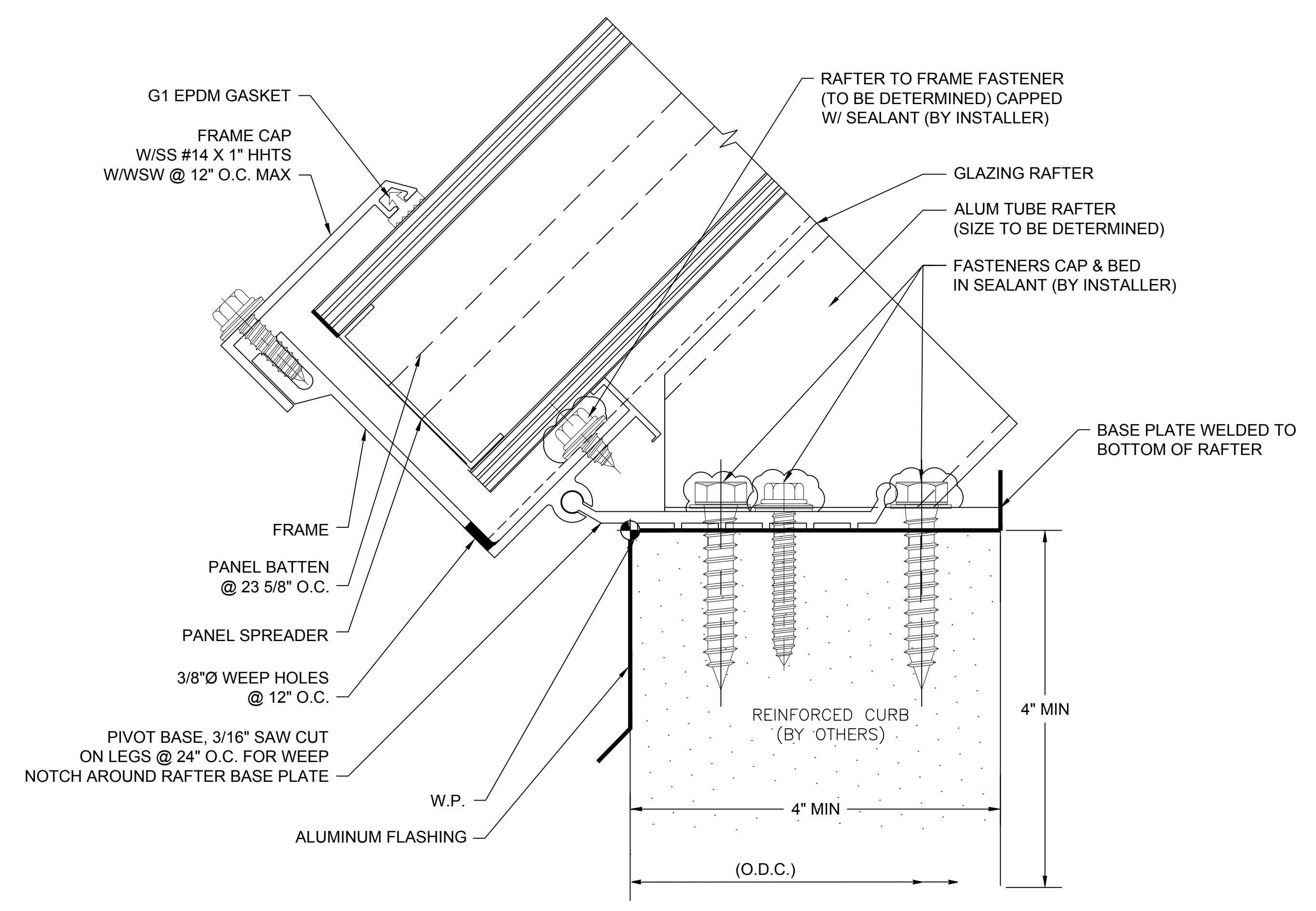
CUSTOM SKYLIGHTS
QUADWALL - LARGE SPAN w/ ADDED STRUCTURE
PYRAMID - SYSTEM (2.75" OR 4") DETERMINED BY DESIGN LOADS



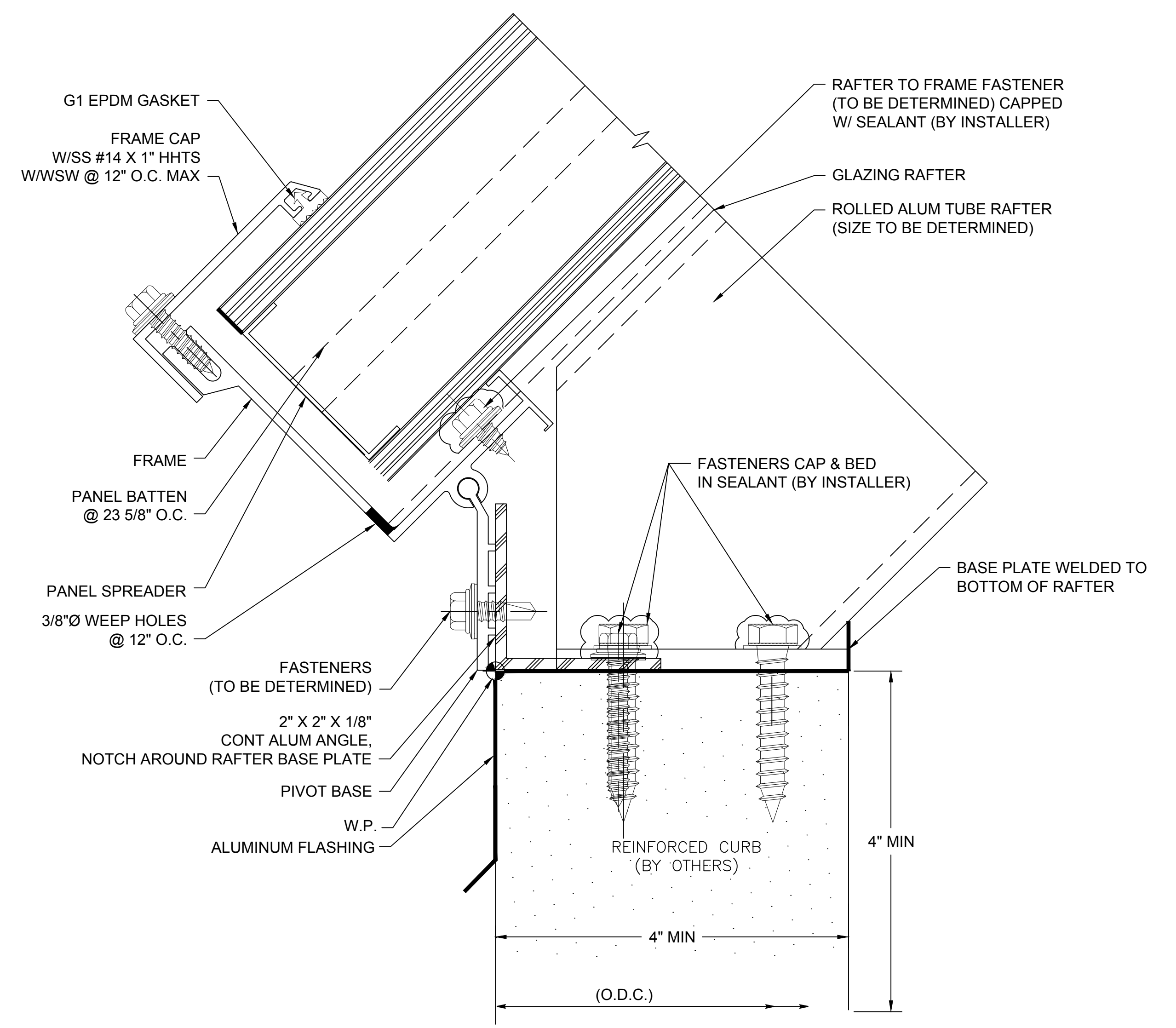
28662 N. Ballard Drive
Lake Forest, IL 60045 USA
 T: +1 847.816.1060
 F: +1 847.816.0475

Note
 The standard details shown are for reference only.
 Please contact our Architectural Support Department for job specific details and for information regarding the usage, limitations, and or code requirements pertaining to this product, please contact us at:
support@cpidaylighting.com

Note
 The standard details shown are for reference only.
 Please contact our Architectural Support Department for job specific details and for information regarding the usage, limitations, and or code requirements pertaining to this product, please contact us at:
 support@cpidaylighting.com

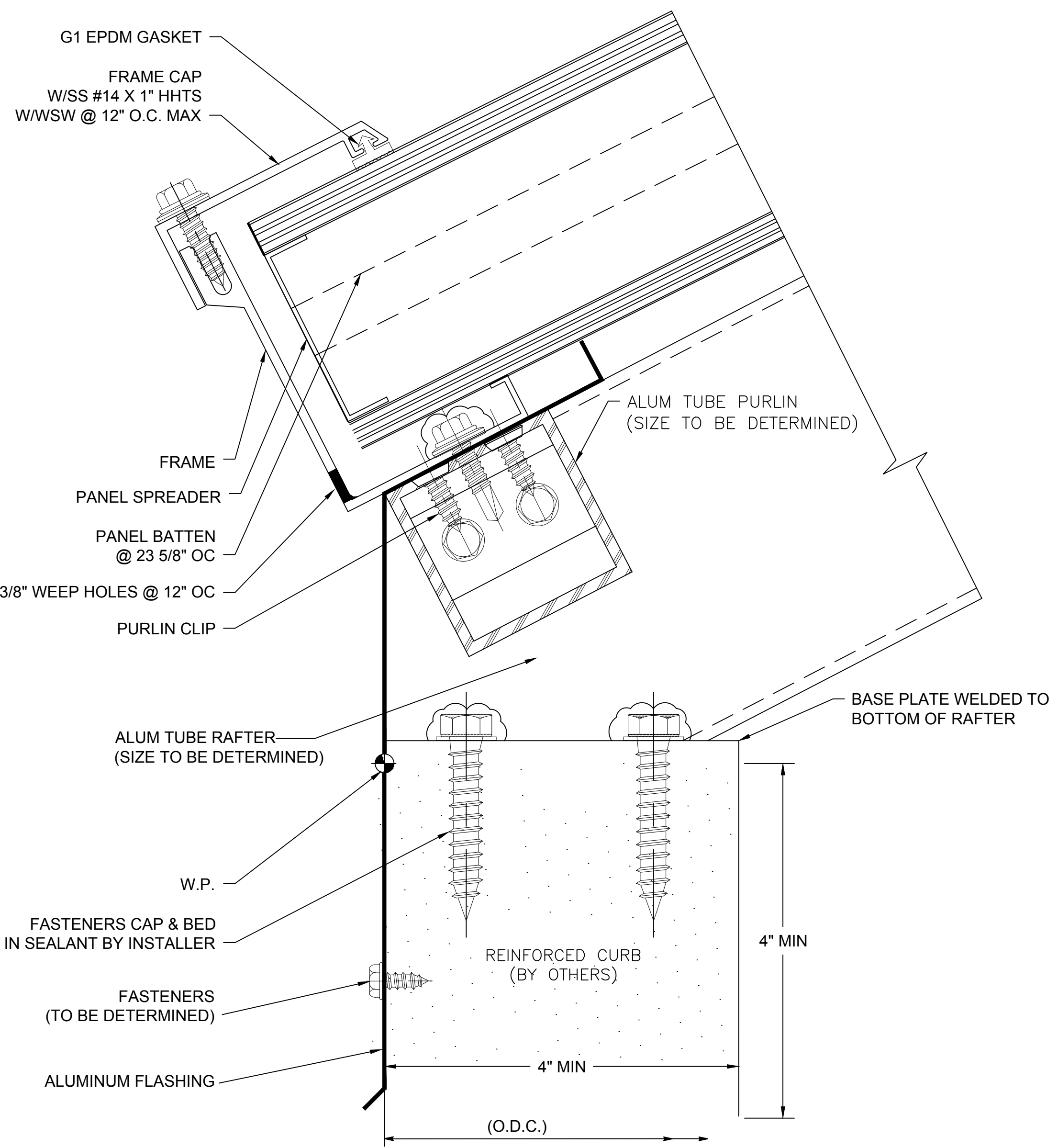


A SECTION @ SILL (FLAT CURB)
 2.75" QUADWALL SYSTEM
 (4" QUADWALL SYSTEM SIMILAR)

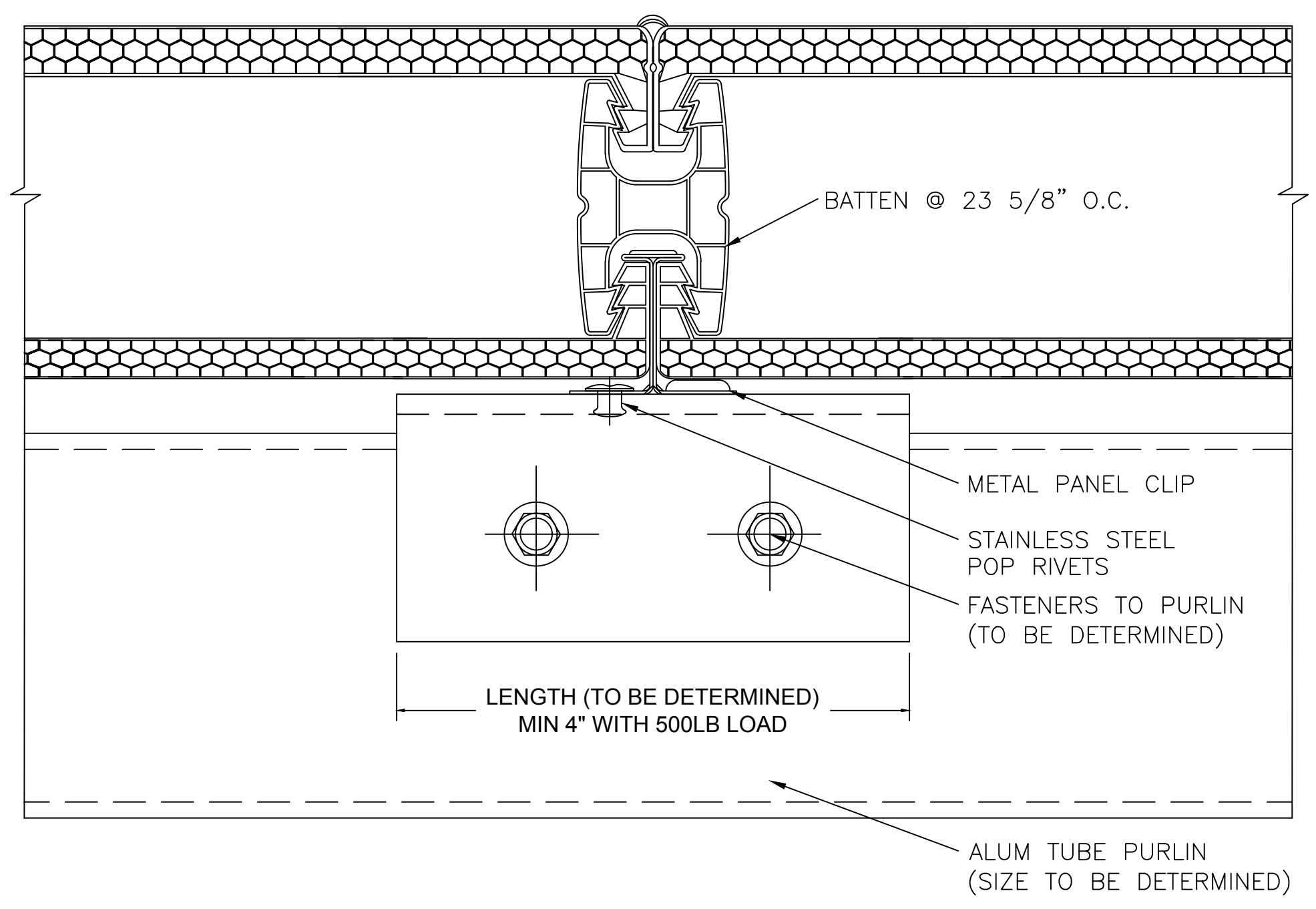


C SECTION @ SILL (FLAT CURB)
 2.75" QUADWALL SYSTEM
 (4" QUADWALL SYSTEM SIMILAR)

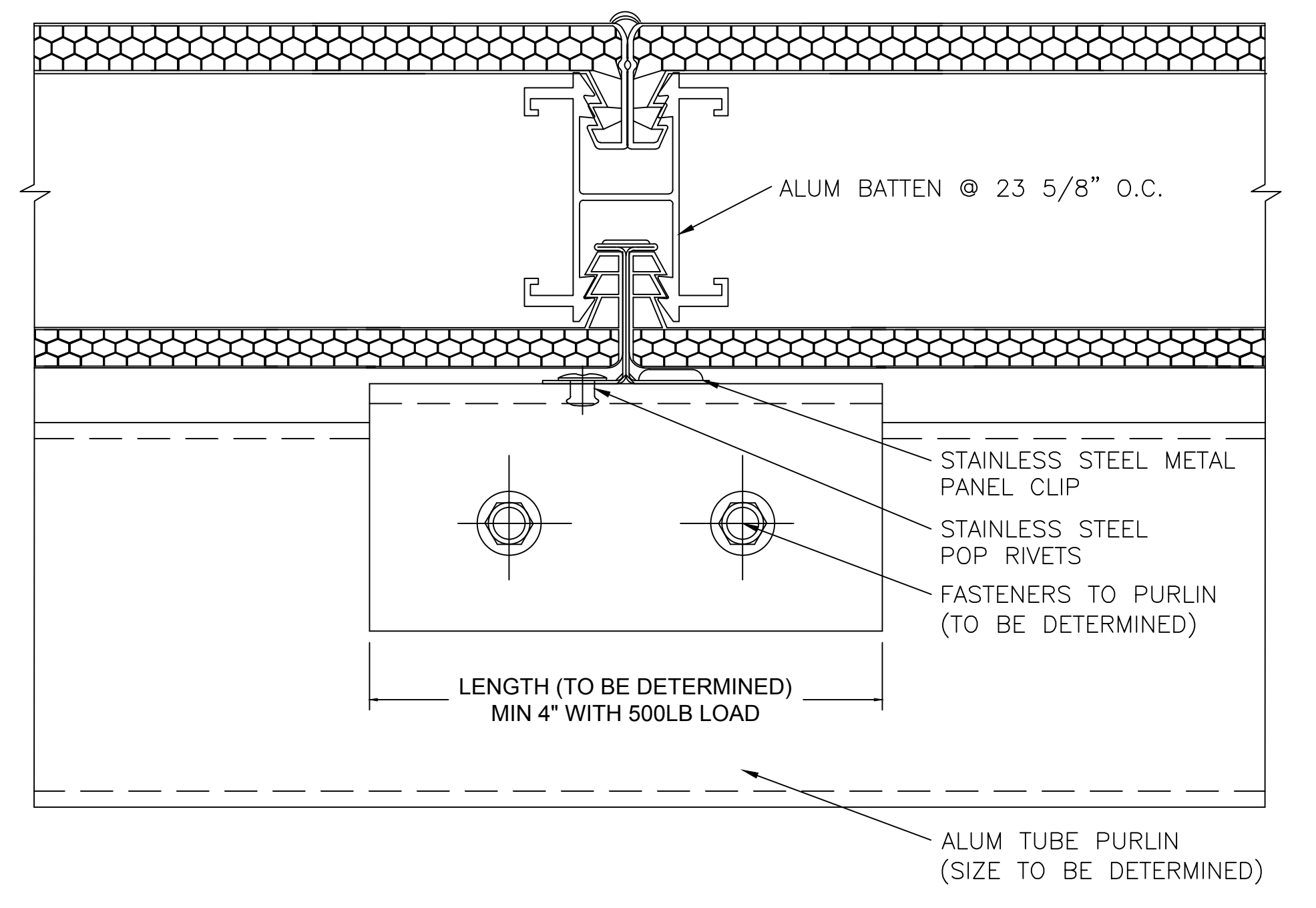
Details are subject to change and should be verified with our Architectural Support Department prior to implementation, please contact us at: support@cpidaylighting.com



D SECTION @ SILL (FLAT CURB)
 2.75" QUADWALL SYSTEM
 (4" QUADWALL SYSTEM SIMILAR)

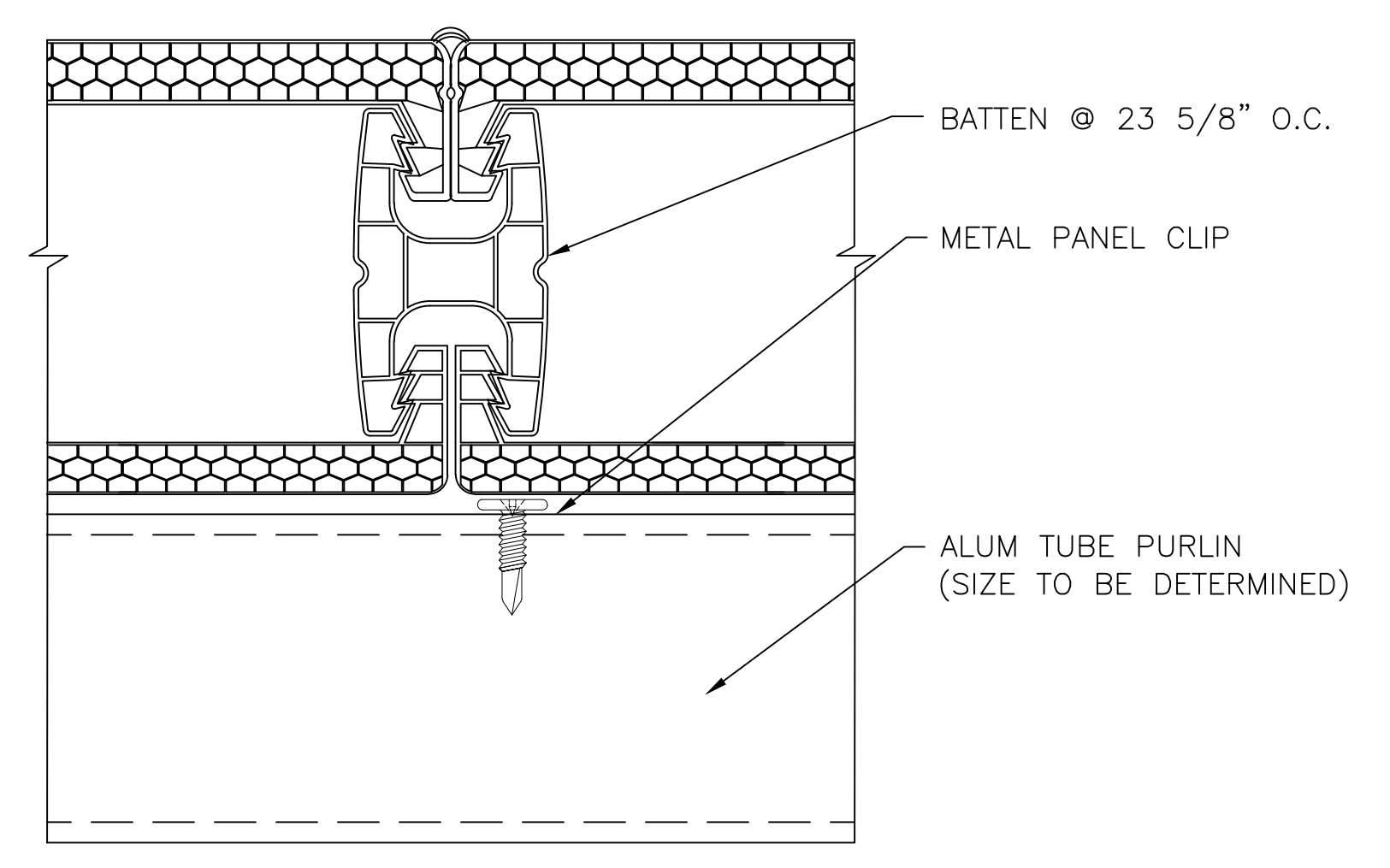


K SECTION @ BATTEN
 2.75" QUADWALL SYSTEM
 (4" QUADWALL SYSTEM SIMILAR)

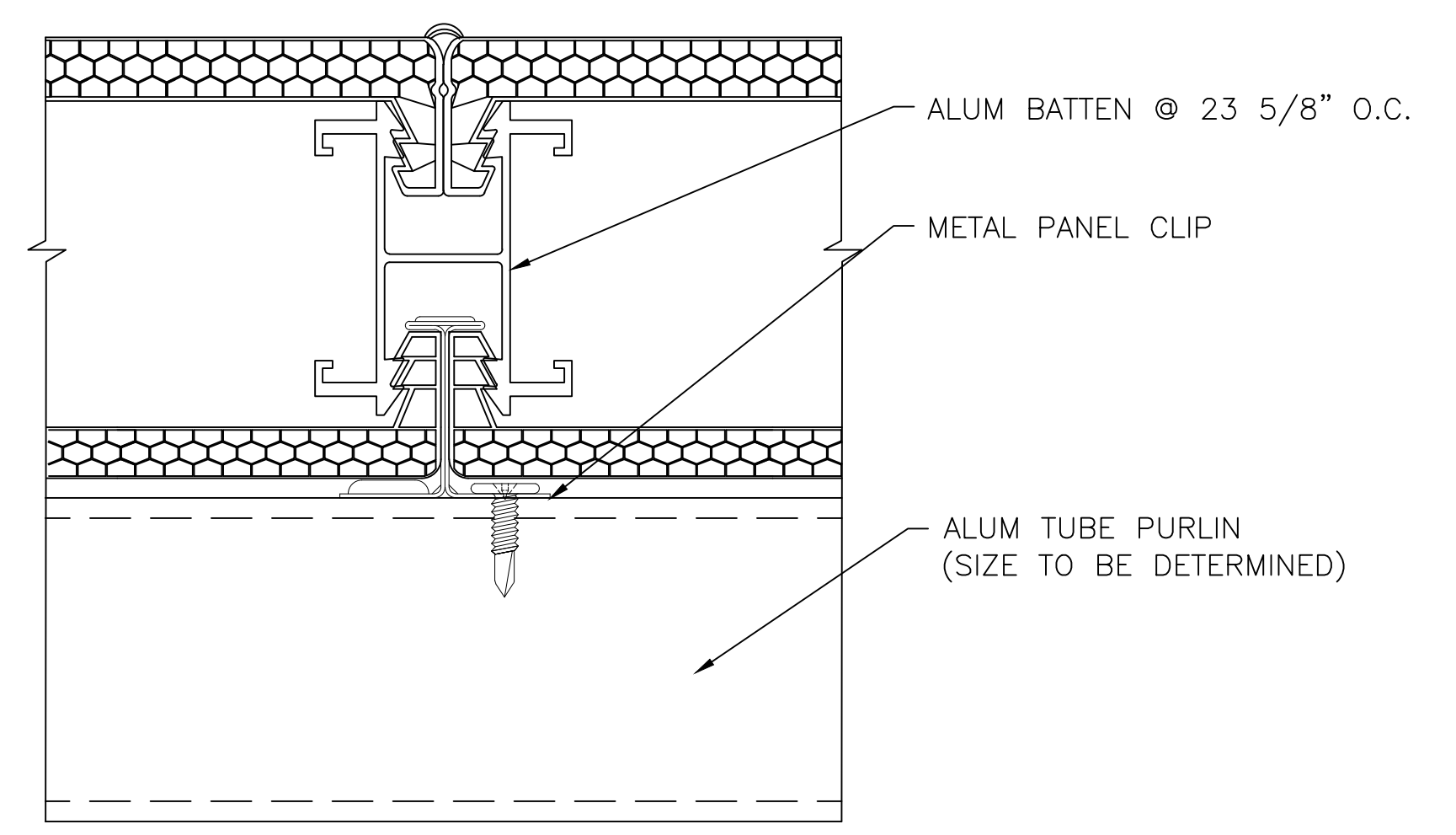


K₂ SECTION @ BATTEN
 2.75" QUADWALL SYSTEM
 (4" QUADWALL SYSTEM SIMILAR)

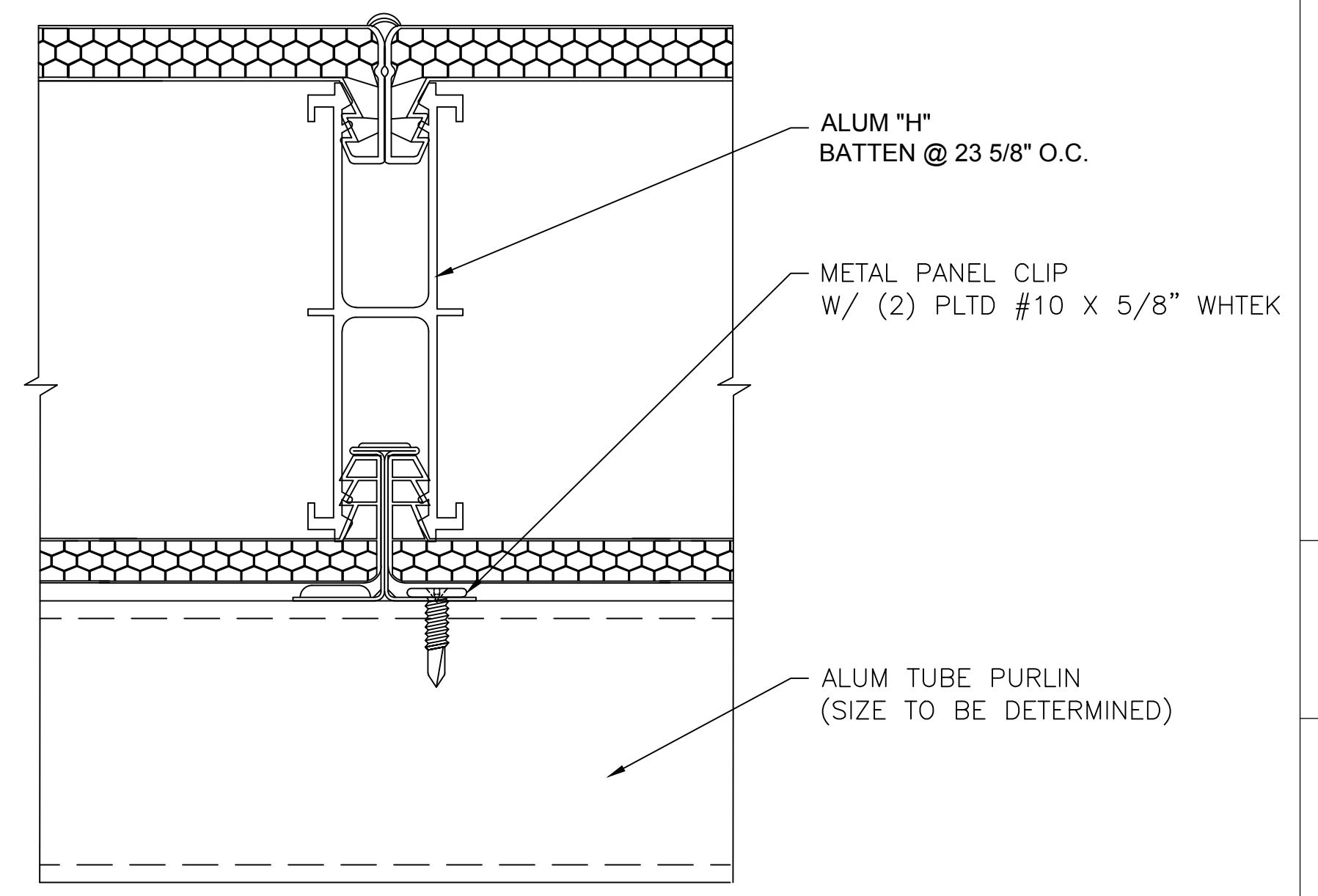
NOTE: THESE DETAILS OCCUR WHEN GLAZING IS SHIPPED IN PANELIZED SECTIONS.



L SECTION @ BATTEN
 2.75" QUADWALL SYSTEM



L₂ SECTION @ BATTEN
 2.75" QUADWALL SYSTEM



L₃ SECTION @ BATTEN
 4" QUADWALL SYSTEM

NOTE: THESE DETAILS OCCUR WHEN GLAZING IS SHIPPED KNOCKED DOWN.

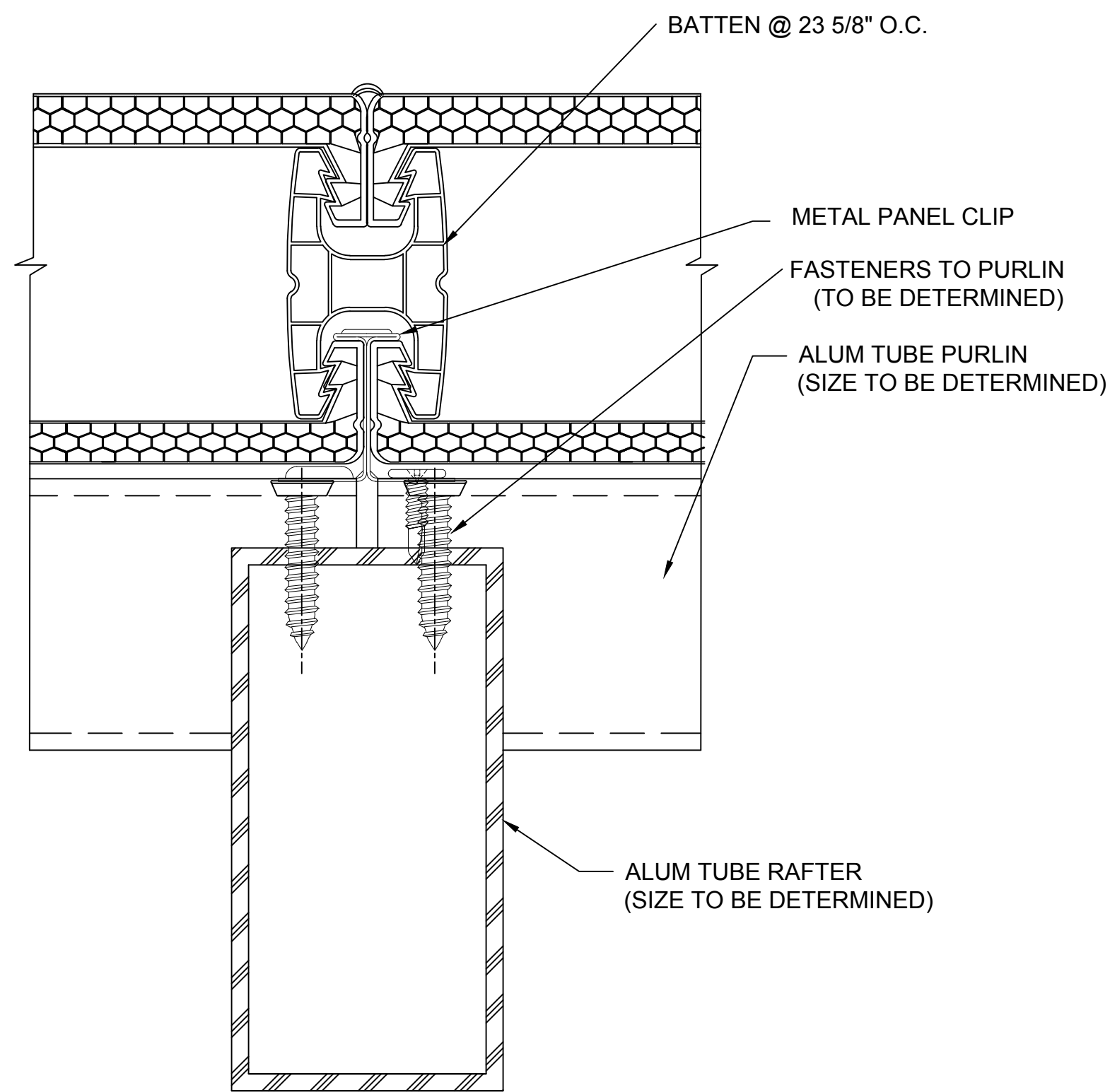
Details are subject to change and should be verified with our Architectural Support Department prior to implementation, please contact us at: support@cpidaylighting.com

CUSTOM SKYLIGHTS
 QUADWALL - LARGE SPAN W/ ADDED STRUCTURE
 PYRAMID - SYSTEM (2.75" OR 4") DETERMINED BY DESIGN LOADS

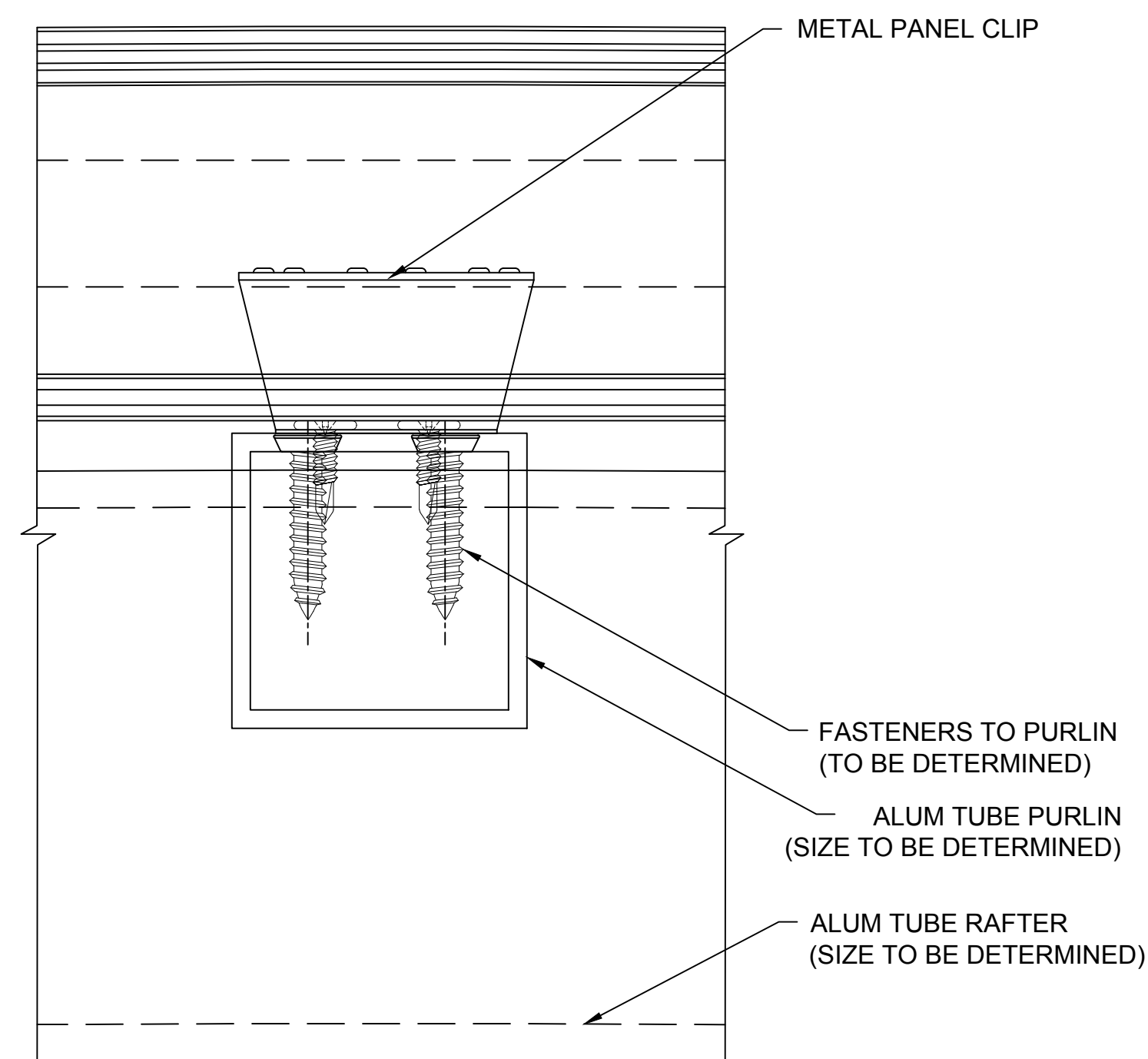


28662 N. Ballard Drive
 Lake Forest, IL 60045 USA
 T: +1 847.816.1060
 F: +1 847.816.0475

Note
 The standard details shown are for reference only.
 Please contact our Architectural Support Department for job specific details and for information regarding the usage, limitations, and or code requirements pertaining to this product, please contact us at:
support@cpidaylighting.com

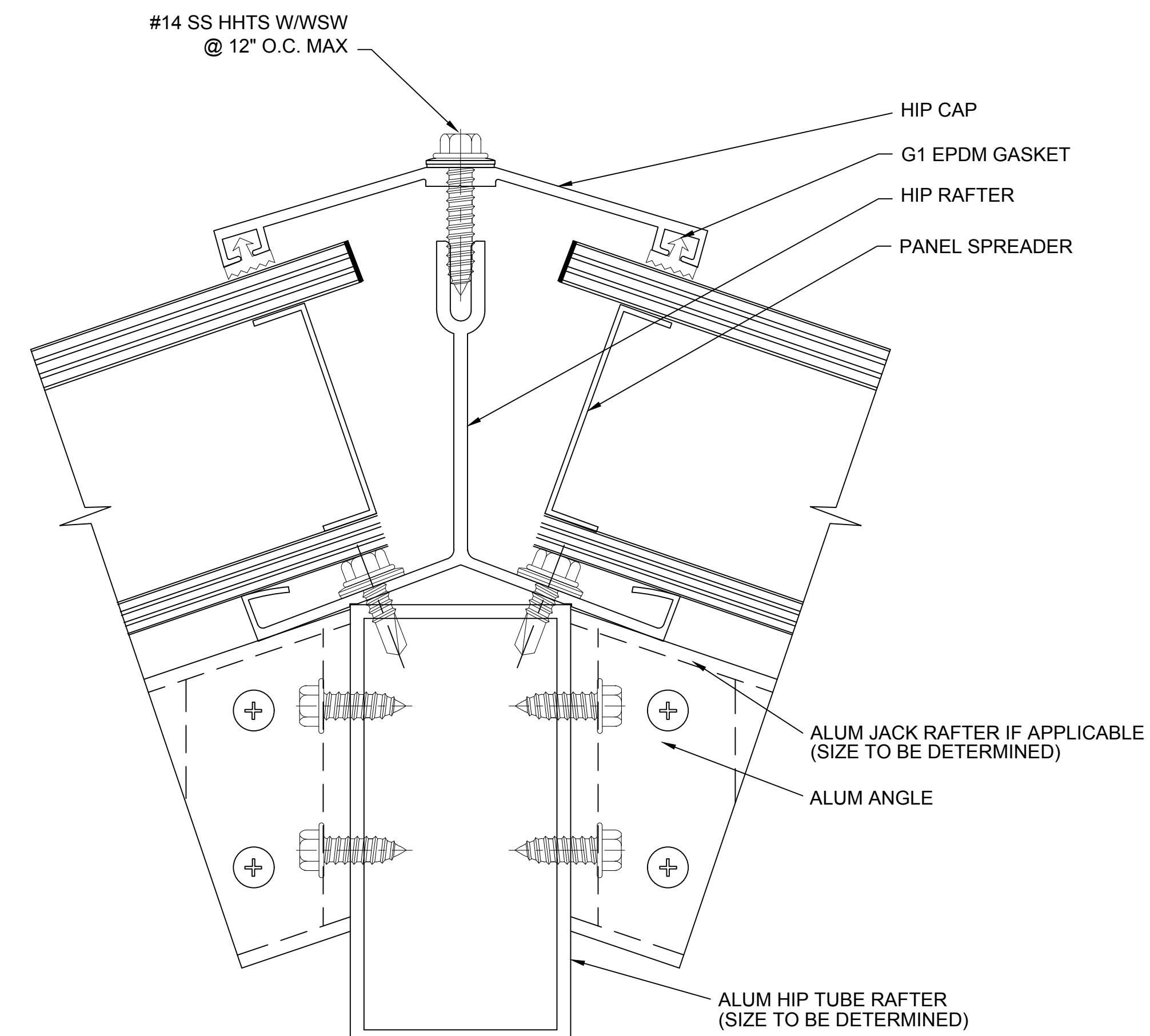


N SECTION @ RAFTER
2.75" QUADWALL SYSTEM
(4" QUADWALL SYSTEM SIMILAR)



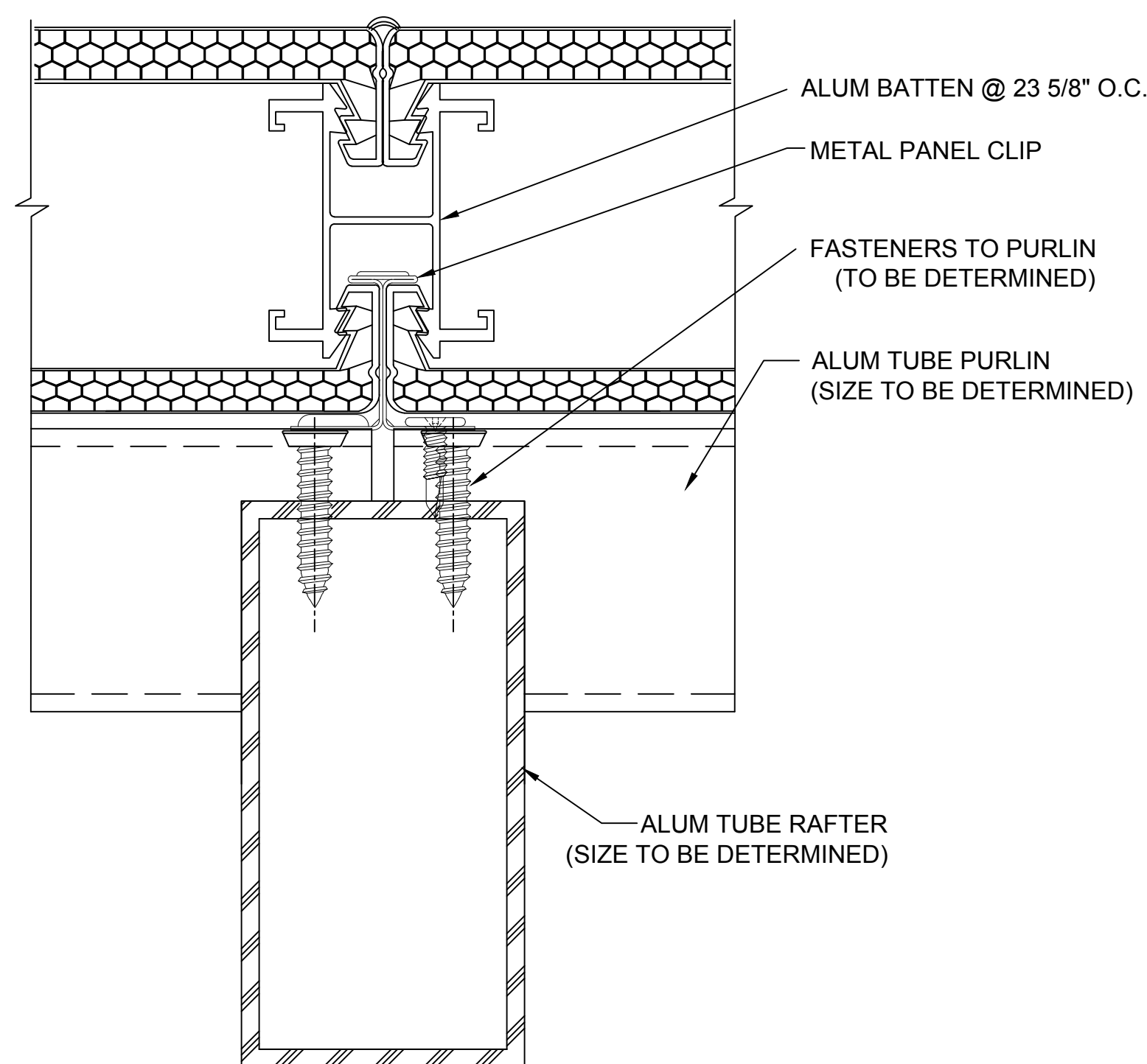
O SECTION @ PURLINS
2.75" QUADWALL SYSTEM
(4" QUADWALL SYSTEM SIMILAR)

NOTE: THIS DETAIL OCCURS WHEN GLAZING IS SHIPPED KNOCKED DOWN.



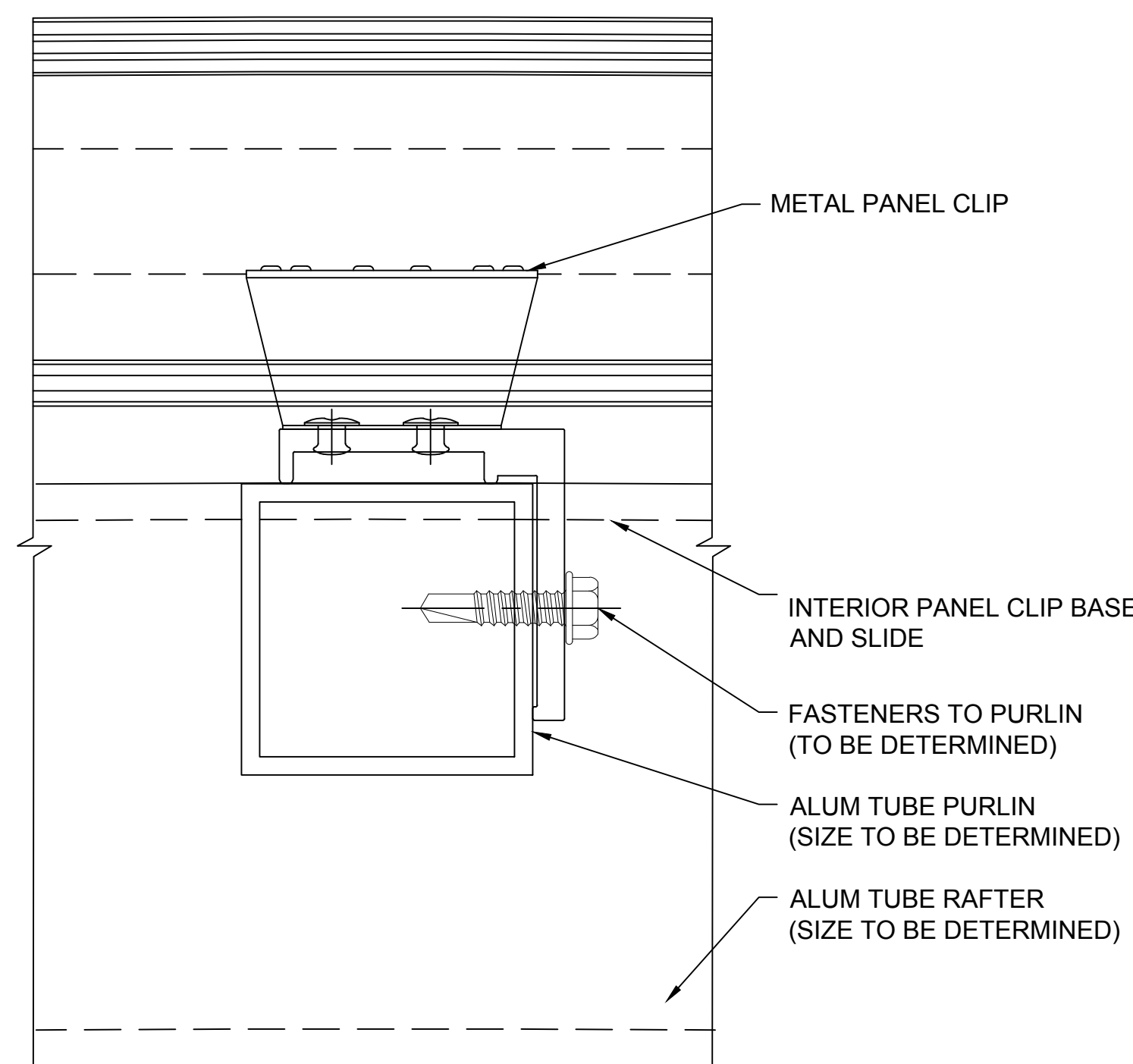
P SECTION @ HIP
2.75" QUADWALL SYSTEM
(4" QUADWALL SYSTEM SIMILAR)

NOTE: AT JACK RAFTER LOCATIONS IF APPLICABLE



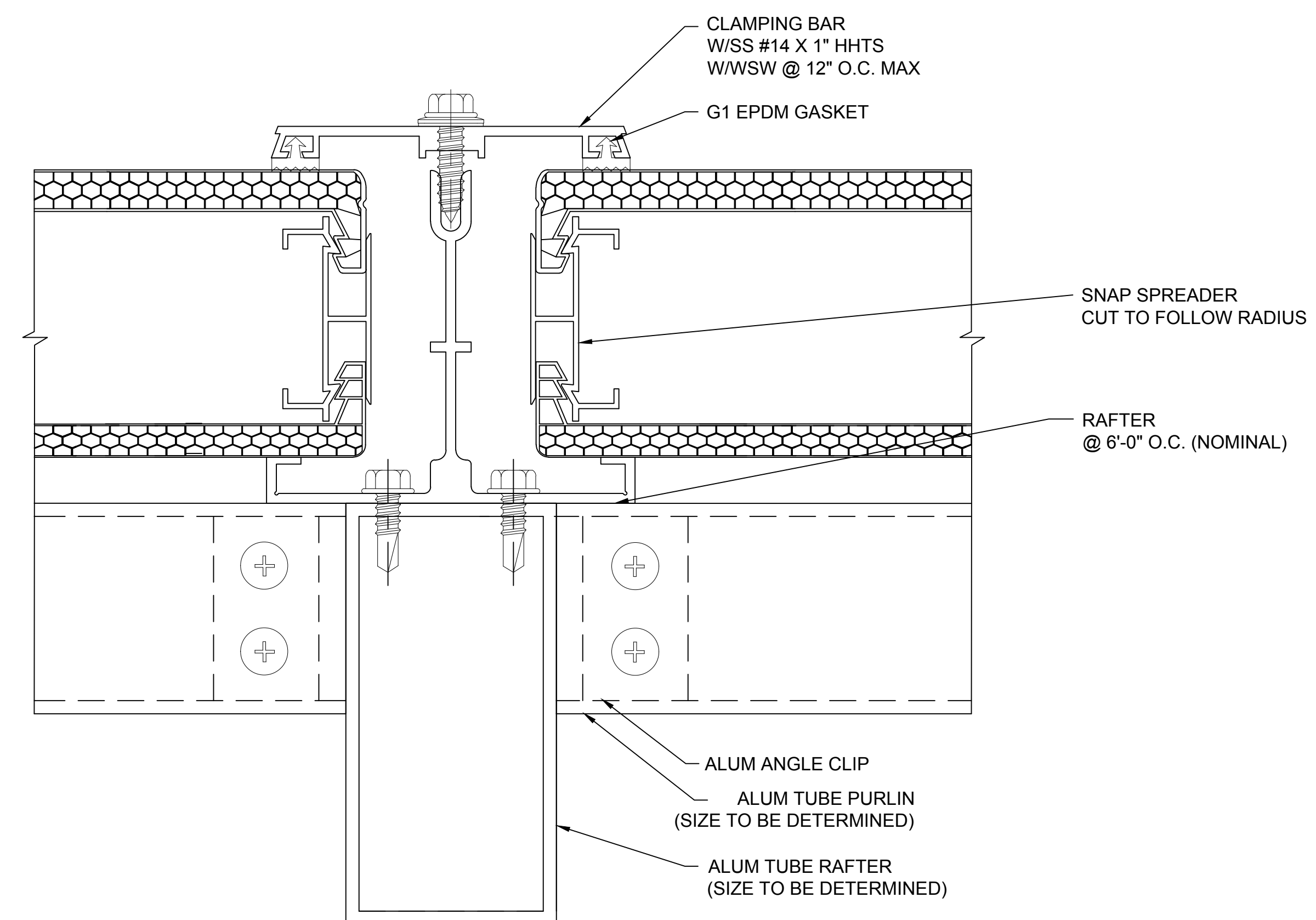
N₂ SECTION @ RAFTER
2.75" QUADWALL SYSTEM
(4" QUADWALL SYSTEM SIMILAR)

NOTE: THESE DETAILS OCCUR WHEN GLAZING IS SHIPPED KNOCKED DOWN.



O₂ SECTION @ PURLINS
2.75" QUADWALL SYSTEM
(4" QUADWALL SYSTEM SIMILAR)

NOTE: THIS DETAIL OCCURS WHEN GLAZING IS SHIPPED IN PANELIZED SECTIONS.



M SECTION @ RAFTER
2.75" QUADWALL SYSTEM
(4" QUADWALL SYSTEM SIMILAR)

NOTE: THESE DETAILS OCCUR WHEN GLAZING IS SHIPPED IN PANELIZED SECTIONS.

Details are subject to change and should be verified with our Architectural Support Department prior to implementation, please contact us at: support@cpidaylighting.com

CUSTOM SKYLIGHTS
QUADWALL - LARGE SPAN W/ ADDED STRUCTURE
PYRAMID - SYSTEM (2.75" OR 4") DETERMINED BY DESIGN LOADS

CPI Daylighting
Building Envelope Solutions

Kingspan
Light+Air

28662 N. Ballard Drive
Lake Forest, IL 60045 USA

T: +1 847.816.1060
F: +1 847.816.0475

Note

The standard details shown are for reference only.

Please contact our Architectural Support Department for job specific details and for information regarding the usage, limitations, and or code requirements pertaining to this product, please contact us at:

support@cpidaylighting.com

SHEET NO.

4 OF 4