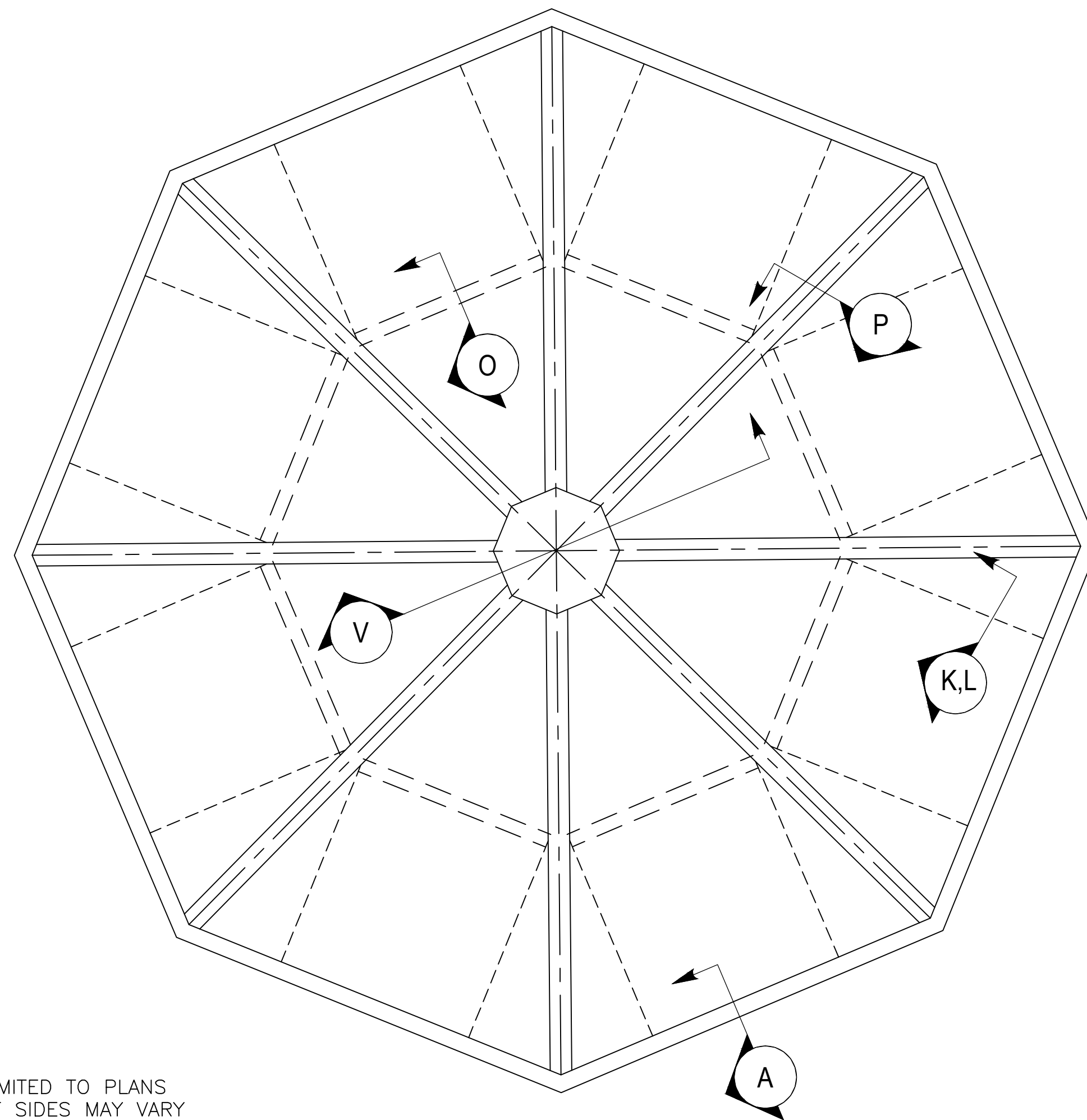
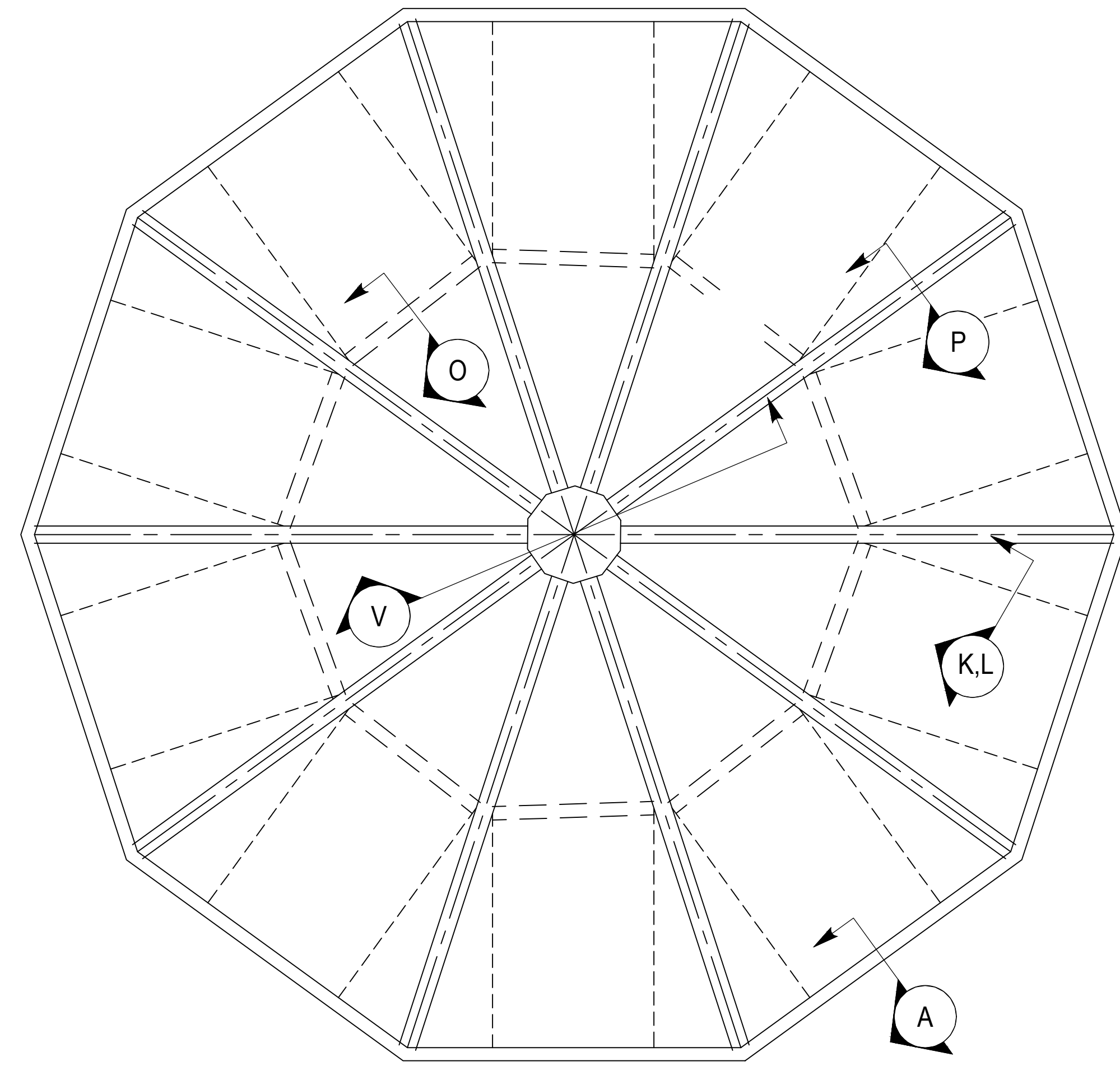


PLANVIEW
SIX (6) SIDED UNIT

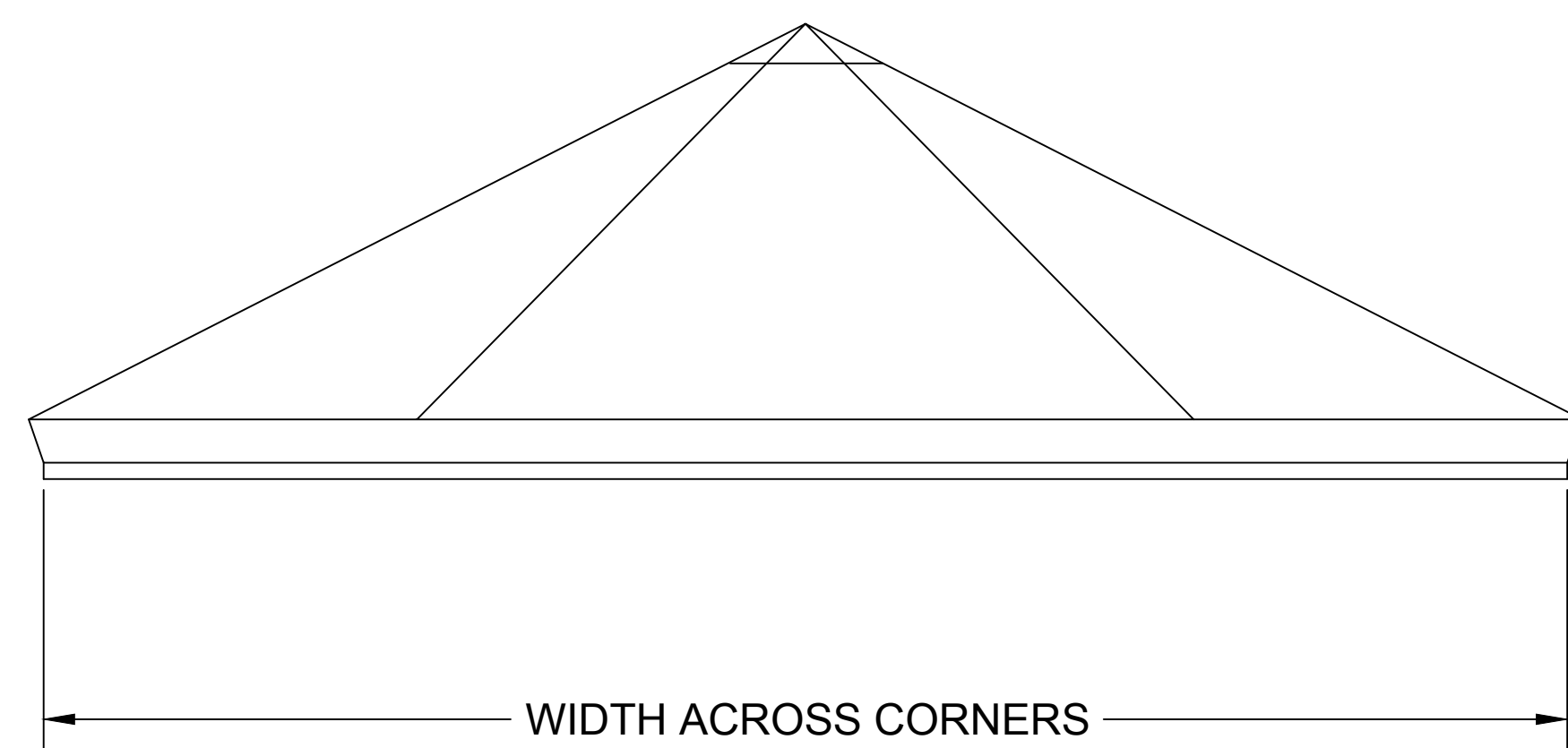


PLANVIEW
EIGHT (8) SIDED UNIT

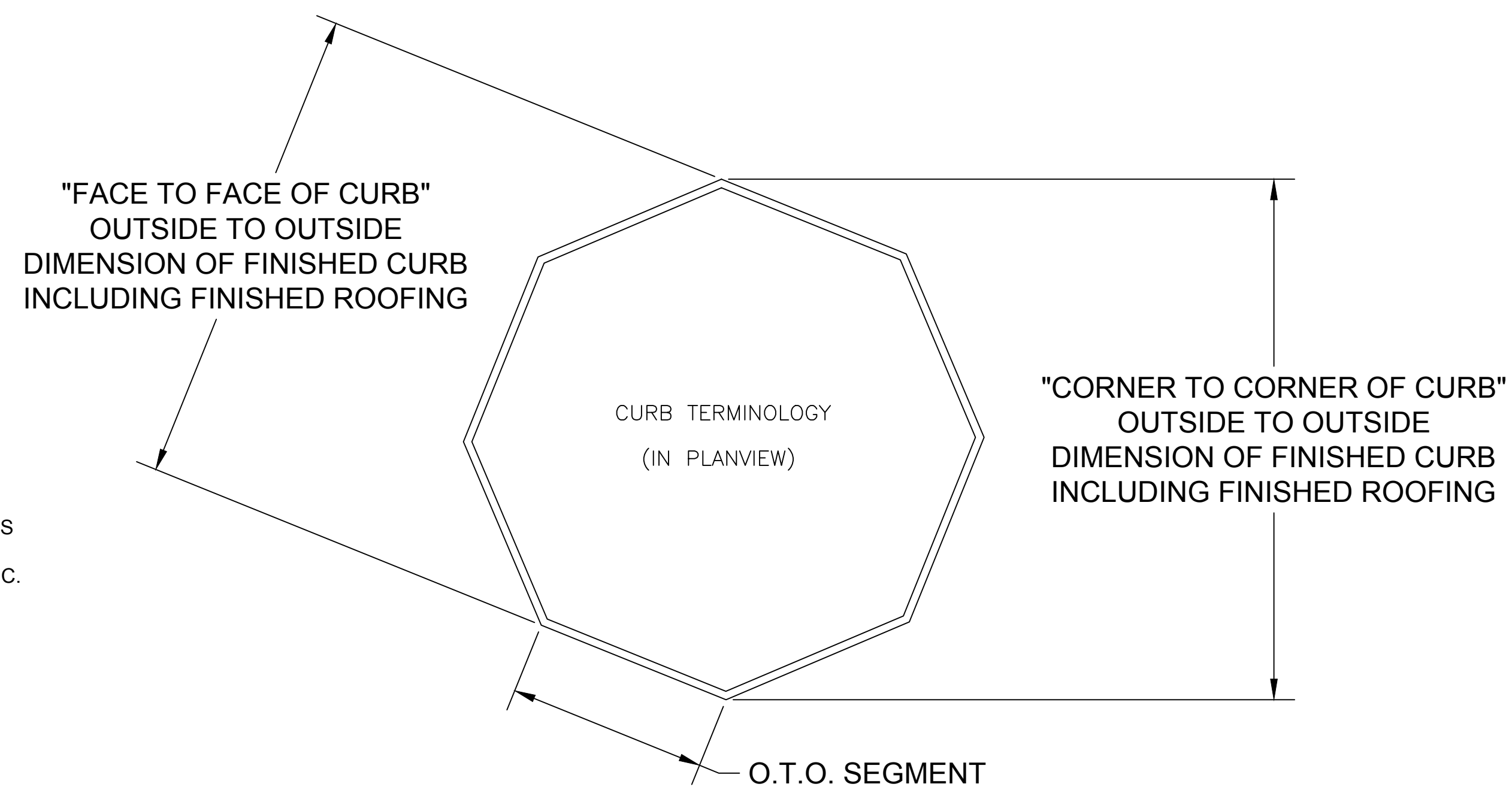
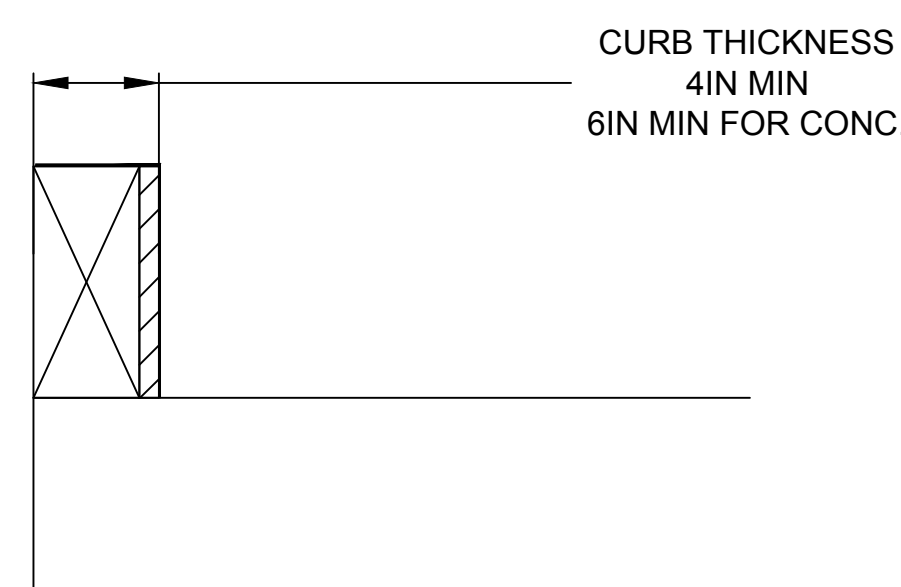
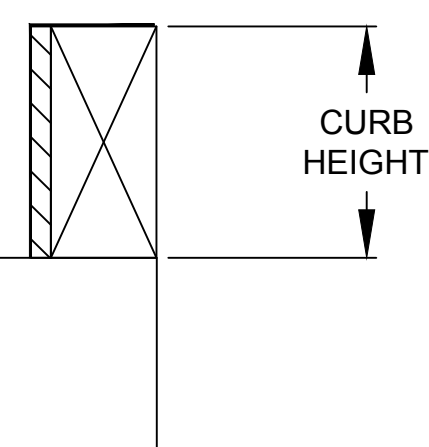


PLANVIEW
TEN (10) SIDED UNIT

NOTE:
POLYGON DESIGN NOT LIMITED TO PLANS
SHOWN. THE NUMBER OF SIDES MAY VARY
ACCORDING TO SPAN, LOADS, AND DESIRED
AESTHETIC



ELEVATION



NOTE:
RECOMMENDED MINIMUM PITCH 2:12.
FOR INSTALLATIONS REQUIRING A LESSER
PITCH PLEASE CONTACT OUR ARCHITECTURAL
SUPPORT DEPARTMENT

SYSTEM IS SHOWN AS 2.75" QUADWALL PANEL
THICKNESS. A 4" QUADWALL PANEL THICKNESS
SYSTEM IS USED BASED ON SPAN AND LOADING
CONSIDERATIONS.

Details are subject to change and should be
verified with our Architectural Support
Department prior to implementation, please
contact us at: support@cpidaylighting.com

CUSTOM SKYLIGHTS

QUADWALL - LARGE SPAN W/ ADDED STRUCTURE
POLYGON - SYSTEM (2.75" OR 4") DETERMINED BY DESIGN LOADS



28662 N. Ballard Drive
Lake Forest, IL 60045 USA
T: +1 847.816.1060
F: +1 847.816.0475

Note

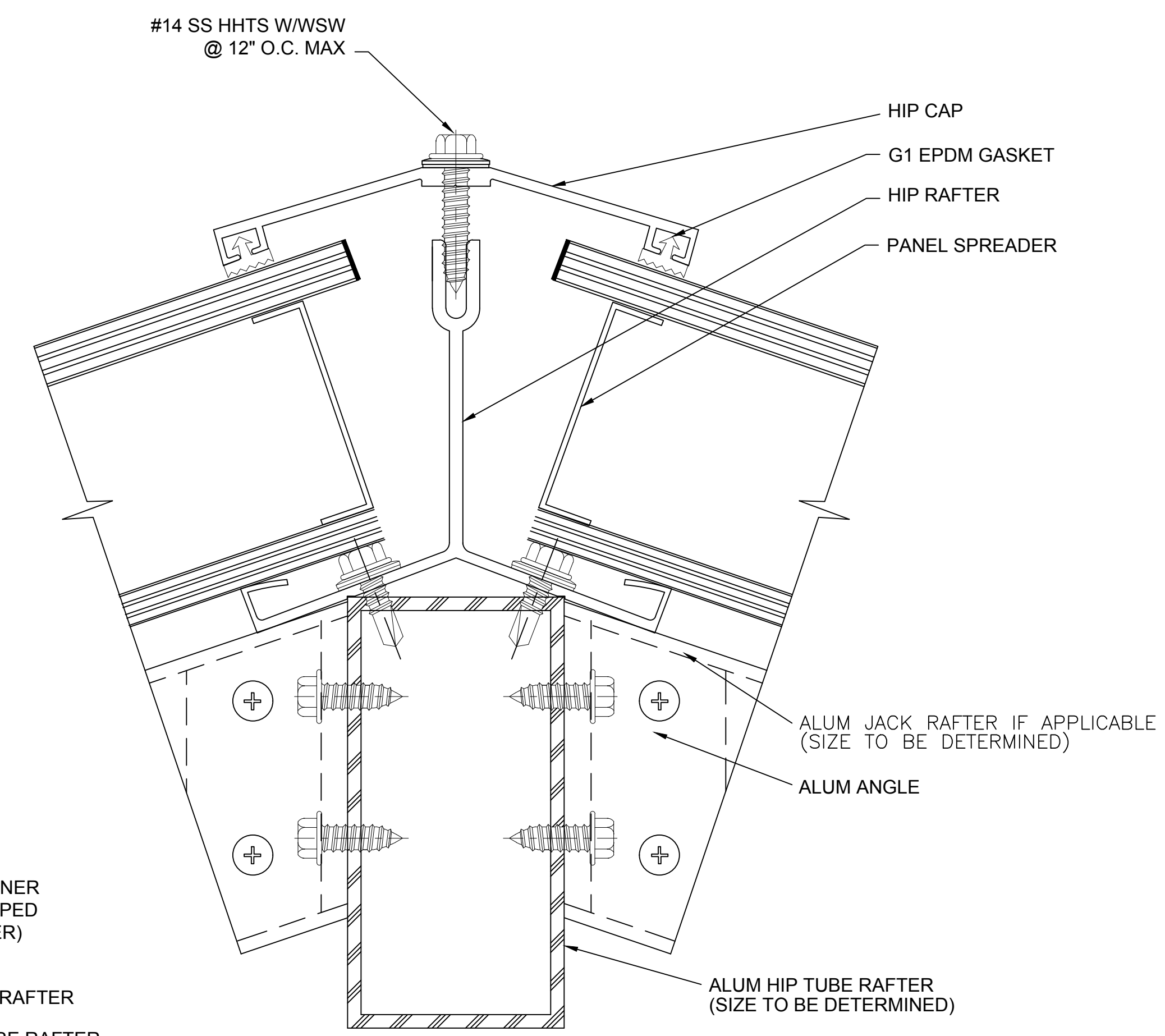
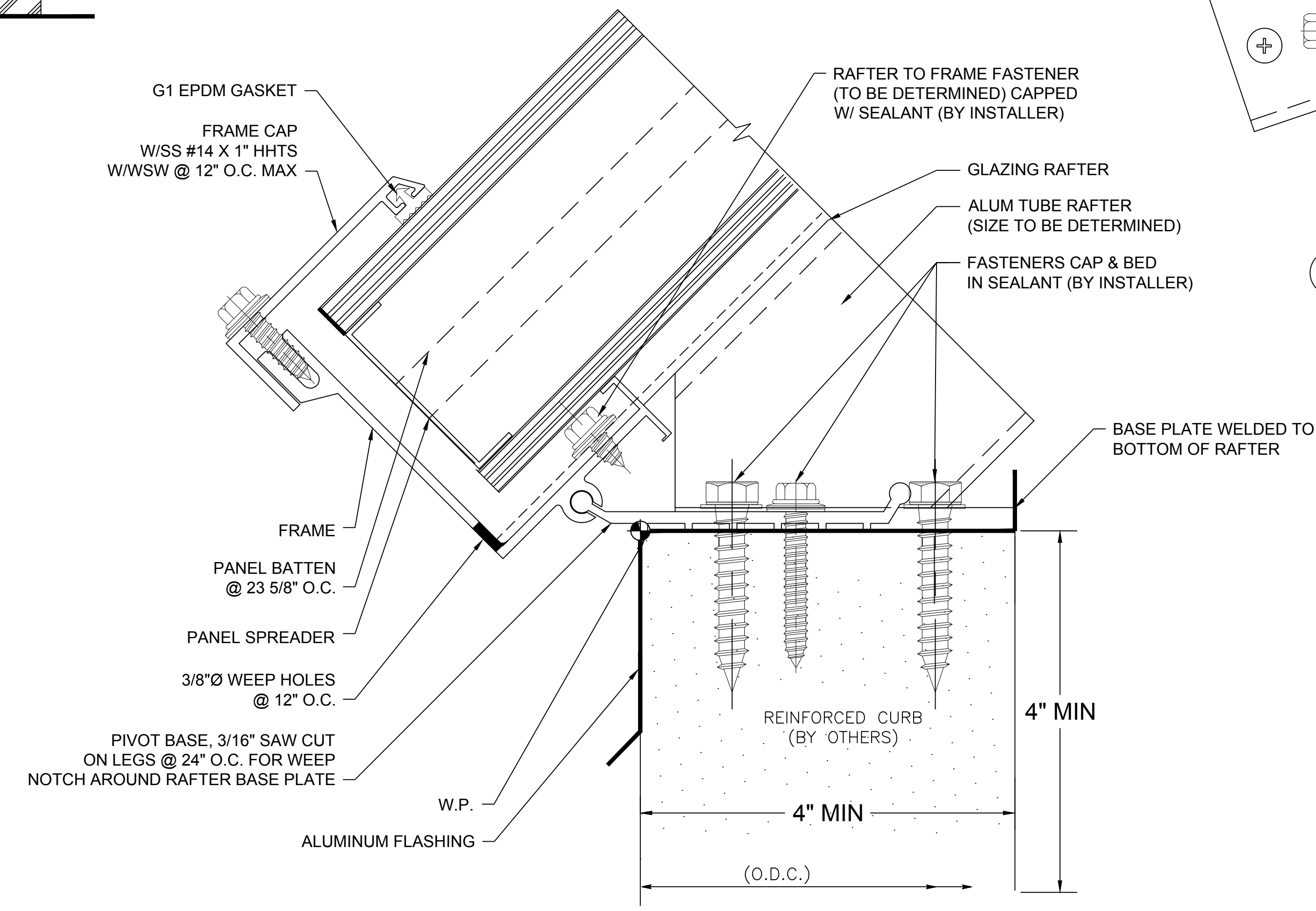
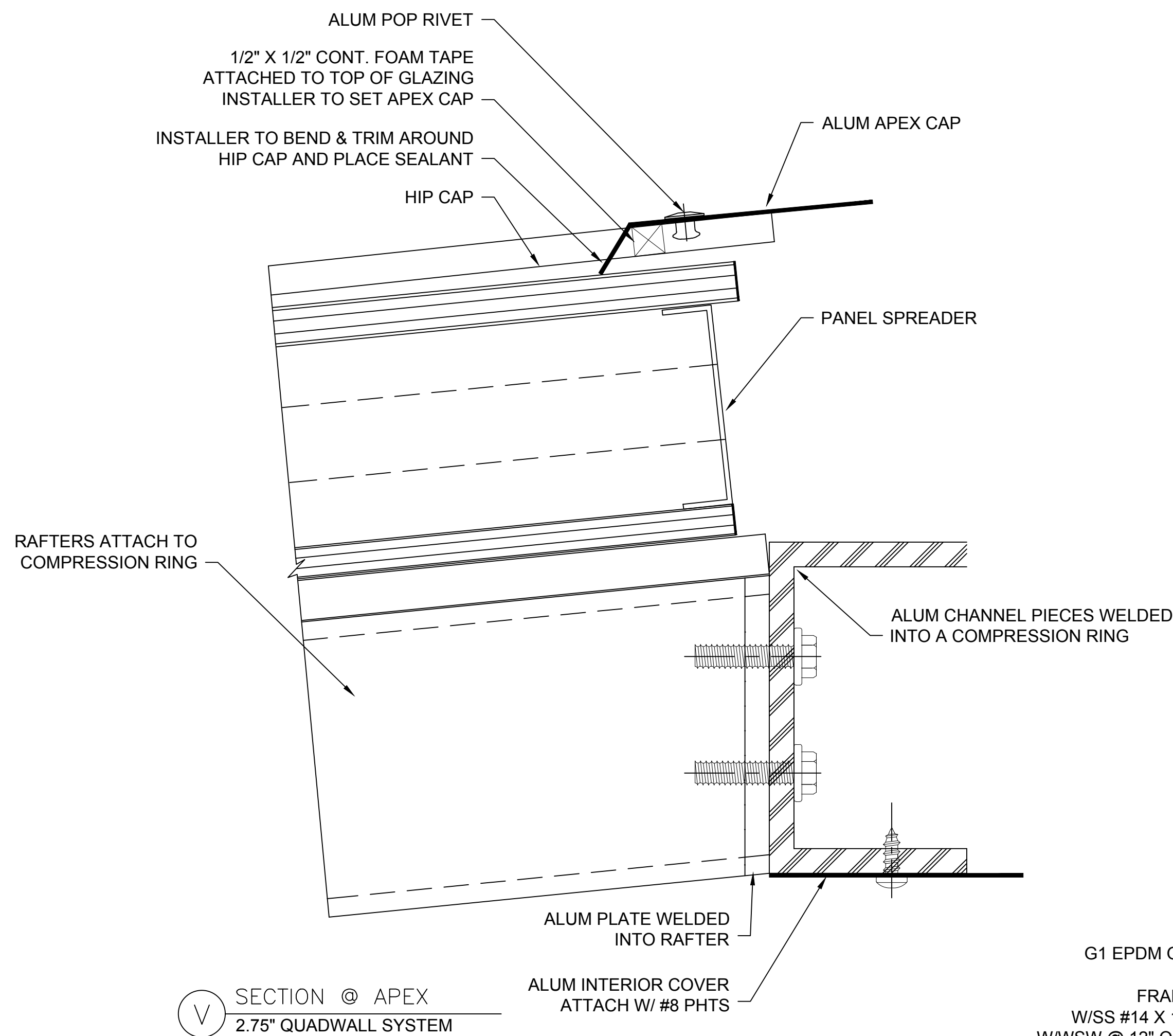
The standard details shown
are for reference only.

Please contact our Architectural
Support Department for job
specific details and for
information regarding the usage,
limitations, and or code
requirements pertaining to this
product, please contact us at:

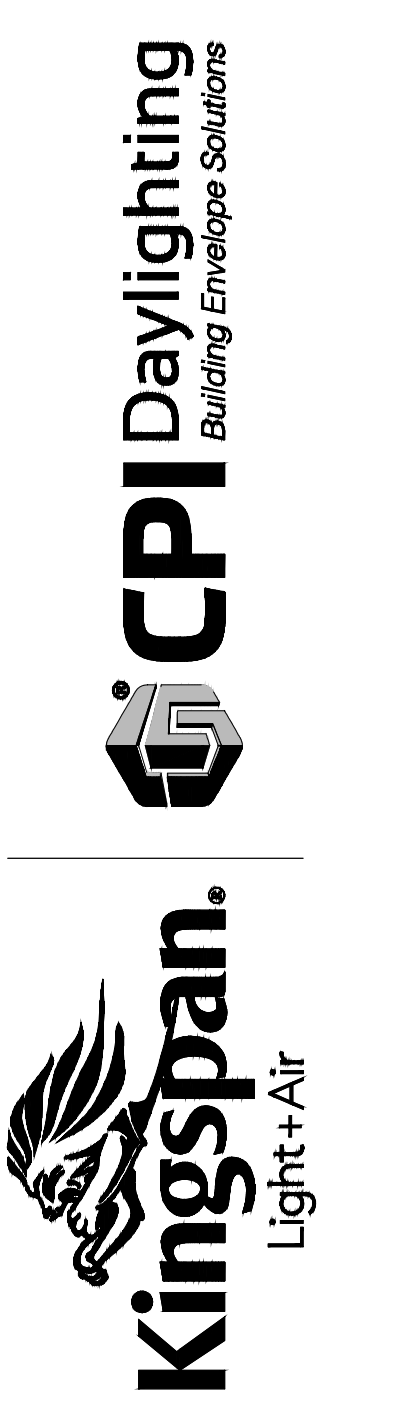
support@cpidaylighting.com

SHEET NO.

1 OF 3



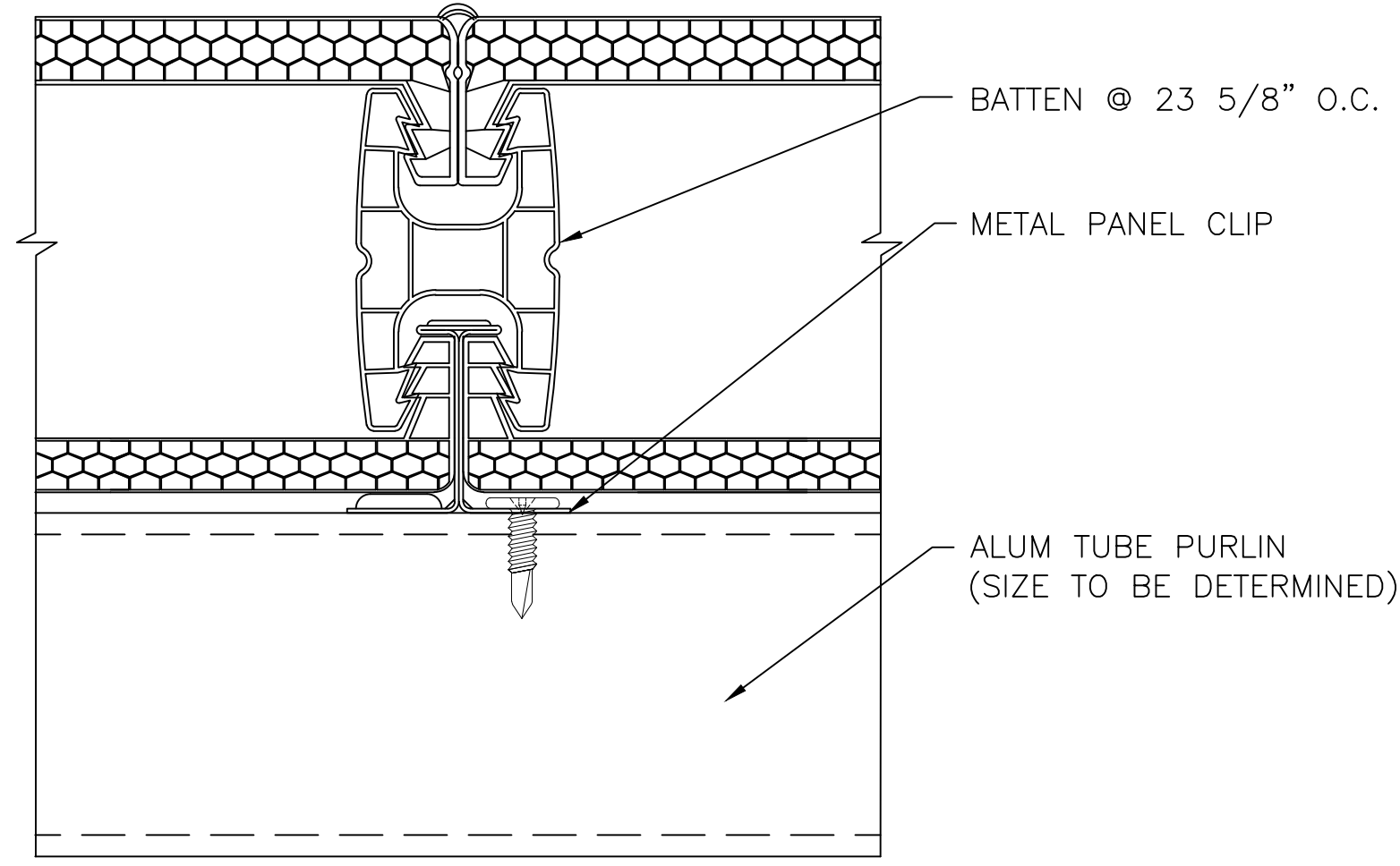
CUSTOM SKYLIGHTS
QUADWALL - LARGE SPAN W/ ADDED STRUCTURE
POLYGON - SYSTEM (2.75" OR 4") DETERMINED BY DESIGN LOADS



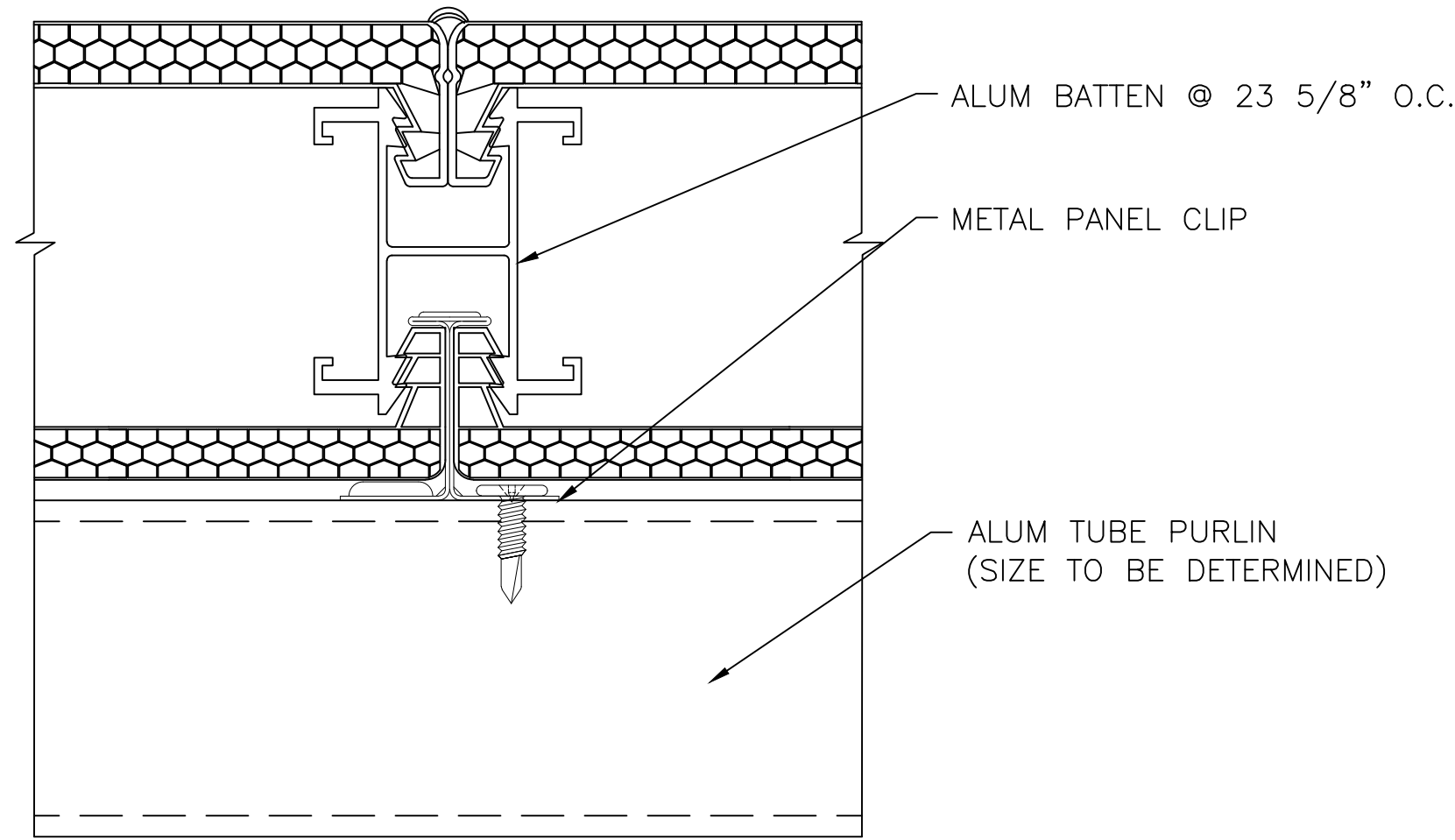
28662 N. Ballard Drive
Lake Forest, IL 60045 USA
 T: +1 847.816.1060
 F: +1 847.816.0475

Note
 The standard details shown are for reference only.
 Please contact our Architectural Support Department for job specific details and for information regarding the usage, limitations, and or code requirements pertaining to this product, please contact us at:
 support@cpidaylighting.com

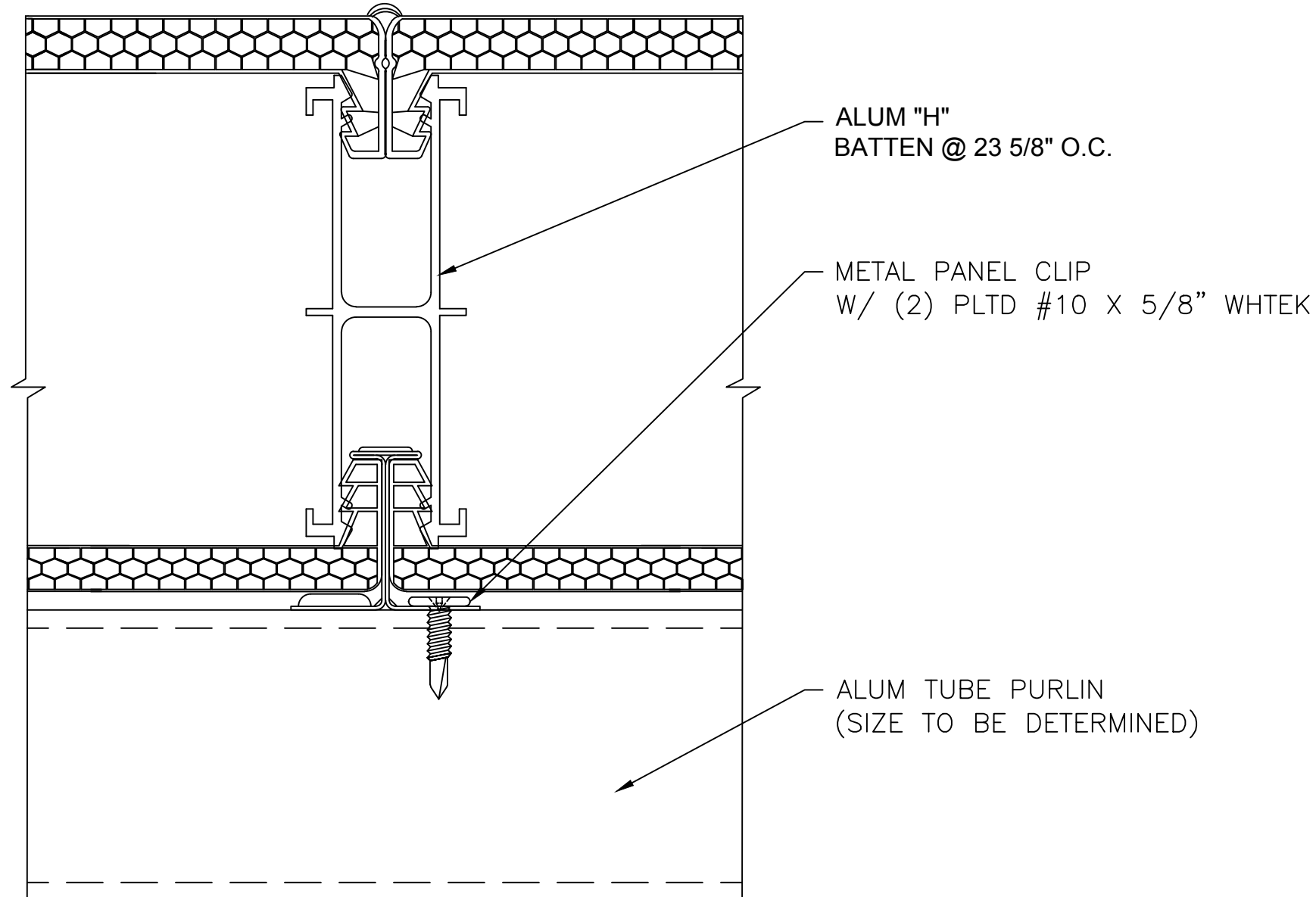
Details are subject to change and should be verified with our Architectural Support Department prior to implementation, please contact us at: support@cpidaylighting.com



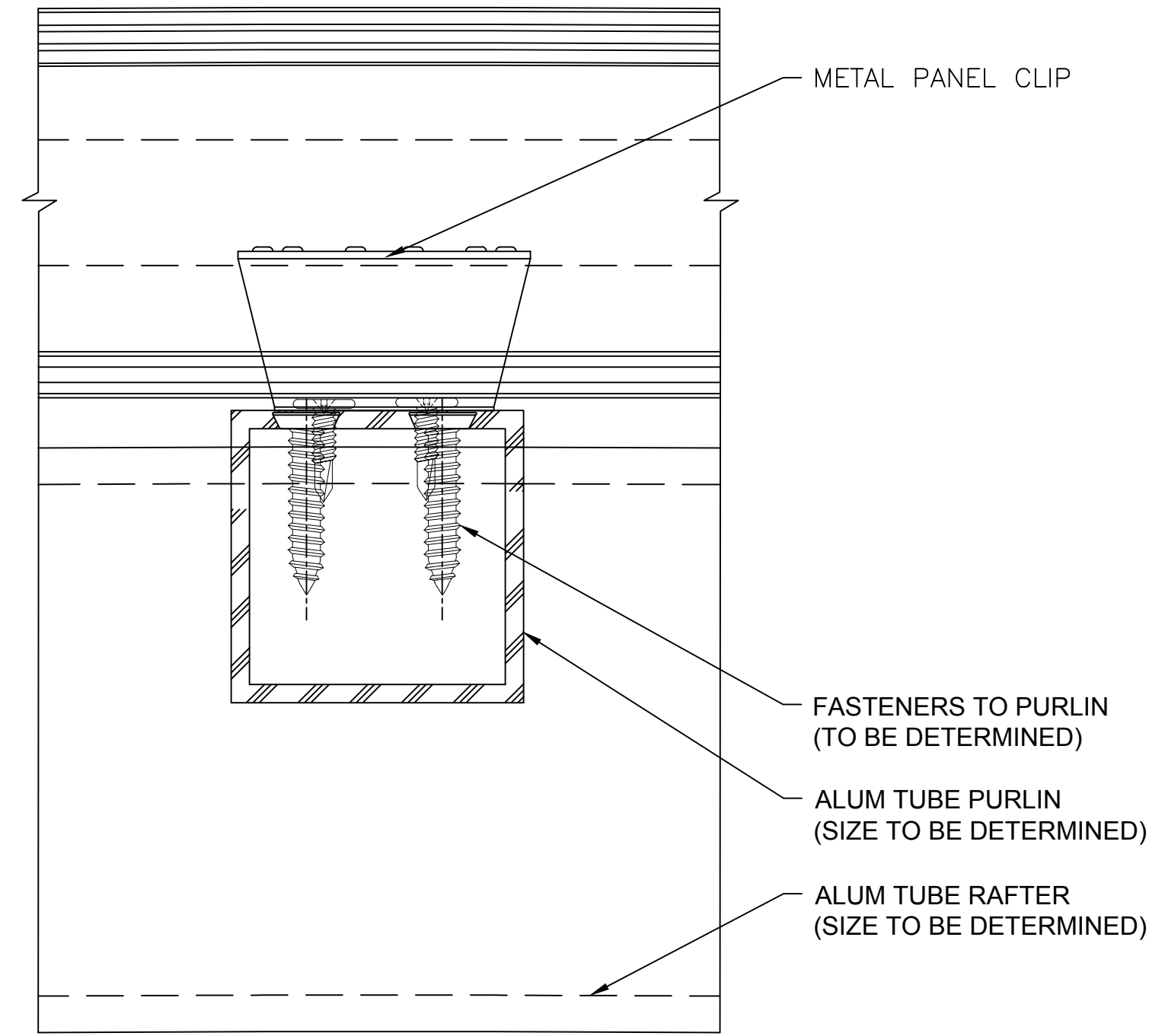
L SECTION @ BATTEN
2.75" QUADWALL SYSTEM



L2 SECTION @ BATTEN
2.75" QUADWALL SYSTEM

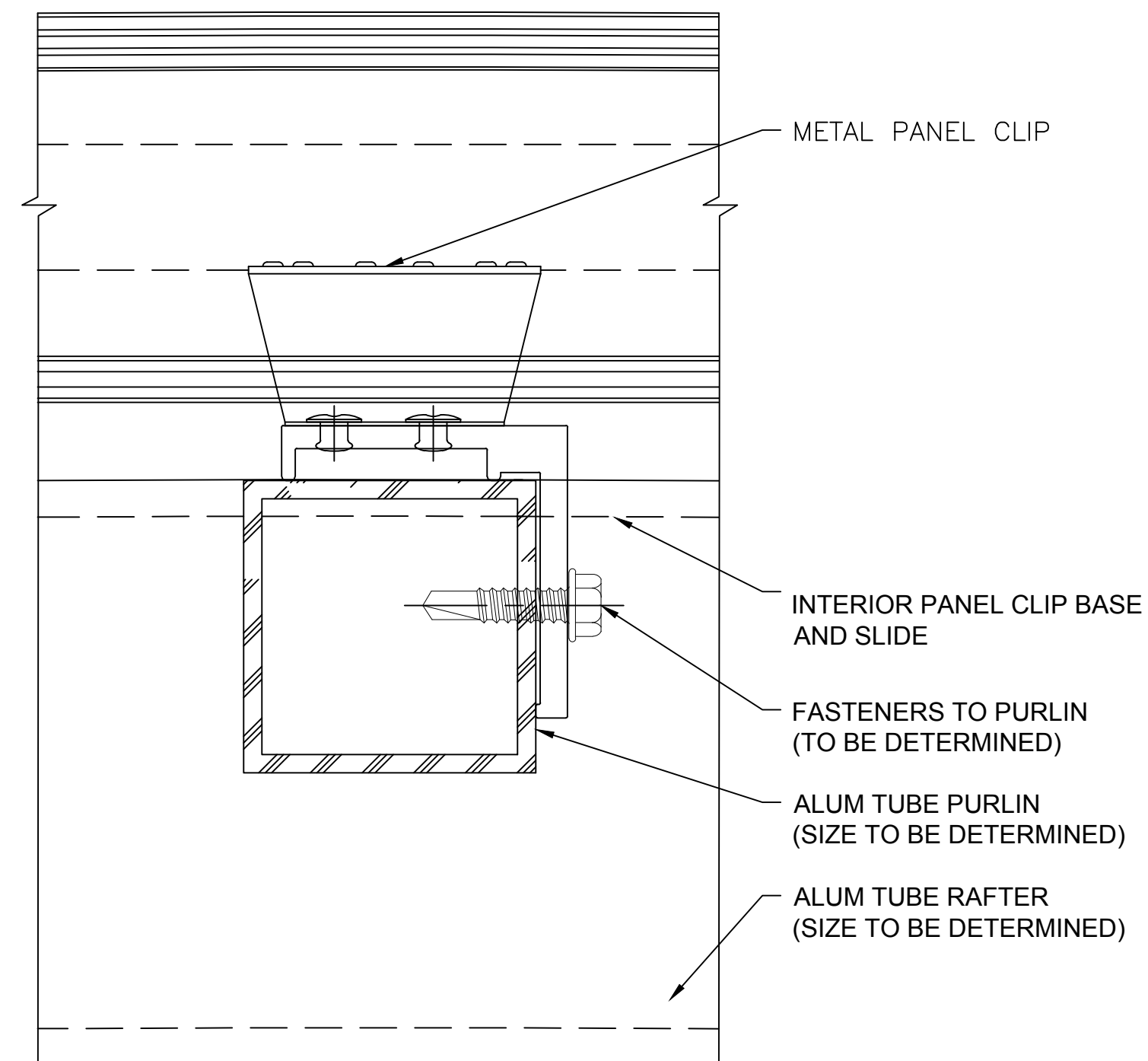


L3 SECTION @ BATTEN
4" QUADWALL SYSTEM
NOTE: THESE DETAILS OCCUR WHEN GLAZING IS SHIPPED KNOCKED DOWN.



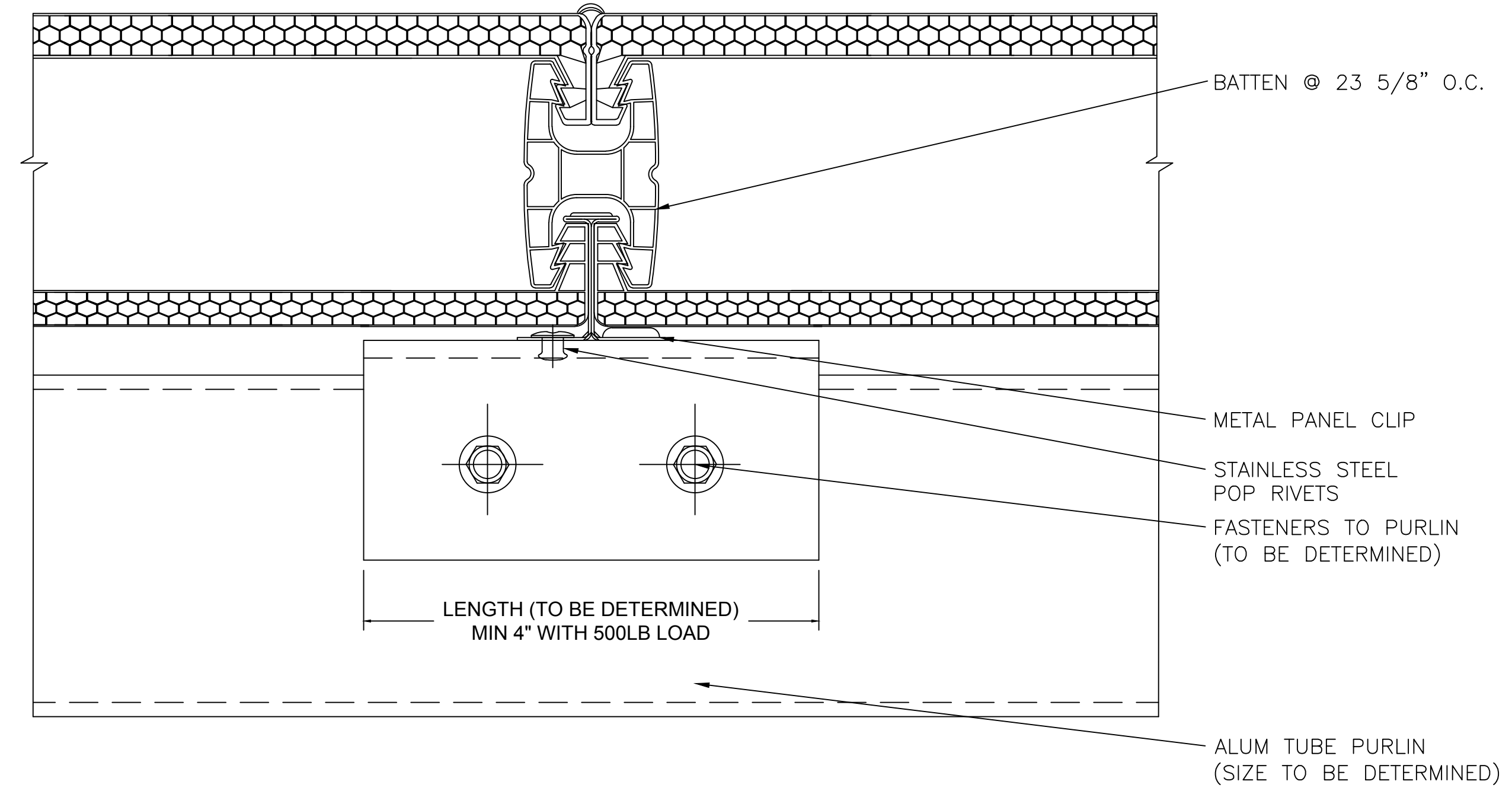
O SECTION @ PURLINS
2.75" QUADWALL SYSTEM
(4" QUADWALL SYSTEM SIMILAR)

NOTE: THIS DETAIL OCCURS WHEN GLAZING IS SHIPPED KNOCKED DOWN.

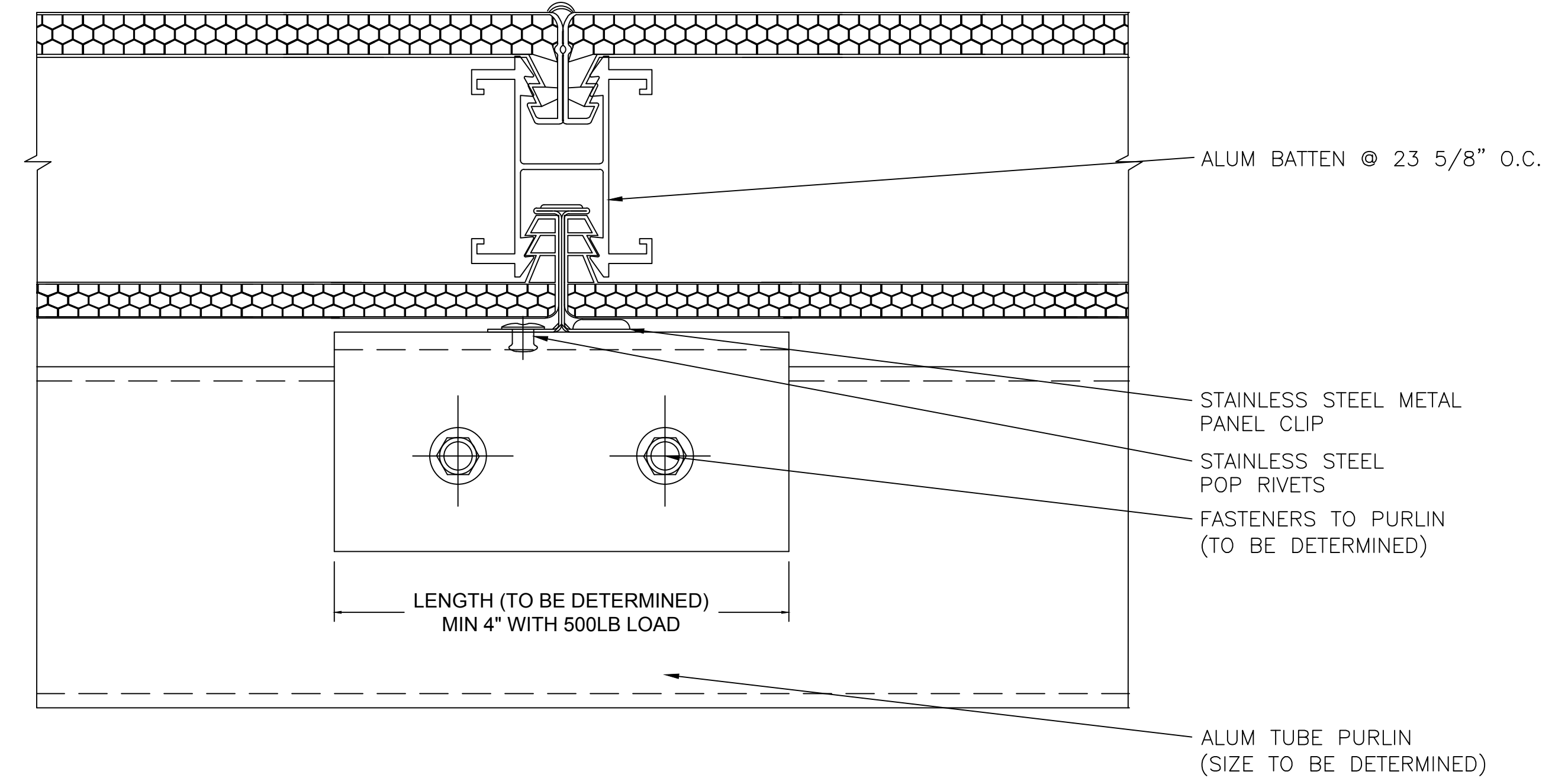


O2 SECTION @ PURLINS
2.75" QUADWALL SYSTEM
(4" QUADWALL SYSTEM SIMILAR)

NOTE: THIS DETAIL OCCURS WHEN GLAZING IS SHIPPED IN PANELIZED SECTIONS.



K SECTION @ BATTEN
2.75" QUADWALL SYSTEM
(4" QUADWALL SYSTEM SIMILAR)



K2 SECTION @ BATTEN
2.75" QUADWALL SYSTEM
(4" QUADWALL SYSTEM SIMILAR)

NOTE: THESE DETAILS OCCUR WHEN GLAZING IS SHIPPED IN PANELIZED SECTIONS.

CUSTOM SKYLIGHTS
QUADWALL - LARGE SPAN W/ ADDED STRUCTURE
POLYGON - SYSTEM (2.75" OR 4") DETERMINED BY DESIGN LOADS



28662 N. Ballard Drive
 Lake Forest, IL 60045 USA
 T: +1 847.816.1060
 F: +1 847.816.0475

Note
 The standard details shown are for reference only.
 Please contact our Architectural Support Department for job specific details and for information regarding the usage, limitations, and or code requirements pertaining to this product, please contact us at:
 support@cpidaylighting.com

Details are subject to change and should be verified with our Architectural Support Department prior to implementation, please contact us at: support@cpidaylighting.com