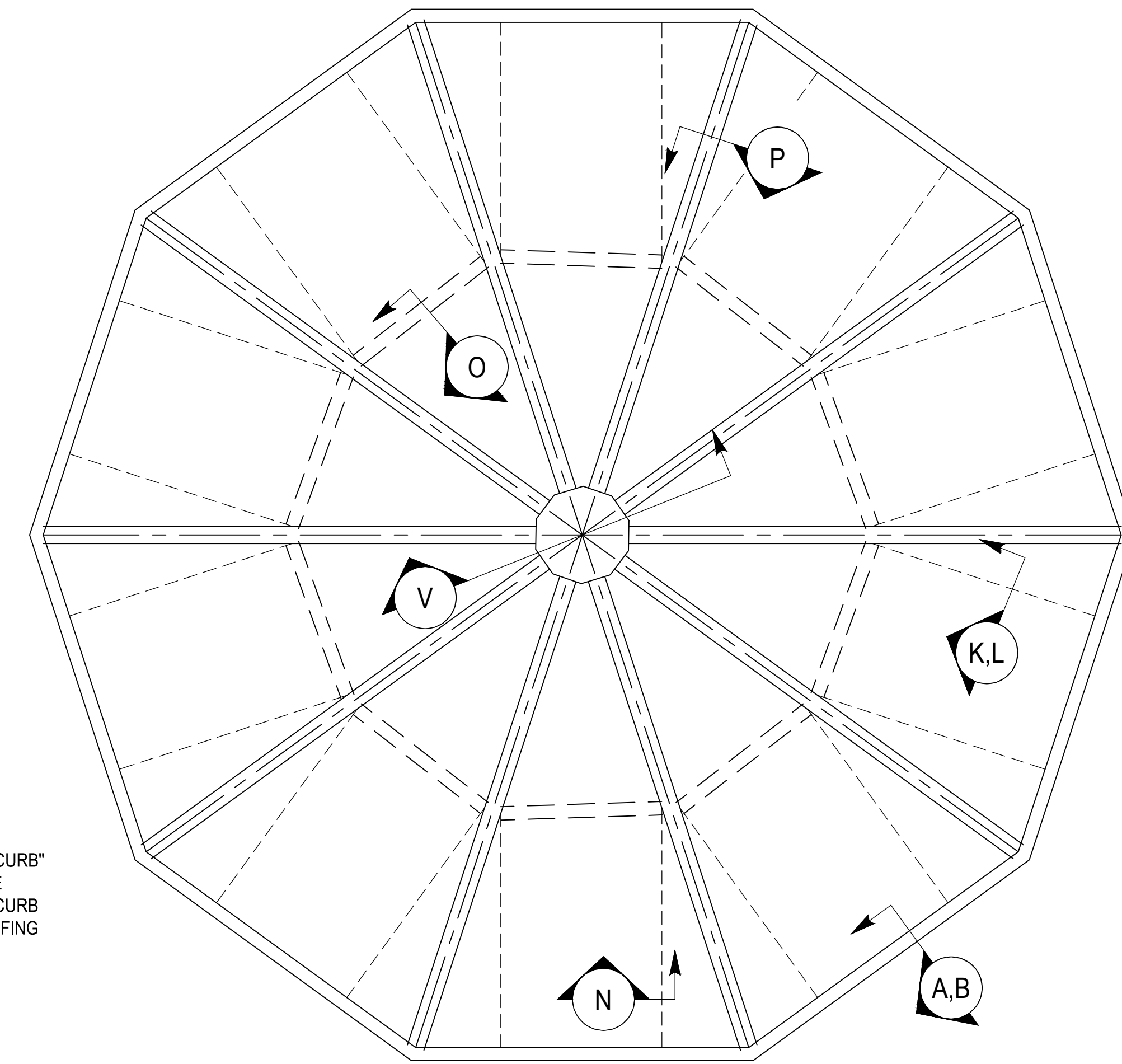
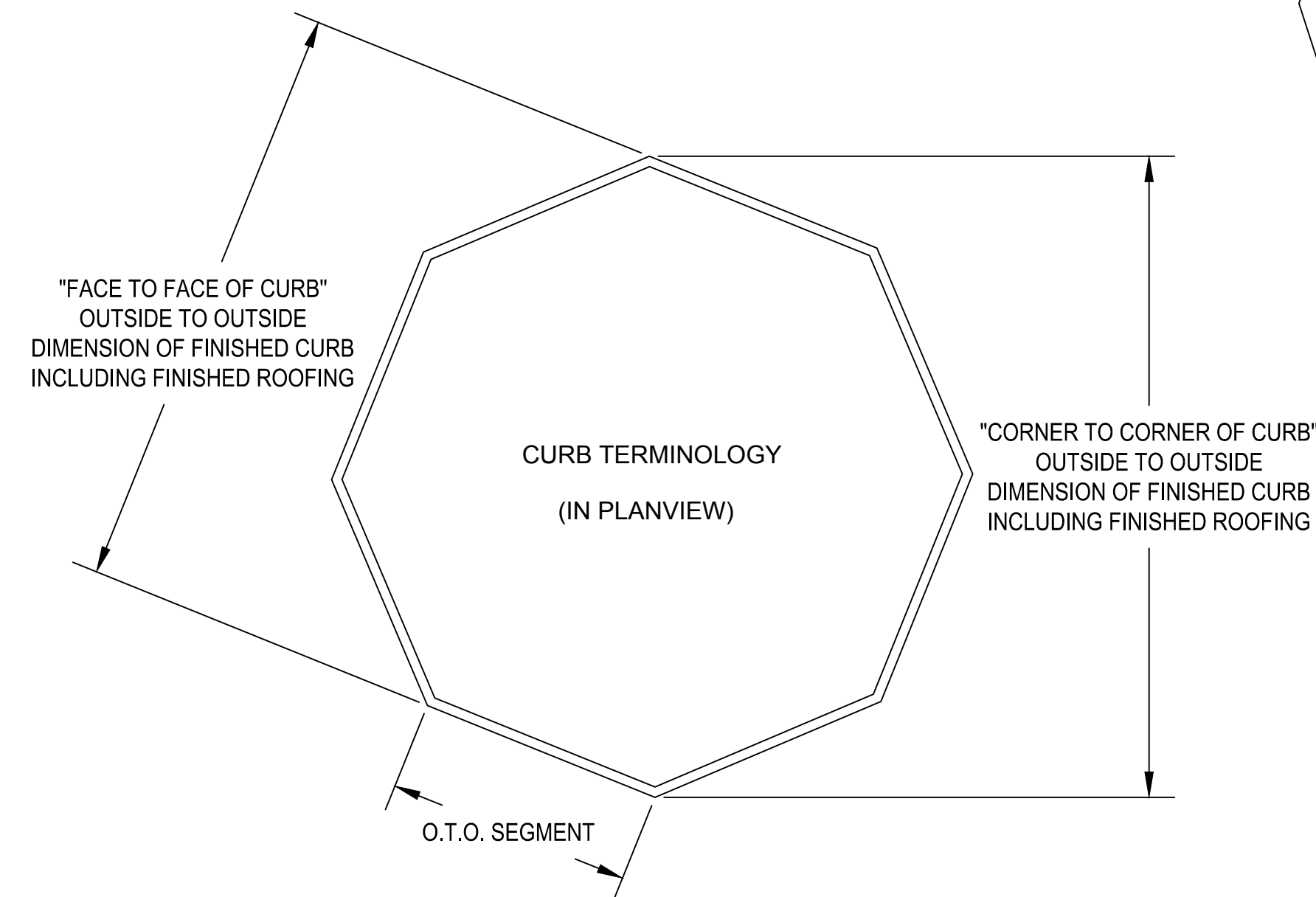
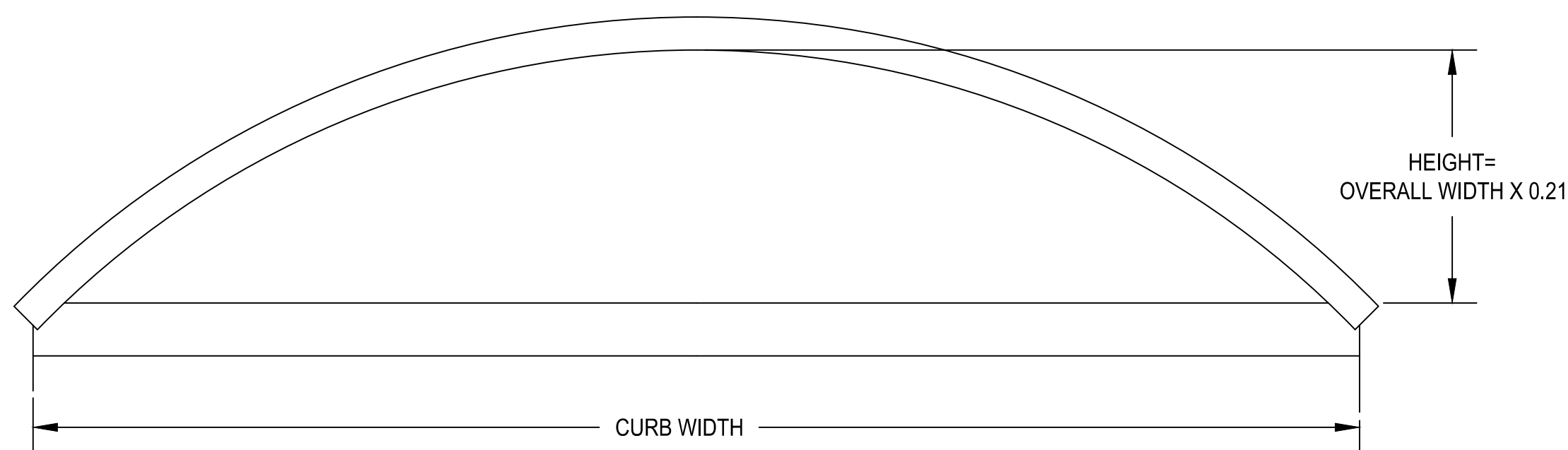


**PLANVIEW**  
EIGHT (8) SIDED UNIT

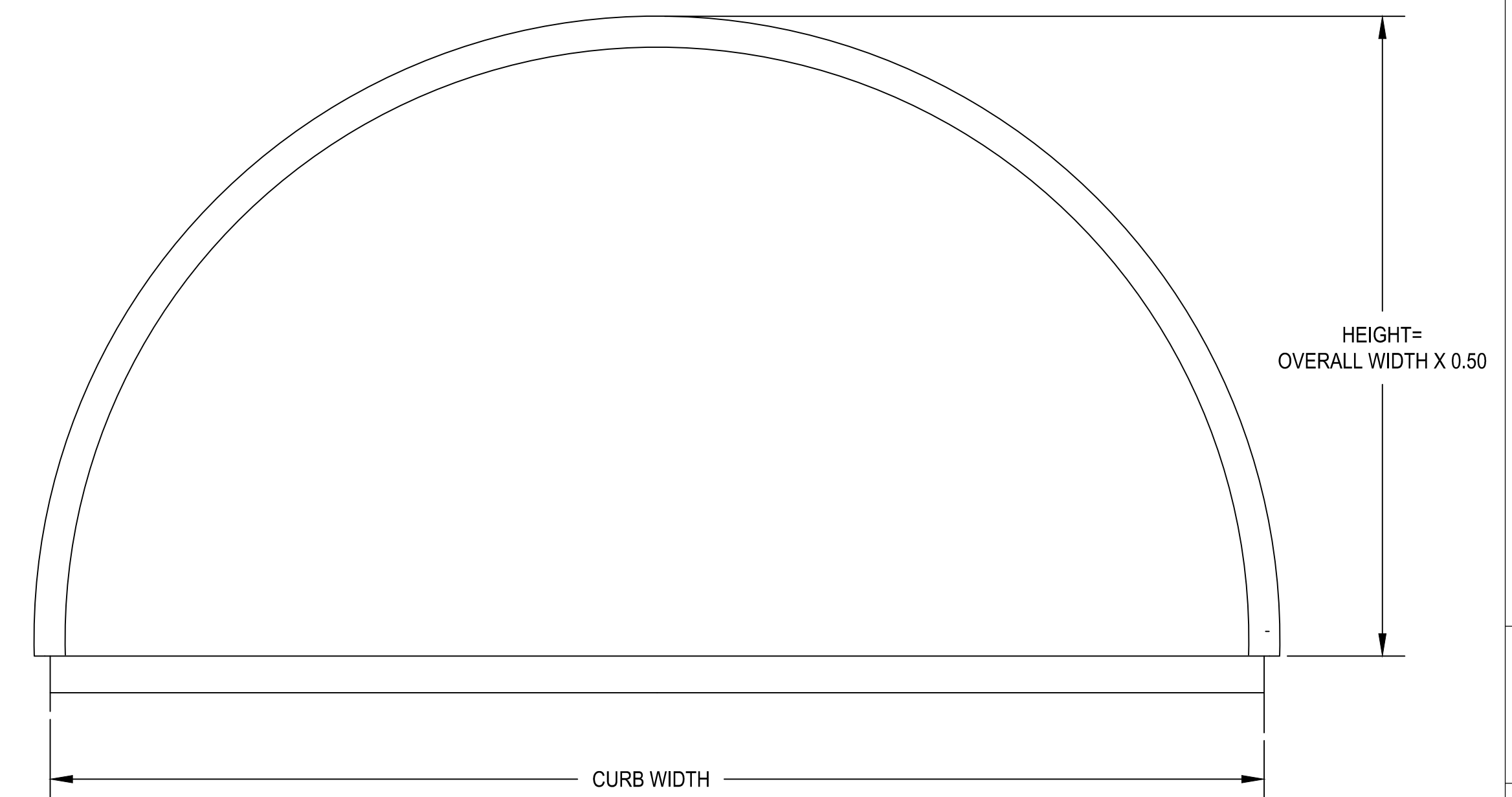
SYSTEM IS SHOWN AS 2.75" QUADWALL PANEL THICKNESS. A 4" QUADWALL PANEL THICKNESS SYSTEM IS USED BASED ON SPAN AND LOADING CONSIDERATIONS.



**PLANVIEW**  
TEN (10) SIDED UNIT



**LOW-RISE ELEVATION**



**HALF ROUND ELEVATION**

NOMINAL HEIGHT:  
FROM TOP OF CURB TO BOTTOM OF RAFTER AT APEX OF SKYLIGHT

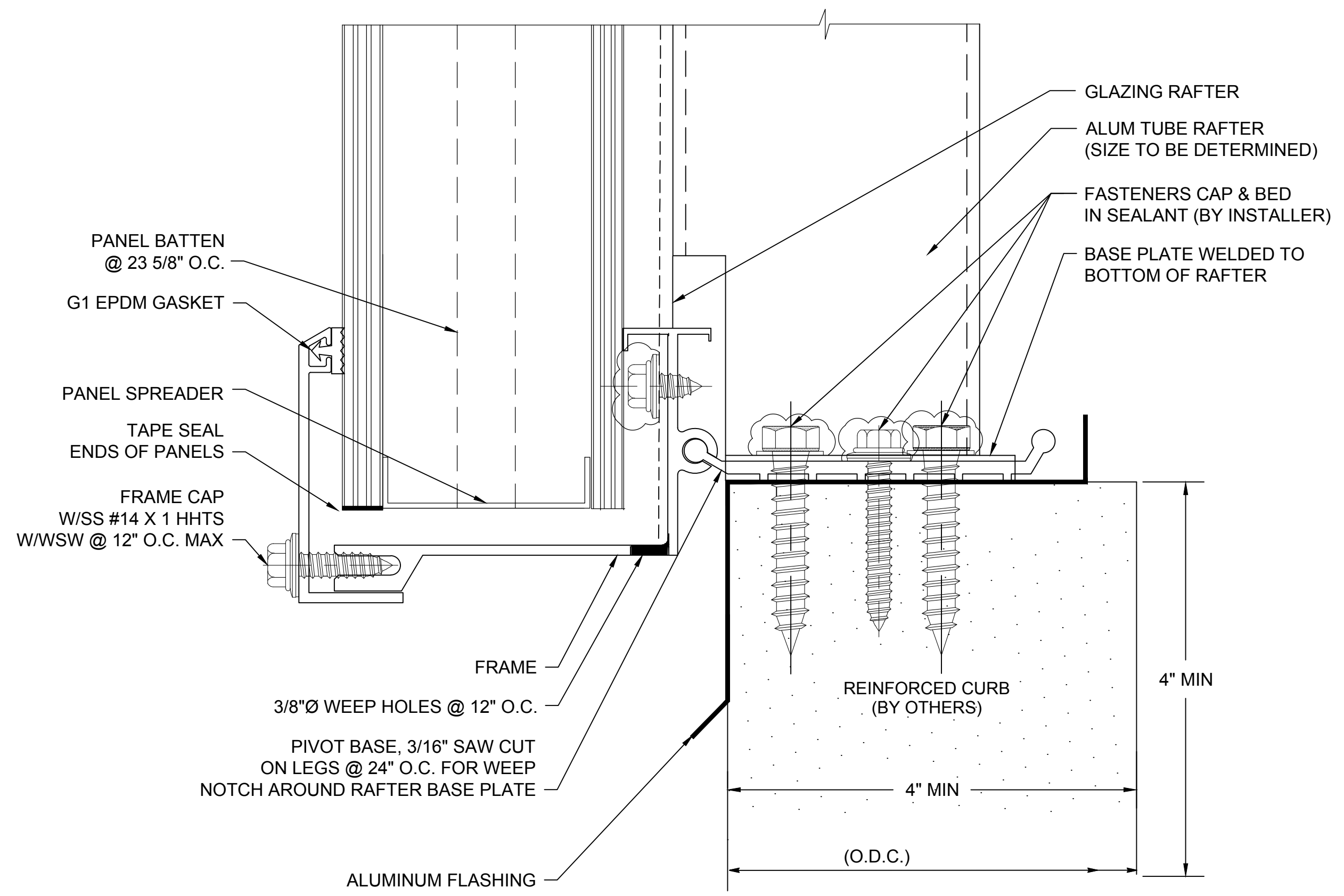
**CUSTOM SKYLIGHTS**  
QUADWALL - LARGE SPAN W/ ADDED STRUCTURE  
DOME - SYSTEM (2.75" OR 4") DETERMINED BY DESIGN LOADS



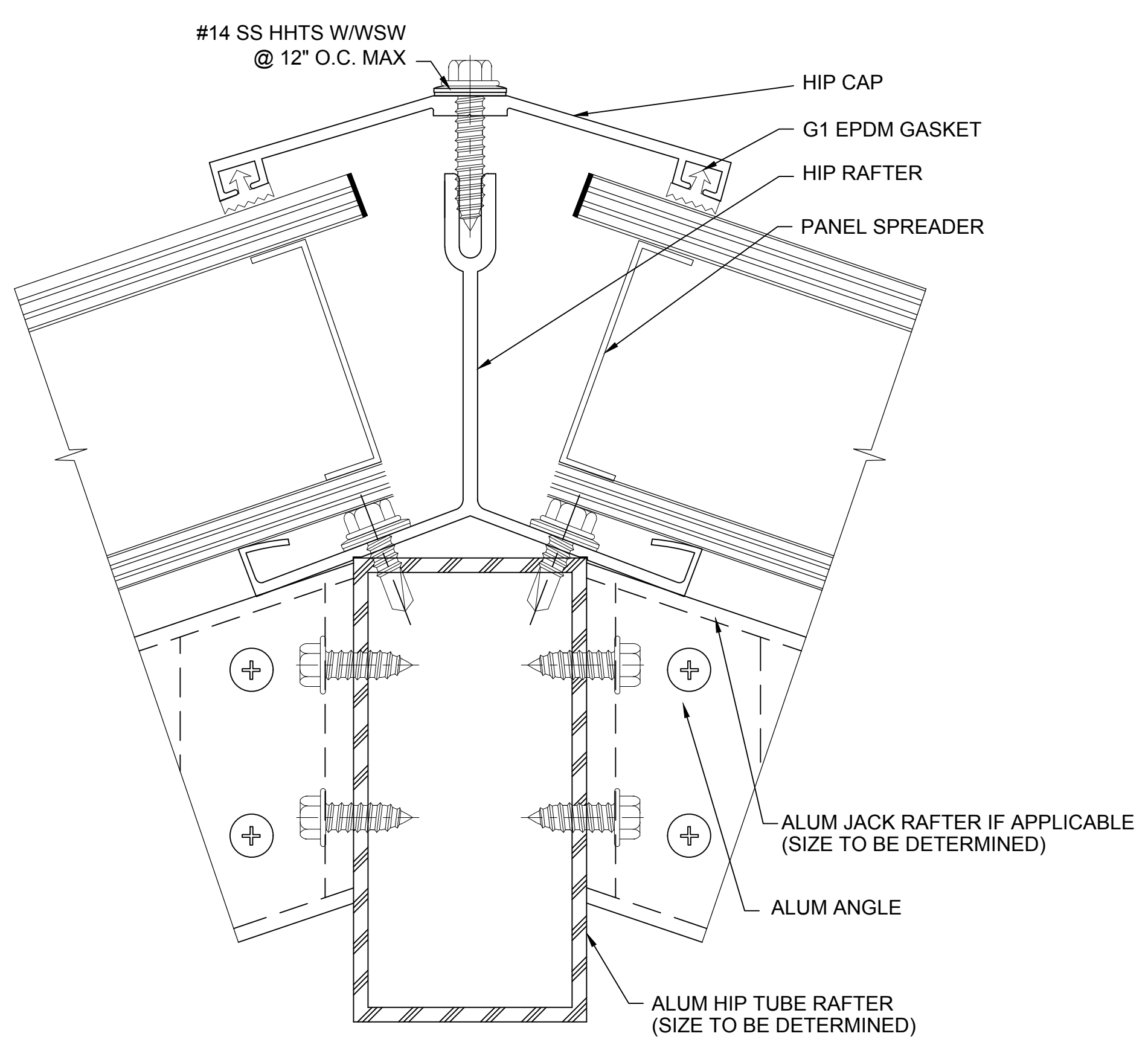
28662 N. Ballard Drive  
Lake Forest, IL 60045 USA  
T: +1 847.816.1060  
F: +1 847.816.0475

**Note**  
The standard details shown are for reference only.  
Please contact our Architectural Support Department for job specific details and for information regarding the usage, limitations, and or code requirements pertaining to this product, please contact us at:  
support@cpidaylighting.com

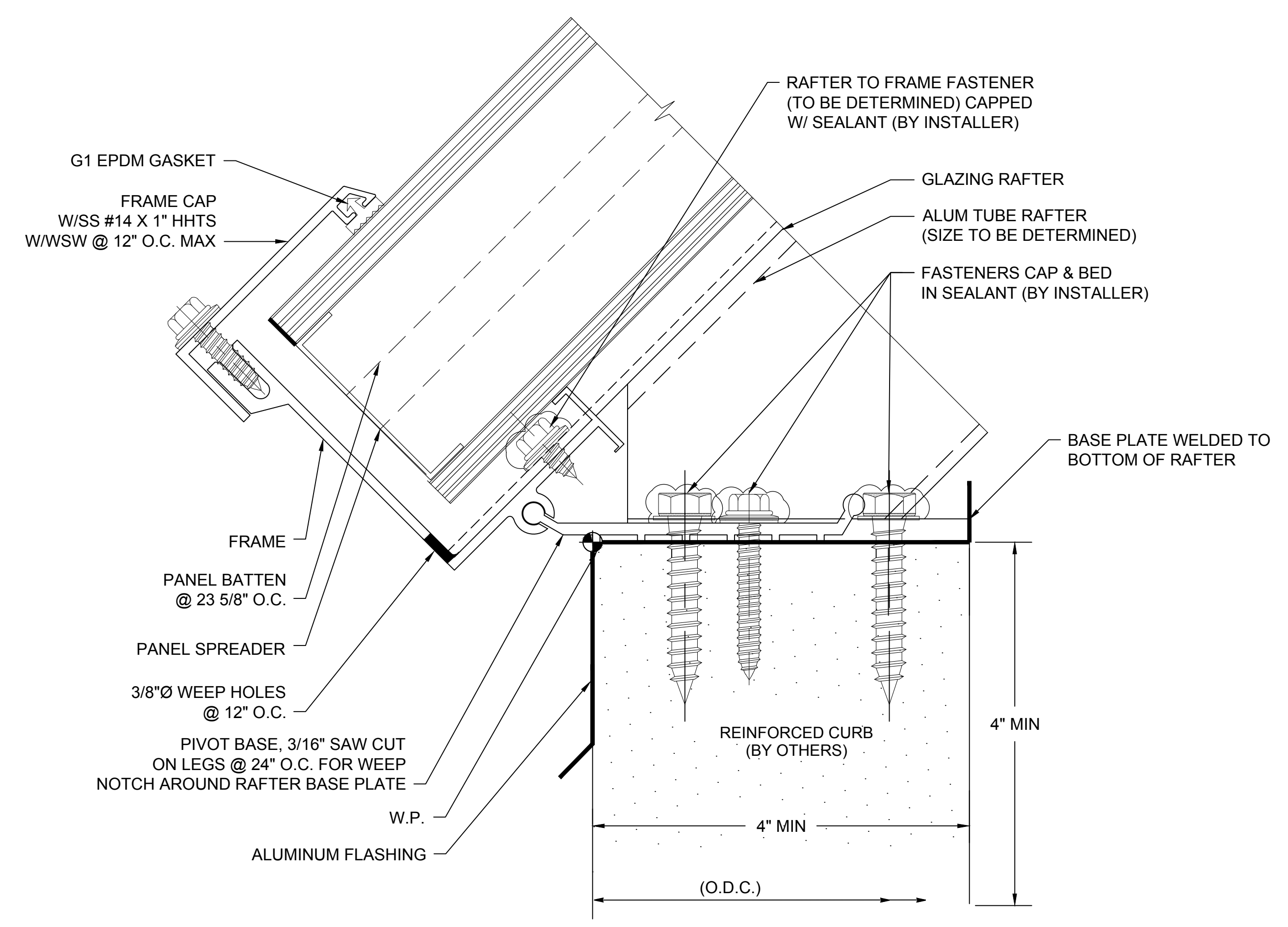
Details are subject to change and should be verified with our Architectural Support Department prior to implementation, please contact us at: support@cpidaylighting.com



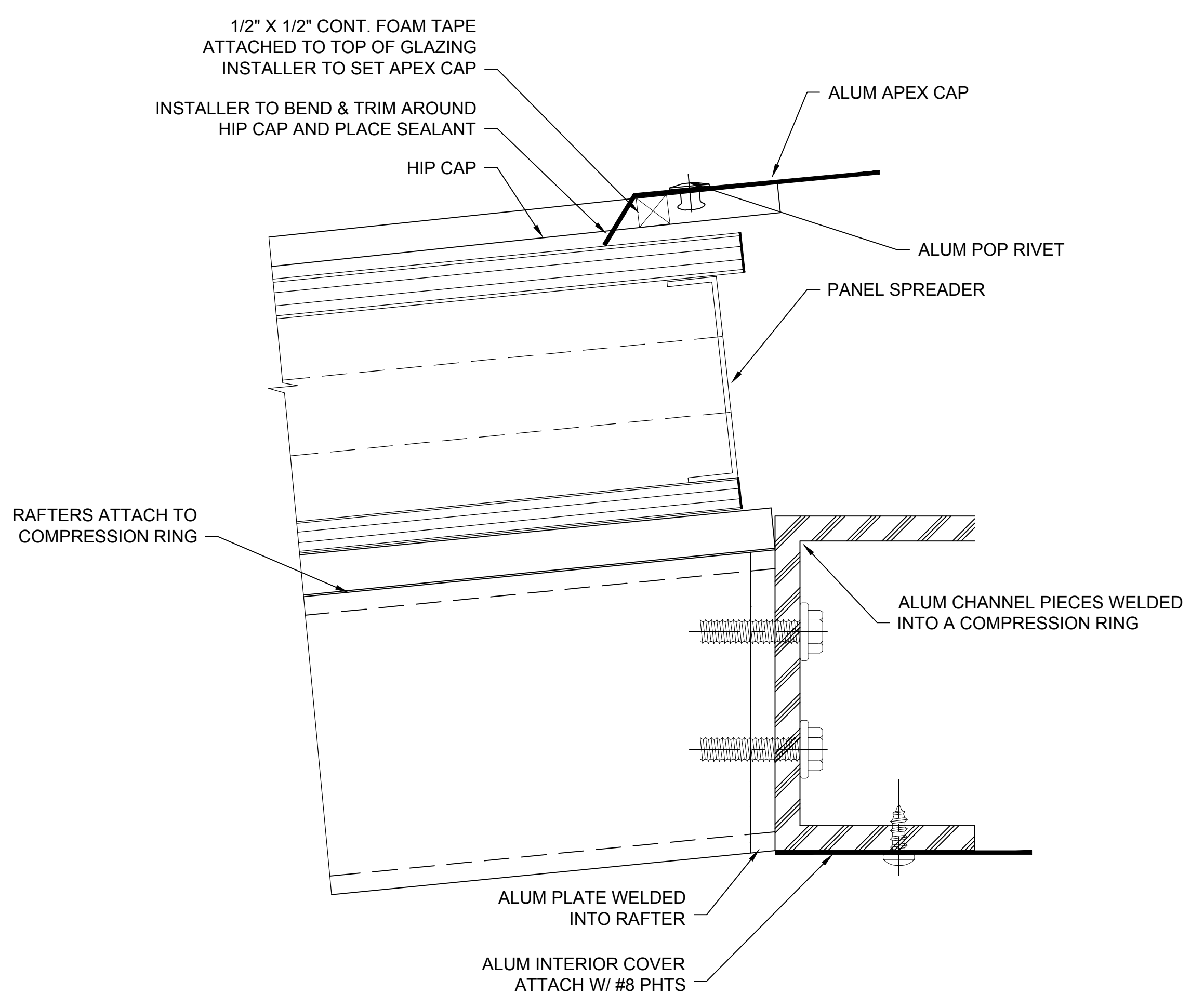
**B** SECTION @ SILL (HALF ROUND)  
2.75" QUADWALL SYSTEM  
(4" QUADWALL SYSTEM SIMILAR)



**P** SECTION @ HIP  
2.75" QUADWALL SYSTEM  
(4" QUADWALL SYSTEM SIMILAR)  
NOTE: AT JACK RAFTER LOCATIONS  
IF APPLICABLE



**A** SECTION @ SILL (FLAT CURB)  
2.75" QUADWALL SYSTEM  
(4" QUADWALL SYSTEM SIMILAR)



**V** SECTION @ APEX  
2.75" QUADWALL SYSTEM

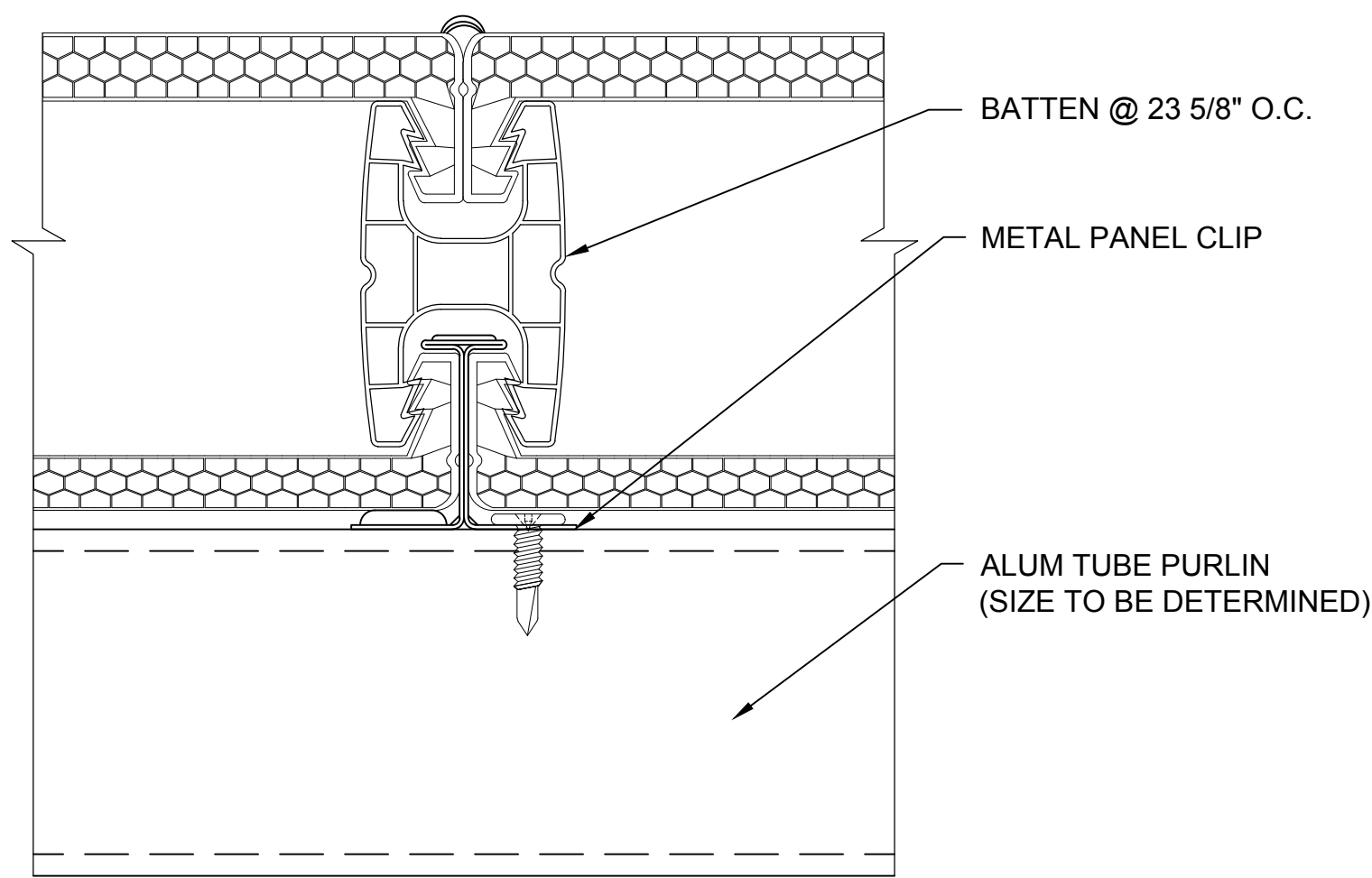
**CUSTOM SKYLIGHTS**  
QUADWALL - LARGE SPAN W/ ADDED STRUCTURE  
DOME - SYSTEM (2.75" OR 4") DETERMINED BY DESIGN LOADS



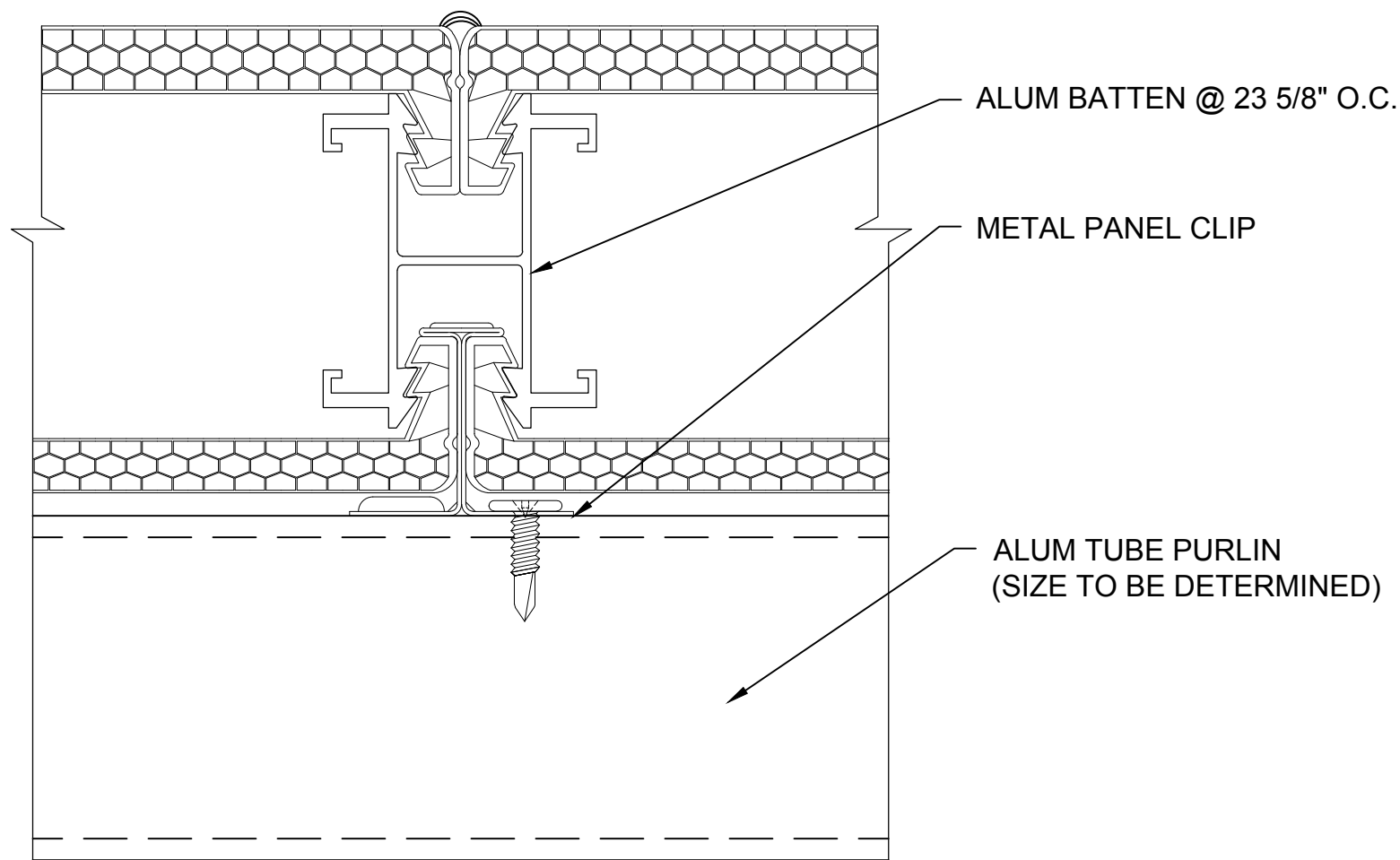
28662 N. Ballard Drive  
Lake Forest, IL 60045 USA  
T: +1 847.816.1060  
F: +1 847.816.0475

**Note**  
The standard details shown are for reference only.  
Please contact our Architectural Support Department for job specific details and for information regarding the usage, limitations, and or code requirements pertaining to this product, please contact us at:  
support@cpidaylighting.com

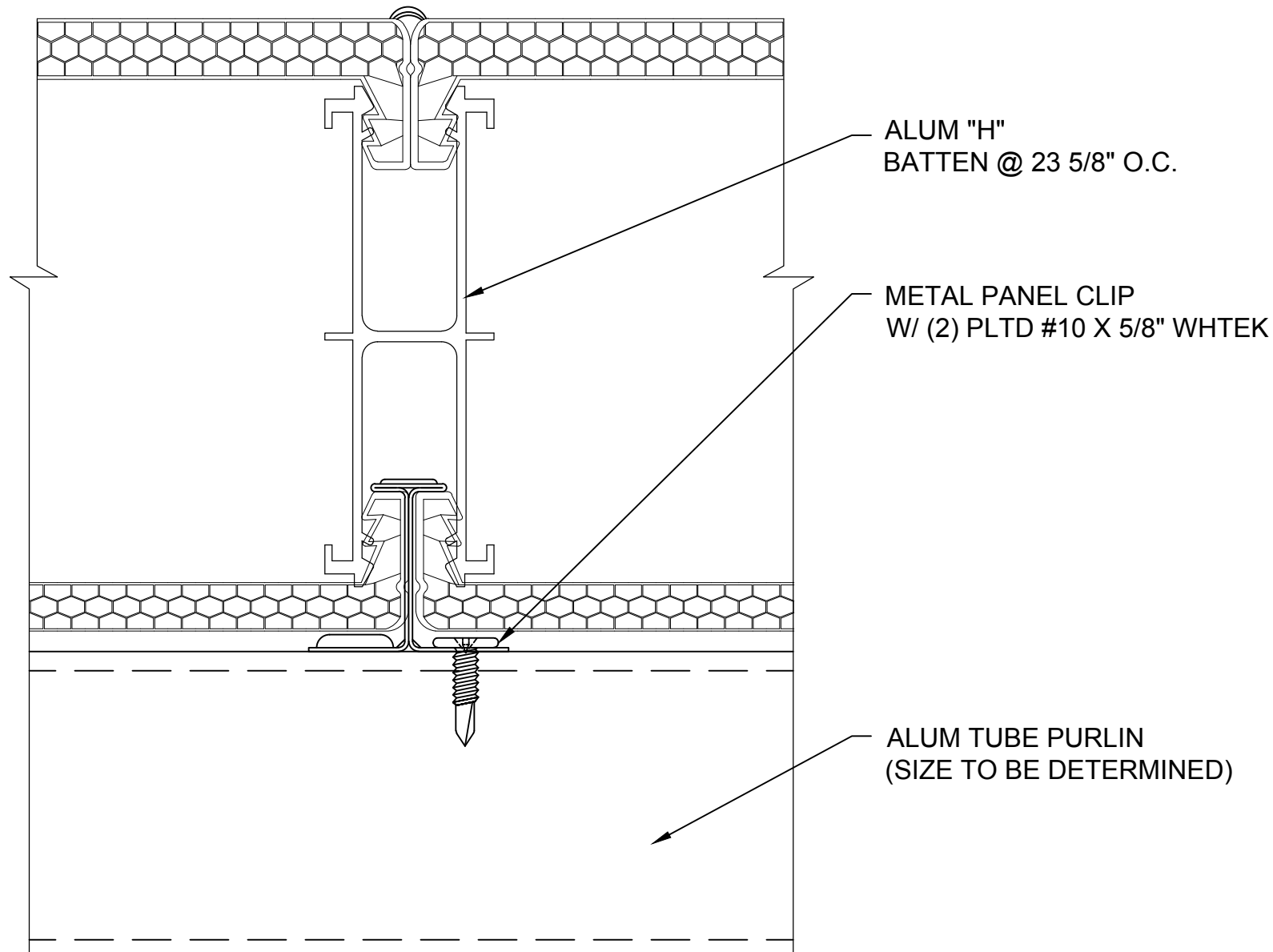
Details are subject to change and should be verified with our Architectural Support Department prior to implementation, please contact us at: support@cpidaylighting.com



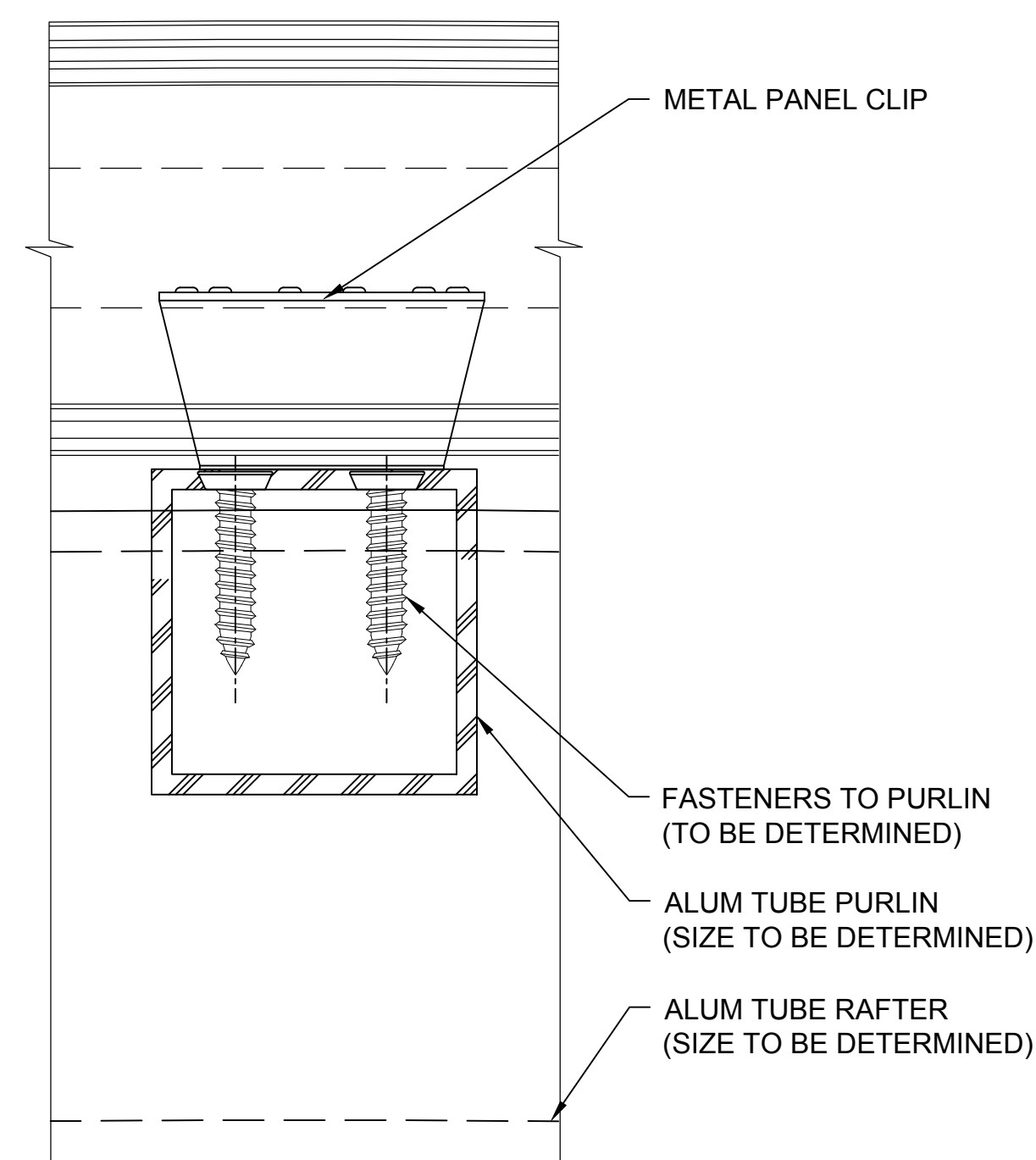
**L** SECTION @ BATTEN  
2.75" QUADWALL SYSTEM



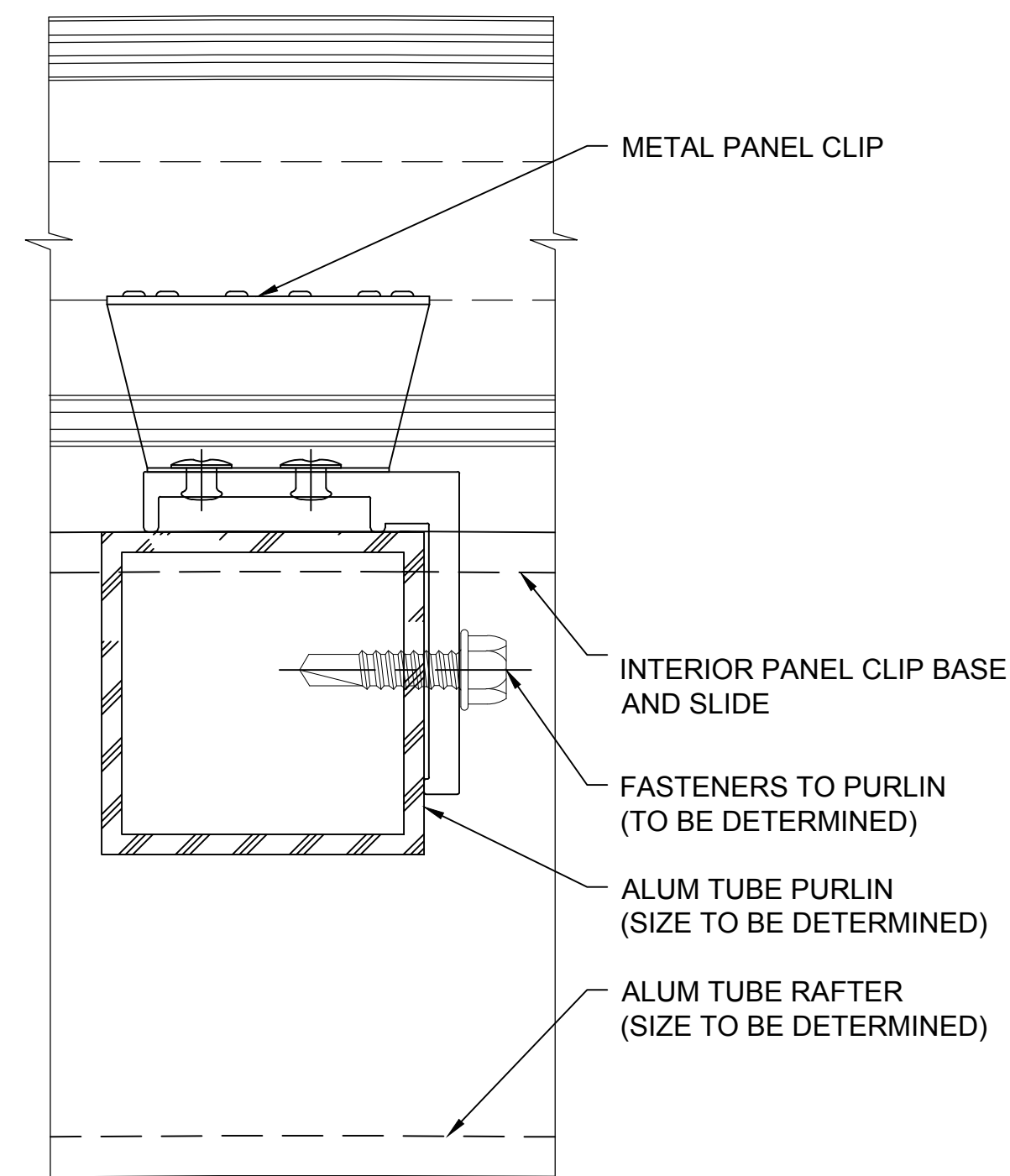
**L<sub>2</sub>** SECTION @ BATTEN  
2.75" QUADWALL SYSTEM



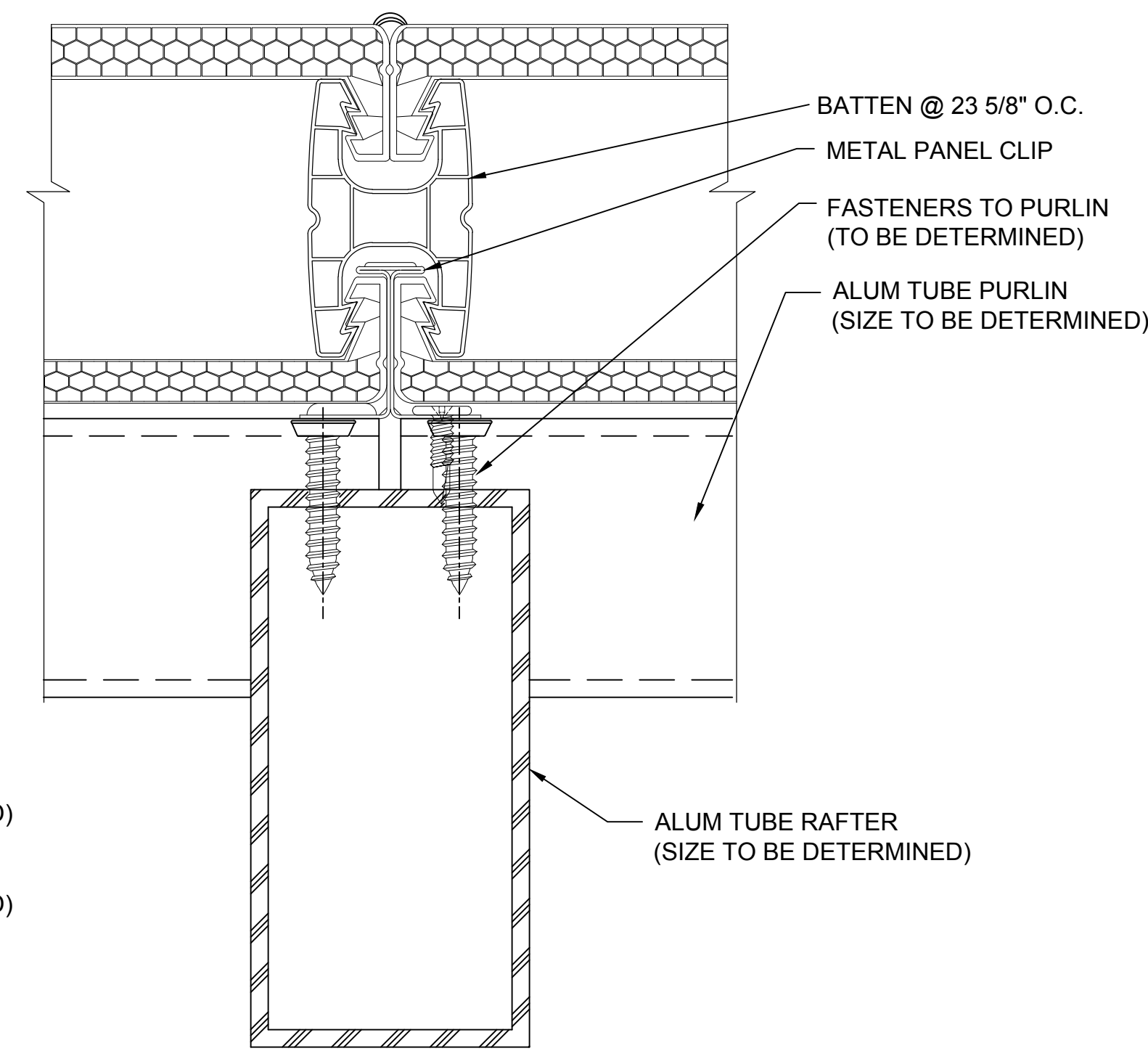
**L<sub>3</sub>** SECTION @ BATTEN  
4" QUADWALL SYSTEM  
NOTE: DETAILS L-L3 OCCUR WHEN GLAZING IS SHIPPED KNOCKED DOWN.



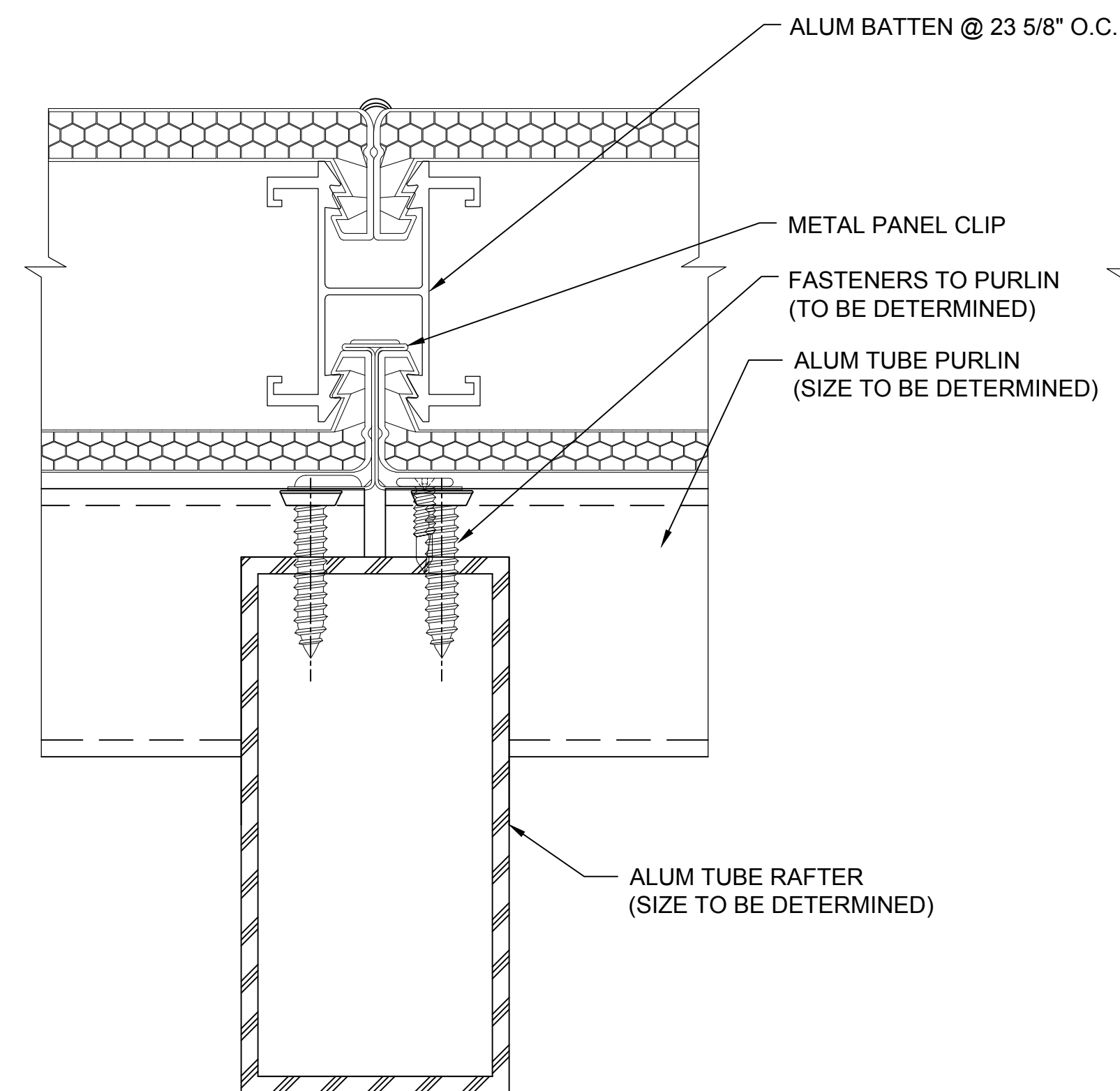
**O** SECTION @ PURLINS  
2.75" QUADWALL SYSTEM  
(4" QUADWALL SYSTEM SIMILAR)  
NOTE: THIS DETAIL OCCURS WHEN GLAZING IS SHIPPED KNOCKED DOWN.



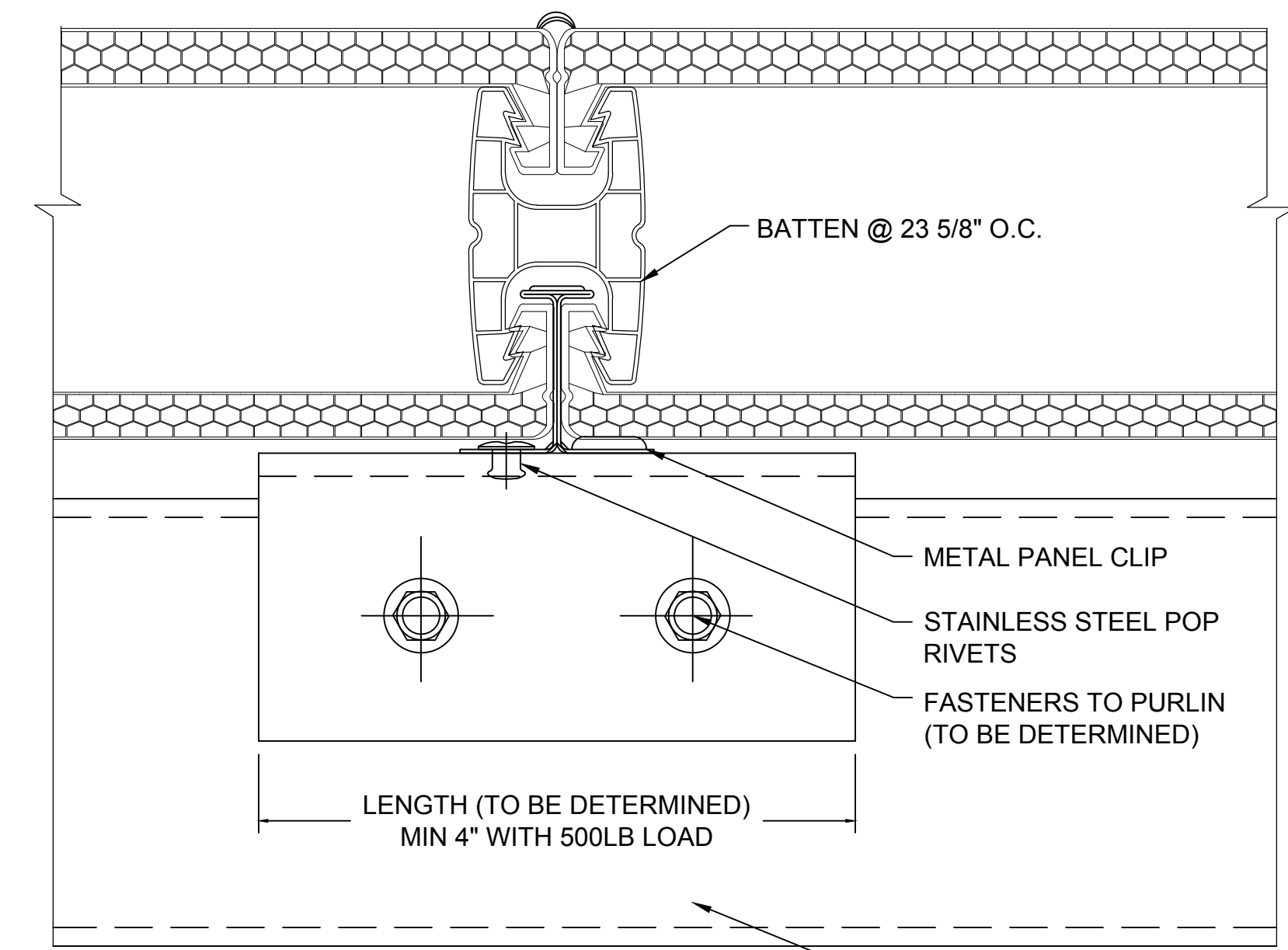
**O<sub>2</sub>** SECTION @ PURLINS  
2.75" QUADWALL SYSTEM  
(4" QUADWALL SYSTEM SIMILAR)  
NOTE: THIS DETAIL OCCURS WHEN GLAZING IS SHIPPED IN PANELIZED SECTIONS.



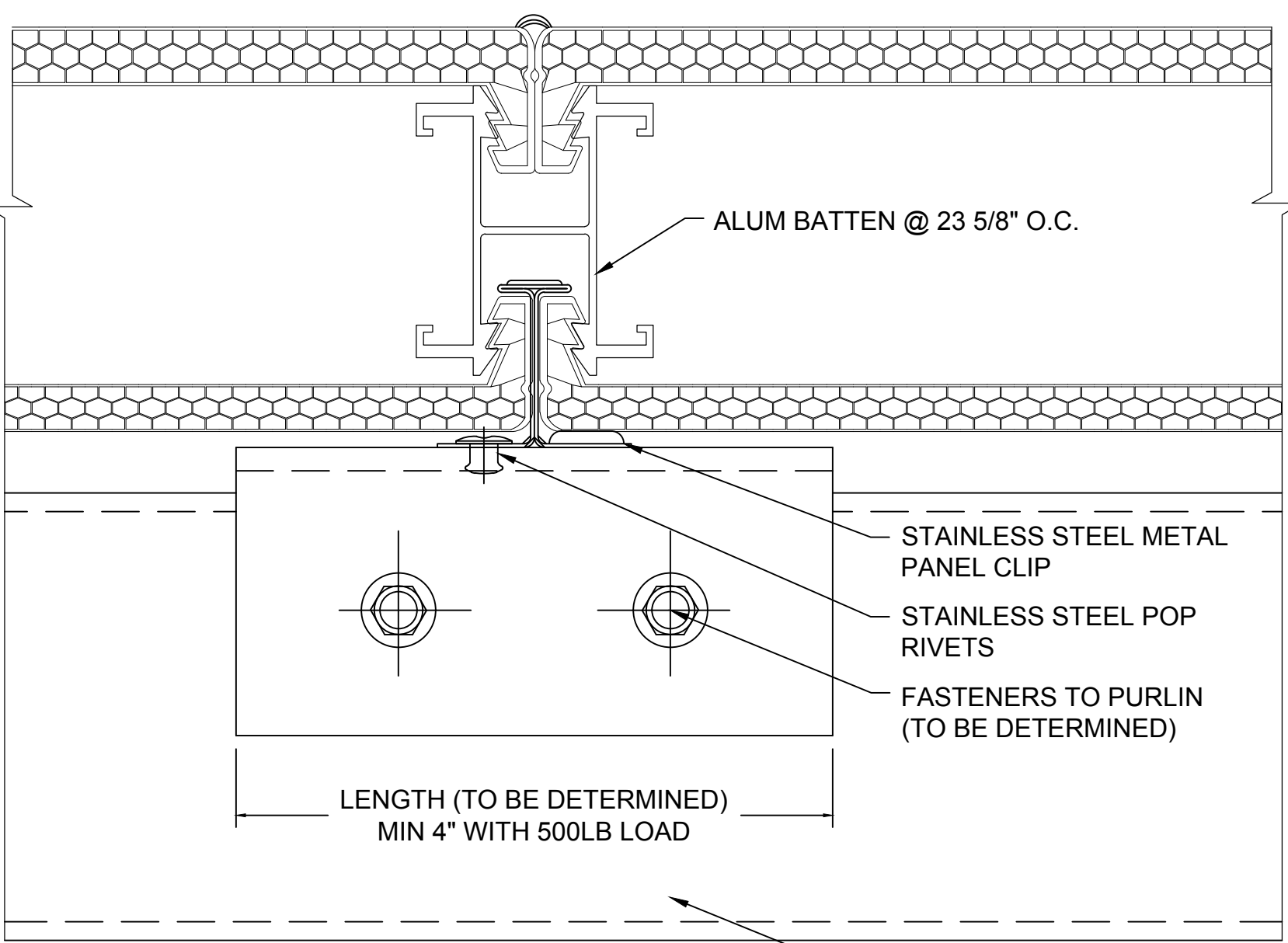
**N** SECTION @ RAFTER  
2.75" QUADWALL SYSTEM  
(4" QUADWALL SYSTEM SIMILAR)



**N<sub>2</sub>** SECTION @ RAFTER  
2.75" QUADWALL SYSTEM  
(4" QUADWALL SYSTEM SIMILAR)  
NOTE: DETAILS N-N2 OCCUR WHEN GLAZING IS SHIPPED KNOCKED DOWN.



**K** SECTION @ BATTEN  
2.75" QUADWALL SYSTEM  
(4" QUADWALL SYSTEM SIMILAR)



**K<sub>2</sub>** SECTION @ BATTEN  
2.75" QUADWALL SYSTEM  
(4" QUADWALL SYSTEM SIMILAR)  
NOTE: DETAILS K-K2 OCCUR WHEN GLAZING IS SHIPPED IN PANELIZED SECTIONS.

**CUSTOM SKYLIGHTS**  
QUADWALL - LARGE SPAN W/ ADDED STRUCTURE  
DOME - SYSTEM (2.75" OR 4") DETERMINED BY DESIGN LOADS



28662 N. Ballard Drive  
Lake Forest, IL 60045 USA  
T: +1 847.816.1060  
F: +1 847.816.0475

**Note**

The standard details shown are for reference only.

Please contact our Architectural Support Department for job specific details and for information regarding the usage, limitations, and or code requirements pertaining to this product, please contact us at:

support@cpidaylighting.com

Details are subject to change and should be verified with our Architectural Support Department prior to implementation, please contact us at: support@cpidaylighting.com

SHEET NO.

3 OF 3