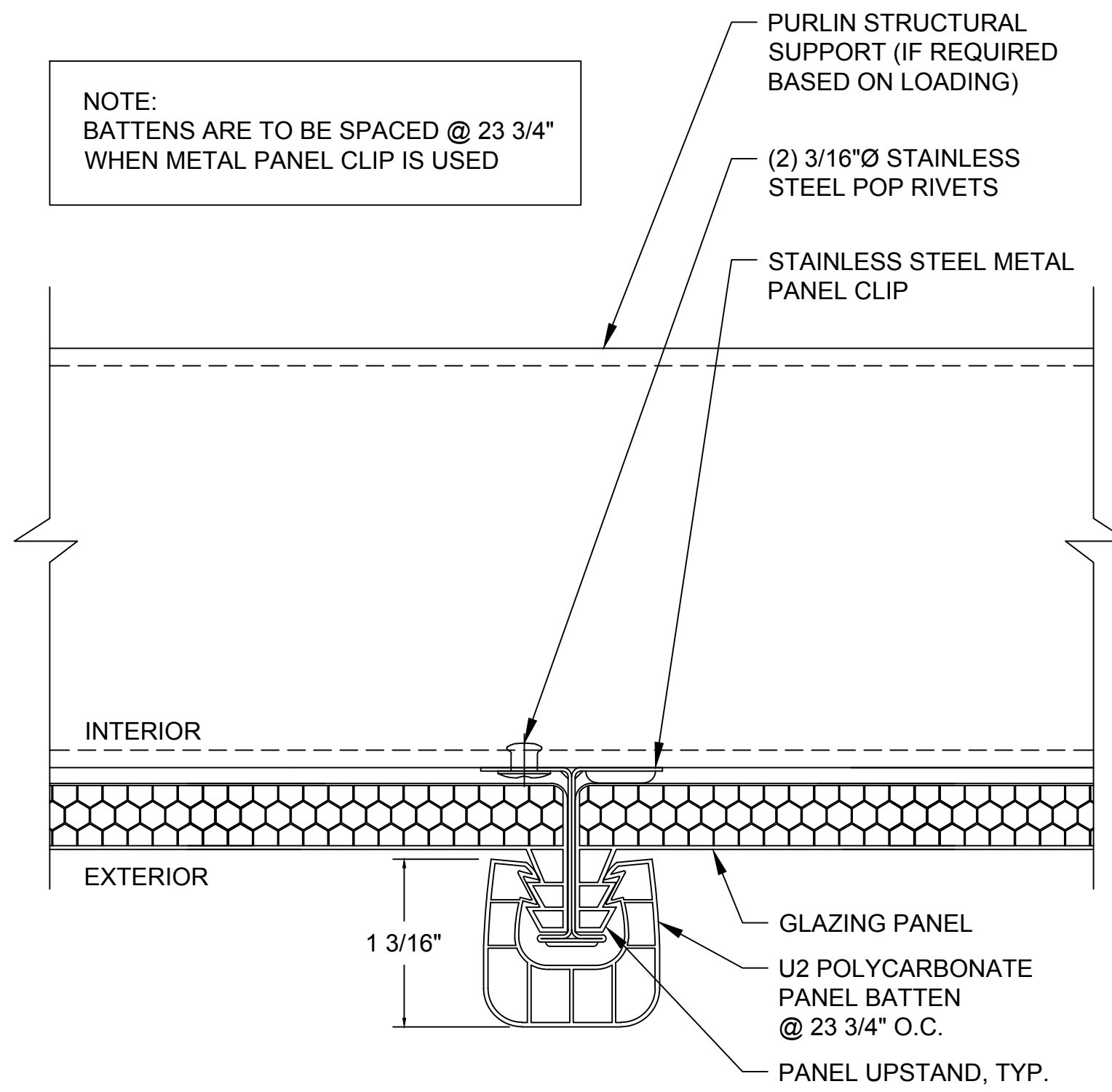
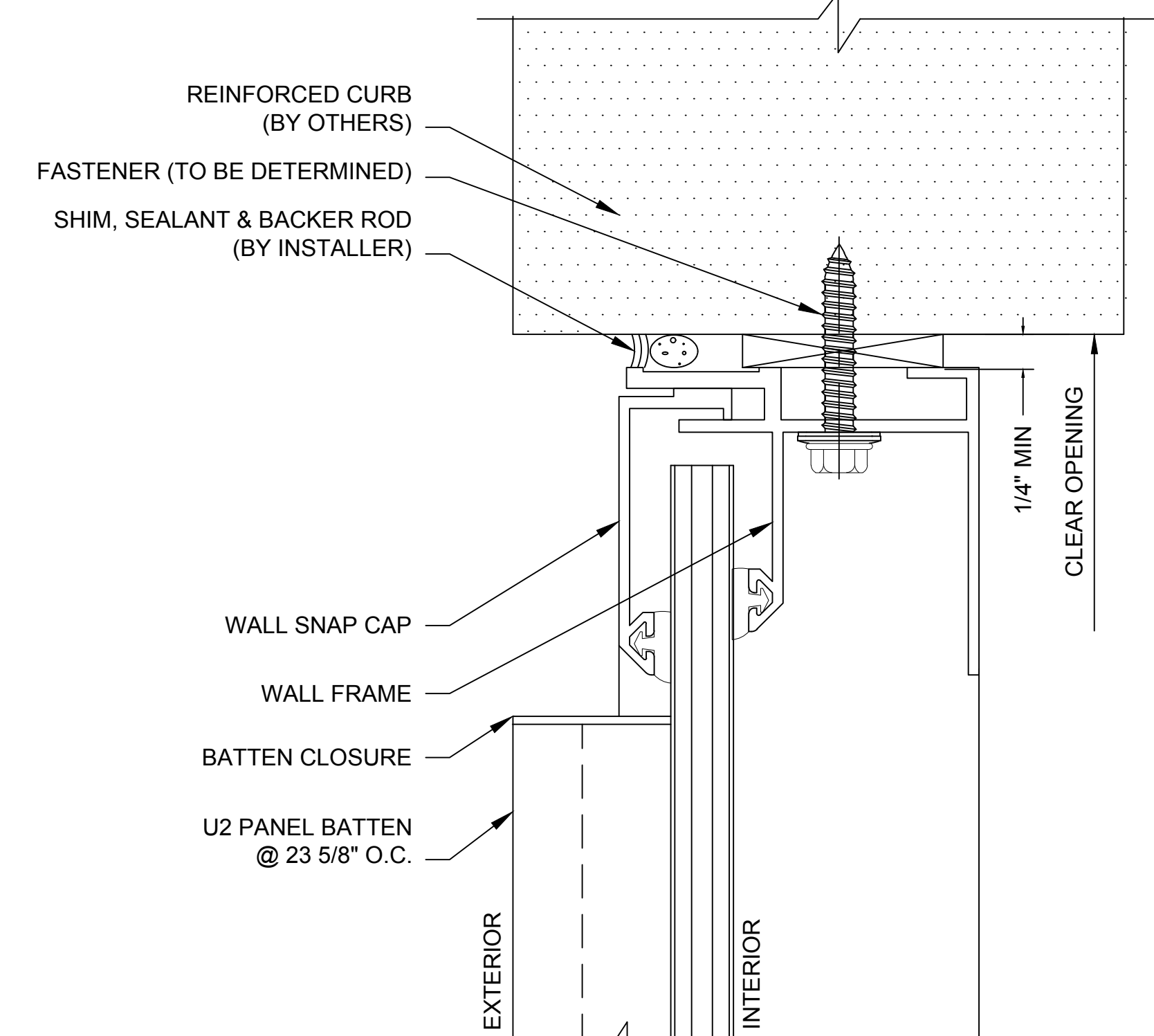


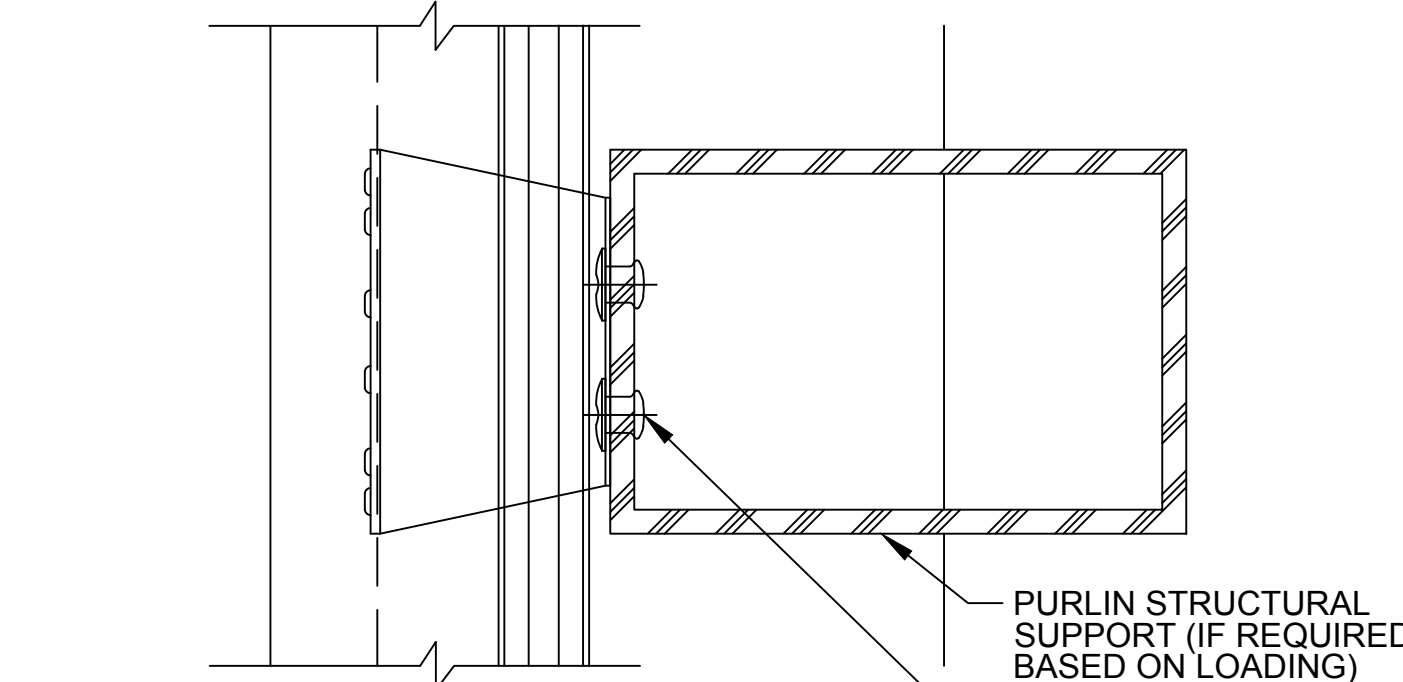
ELEVATION



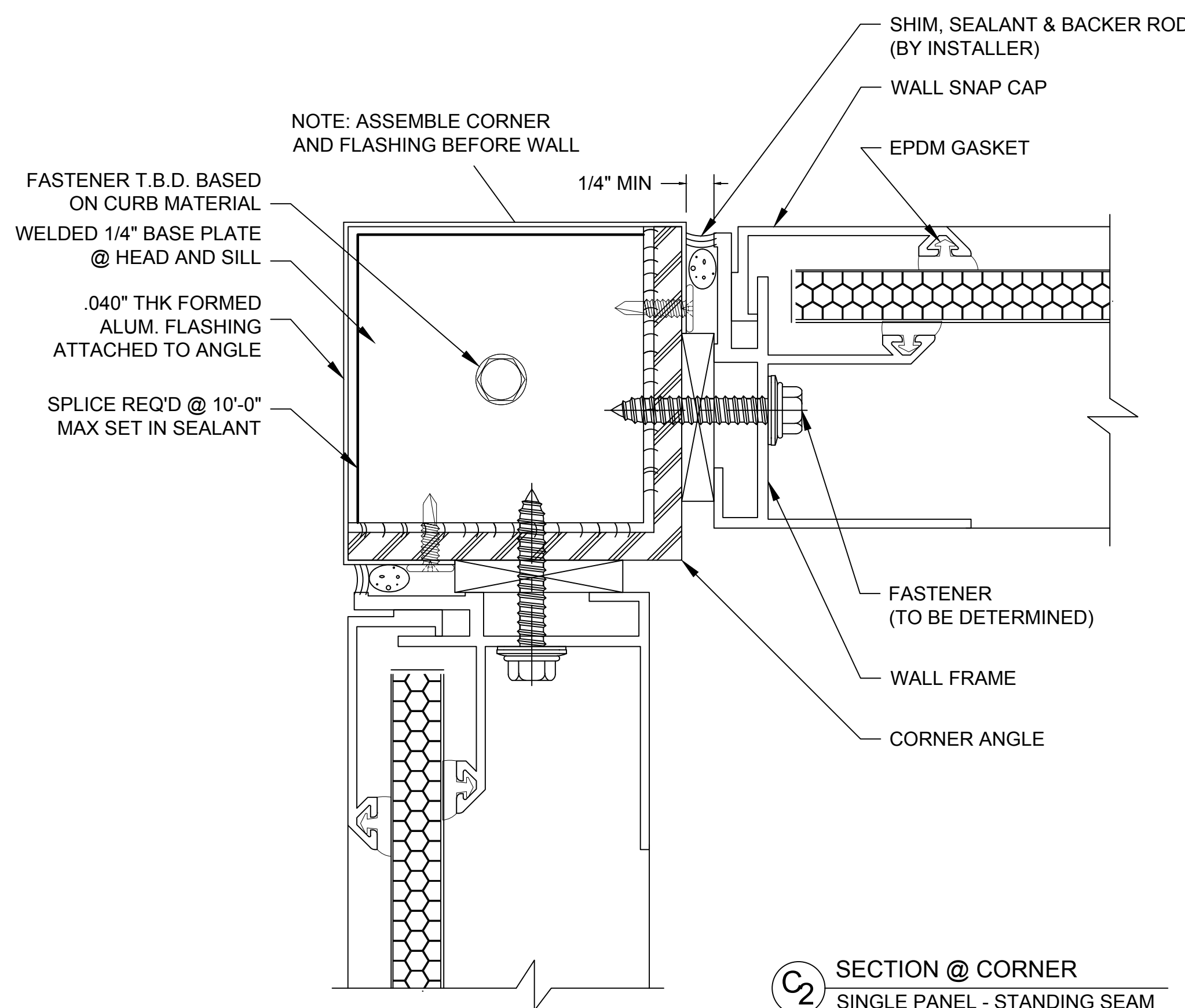
D SECTION @ BATTEN  
SINGLE PANEL - STANDING SEAM



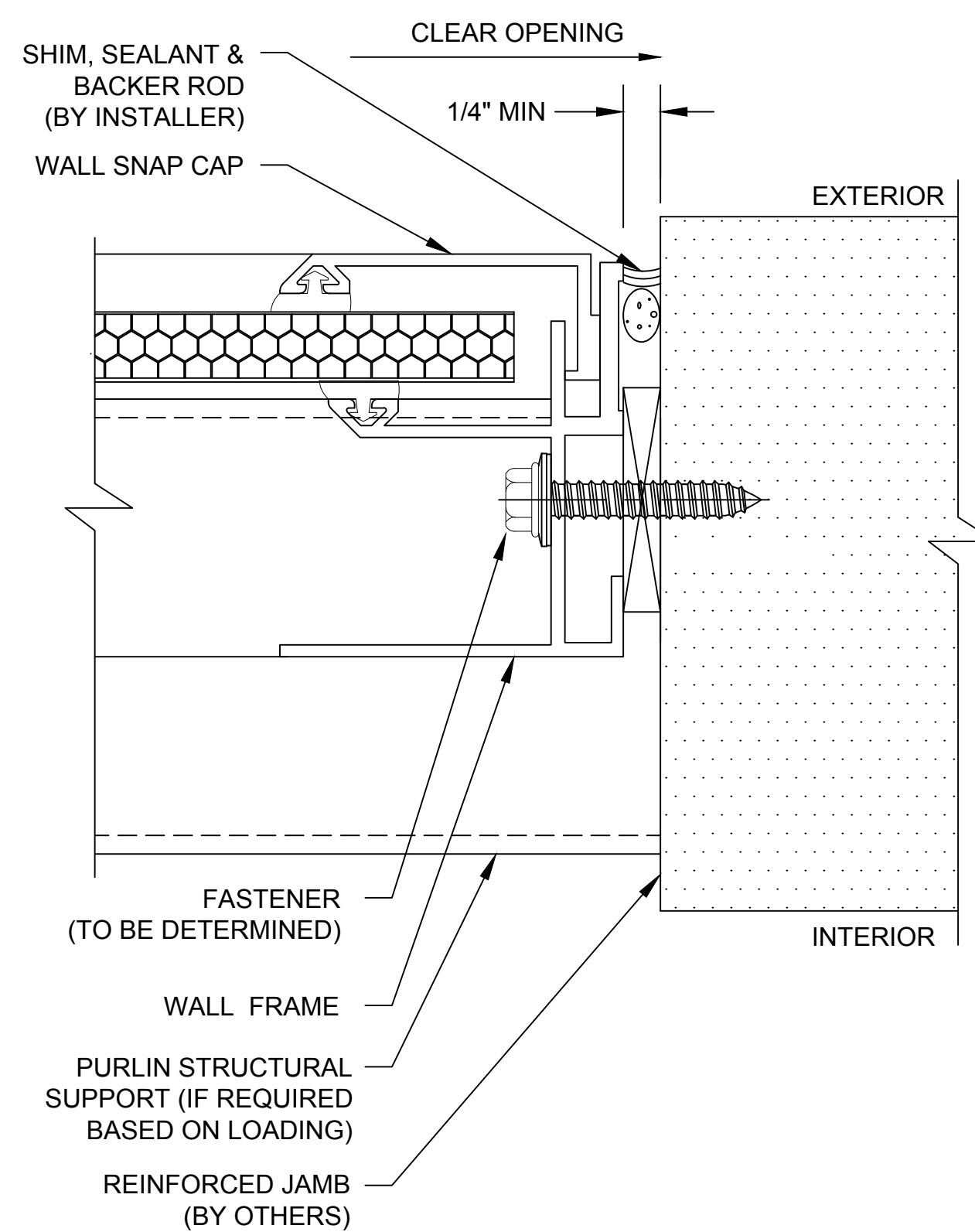
B SECTION @ HEAD - POLY BATTEN  
SINGLE PANEL - STANDING SEAM



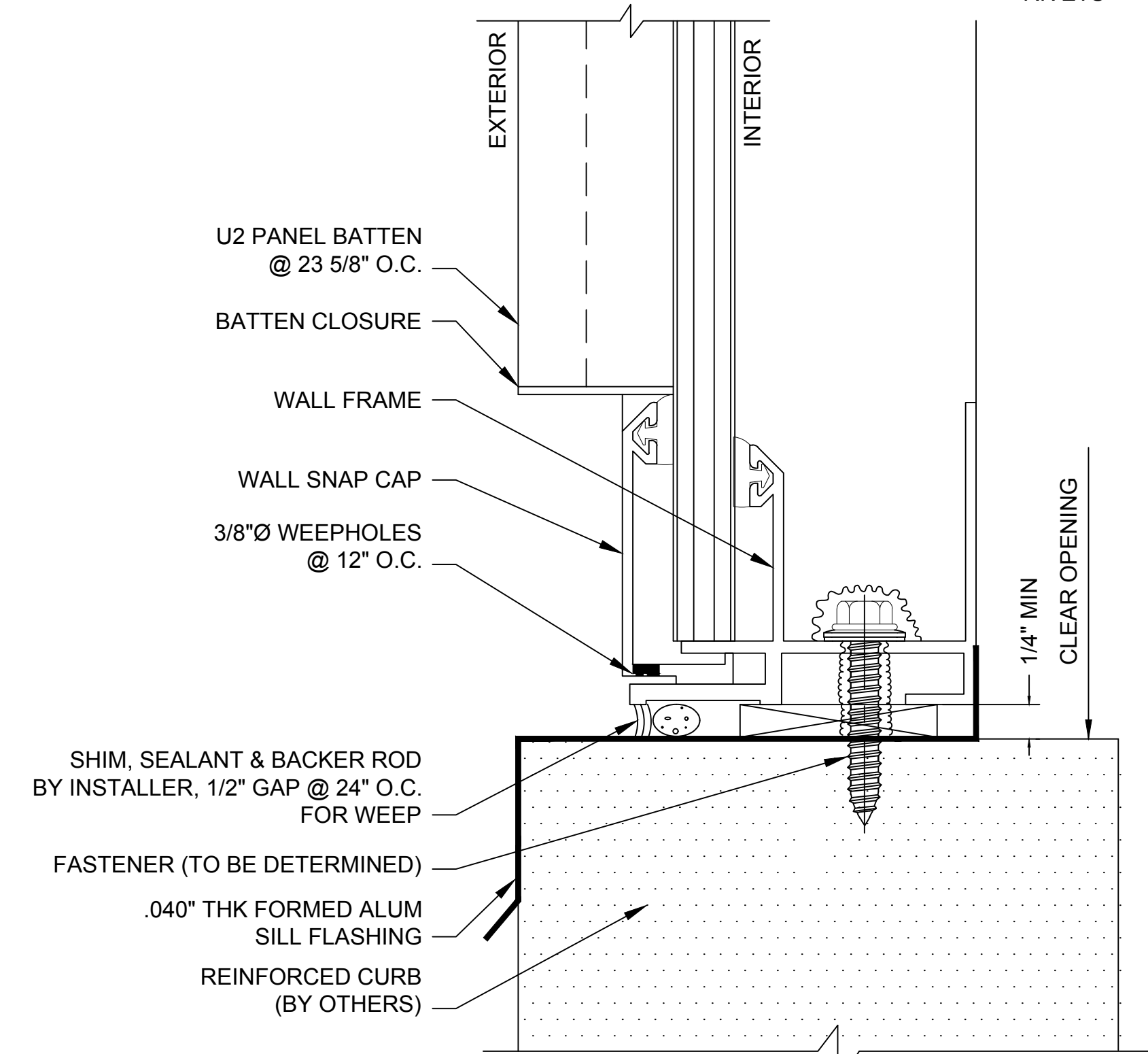
E SECTION @ PURLIN - POLY BATTEN  
SINGLE PANEL - STANDING SEAM



C2 SECTION @ CORNER  
SINGLE PANEL - STANDING SEAM



C1 SECTION @ JAMB  
SINGLE PANEL - STANDING SEAM



A SECTION @ SILL - POLY BATTEN  
SINGLE PANEL - STANDING SEAM

Details are subject to change and should be verified with our Architectural Support Department prior to implementation, please contact us at: [support@cpidaylighting.com](mailto:support@cpidaylighting.com)

CLADDING / SCREEN WALLS  
PENTAGLAS - STANDING SEAM  
UNCONDITIONED SPACE

CPI Daylighting  
Building Envelope Solutions

Kingspan  
Light+Air

28662 N. Ballard Drive  
Lake Forest, IL 60045 USA

T: +1 847.816.1060  
F: +1 847.816.0475

Note

The standard details shown are for reference only.

Please contact our Architectural Support Department for job specific details and for information regarding the usage, limitations, and or code requirements pertaining to this product, please contact us at:

[support@cpidaylighting.com](mailto:support@cpidaylighting.com)

SHEET NO.

1 OF 1