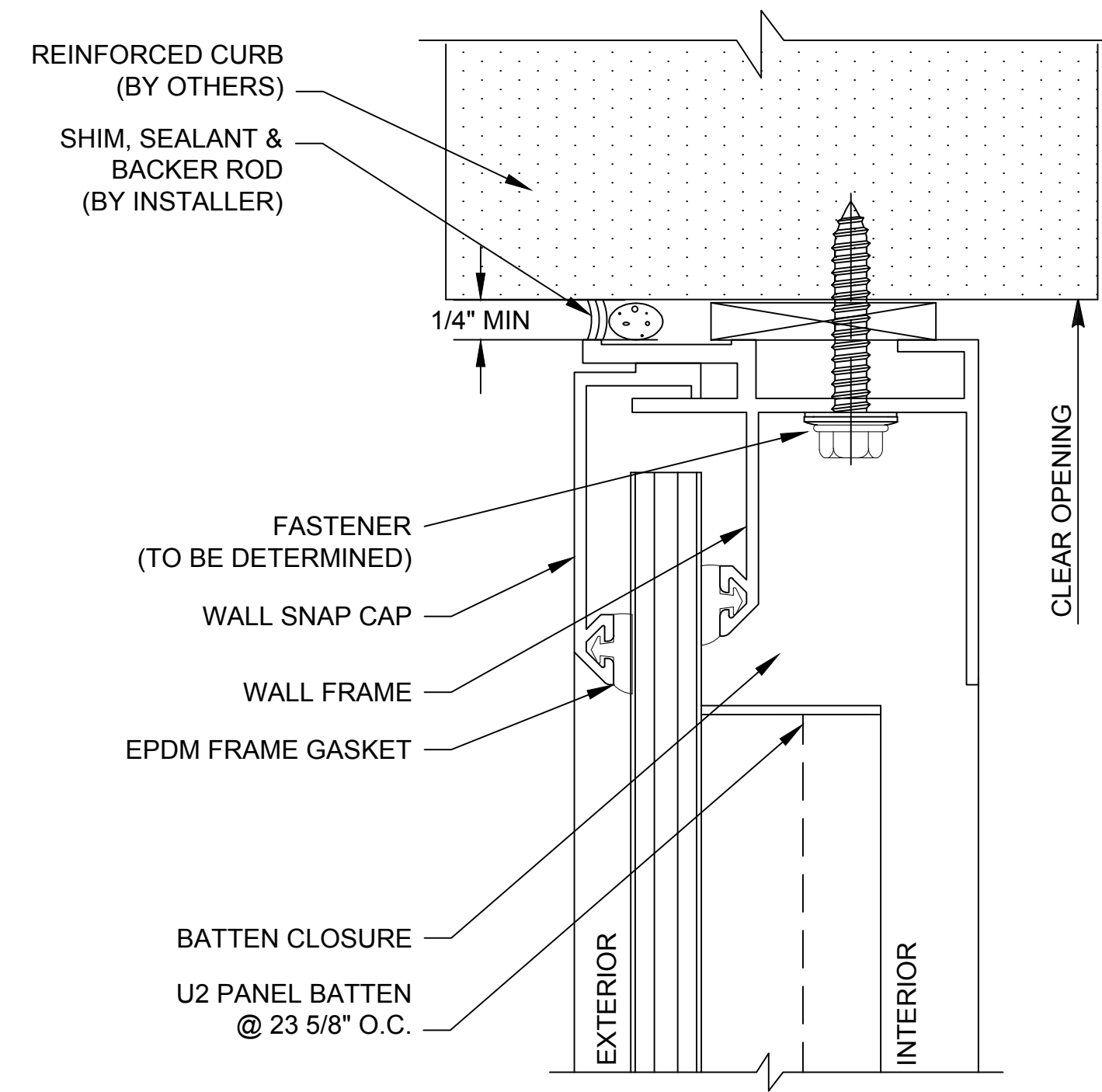
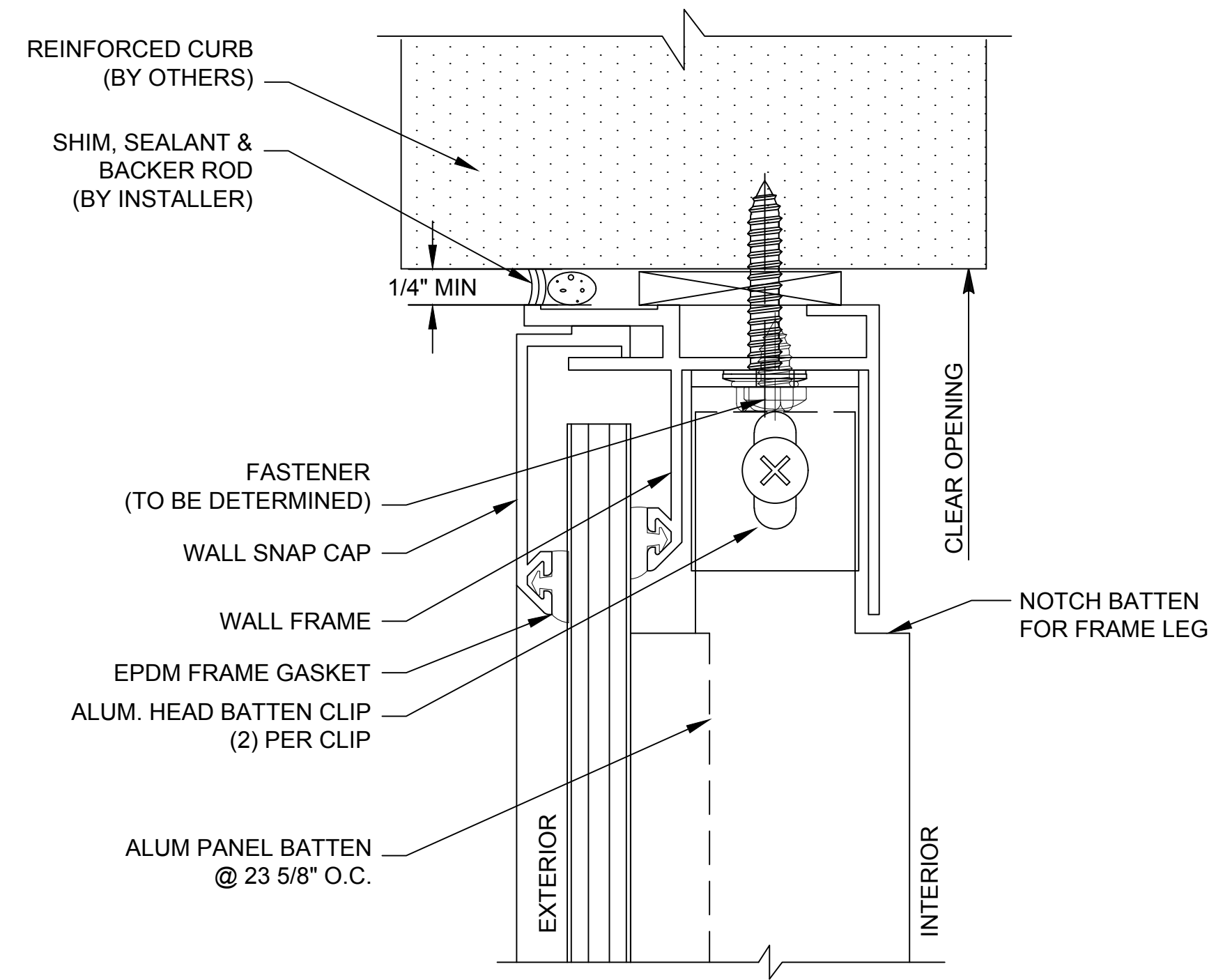


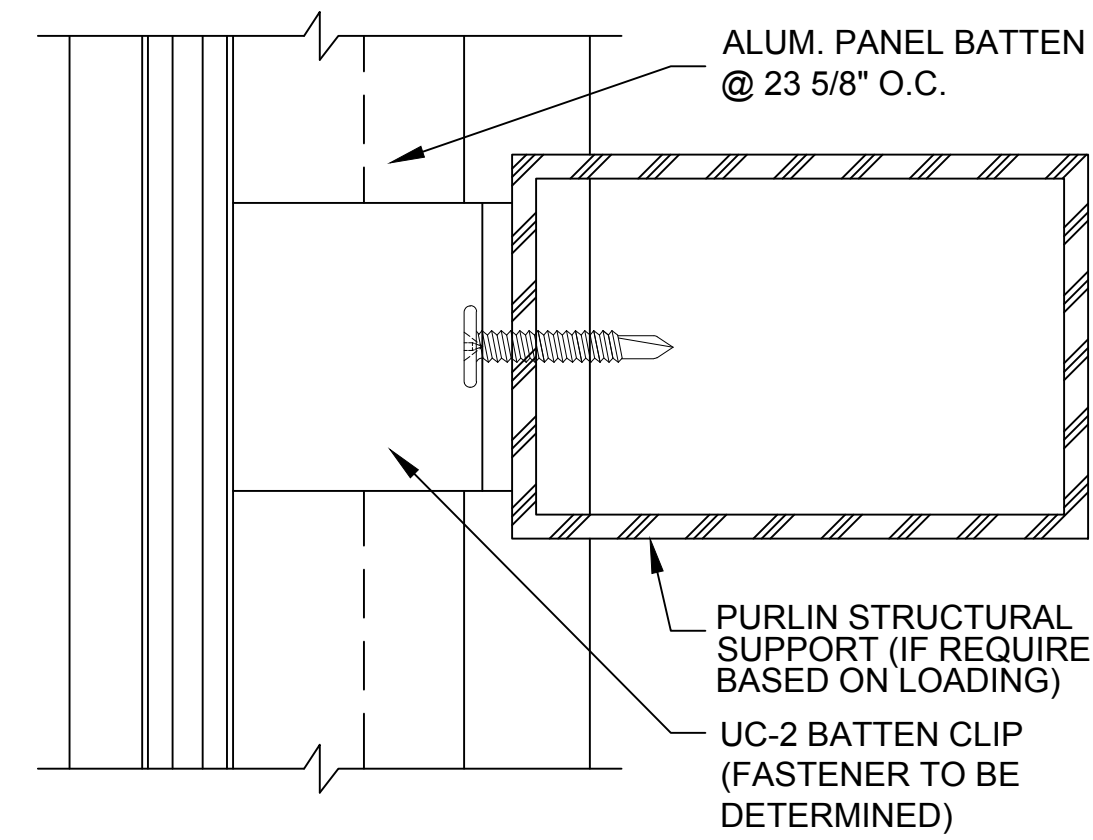
ELEVATION



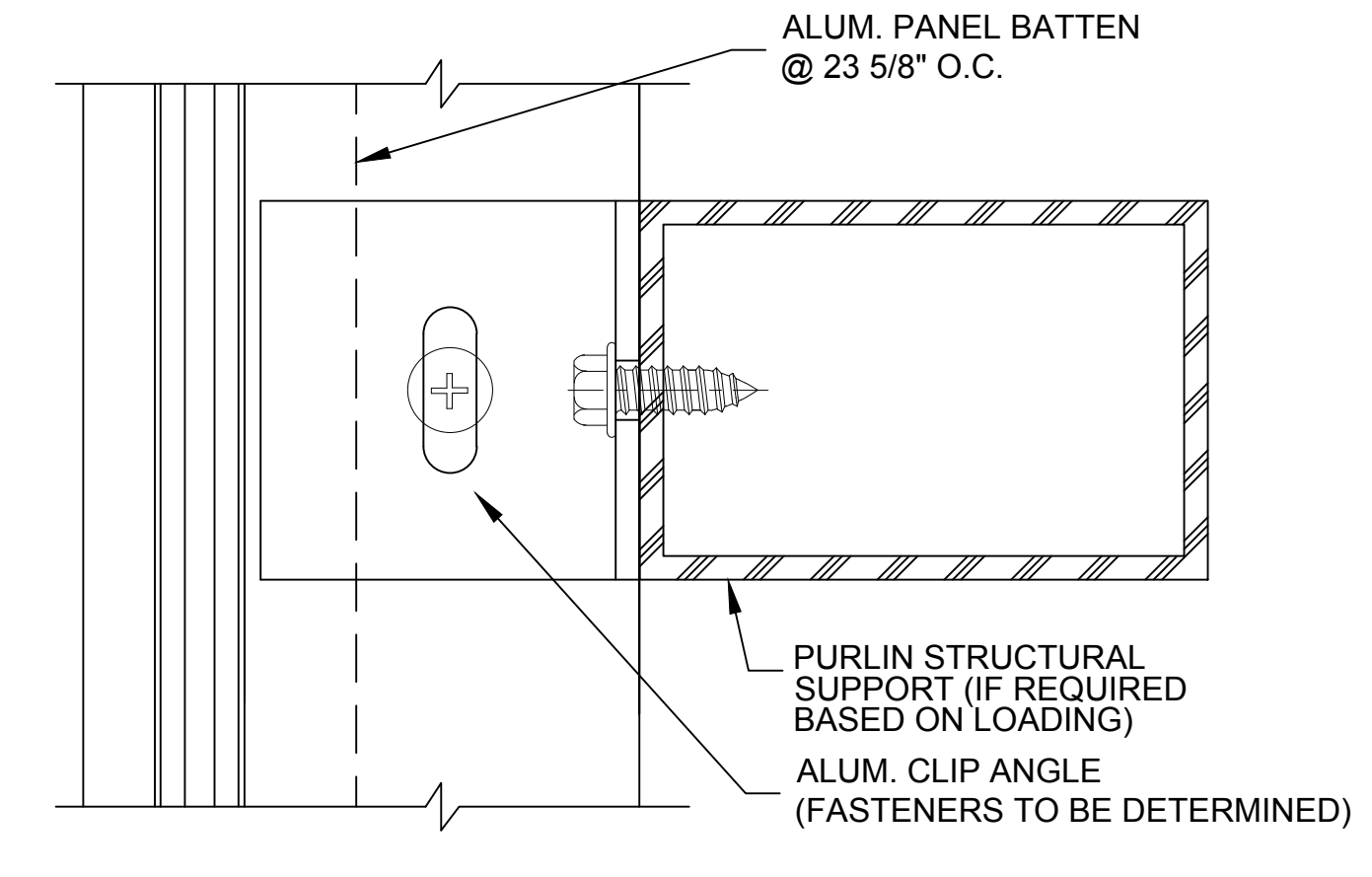
B1 SECTION @ HEAD - POLY BATTEN
SINGLE PANEL - FLUSH



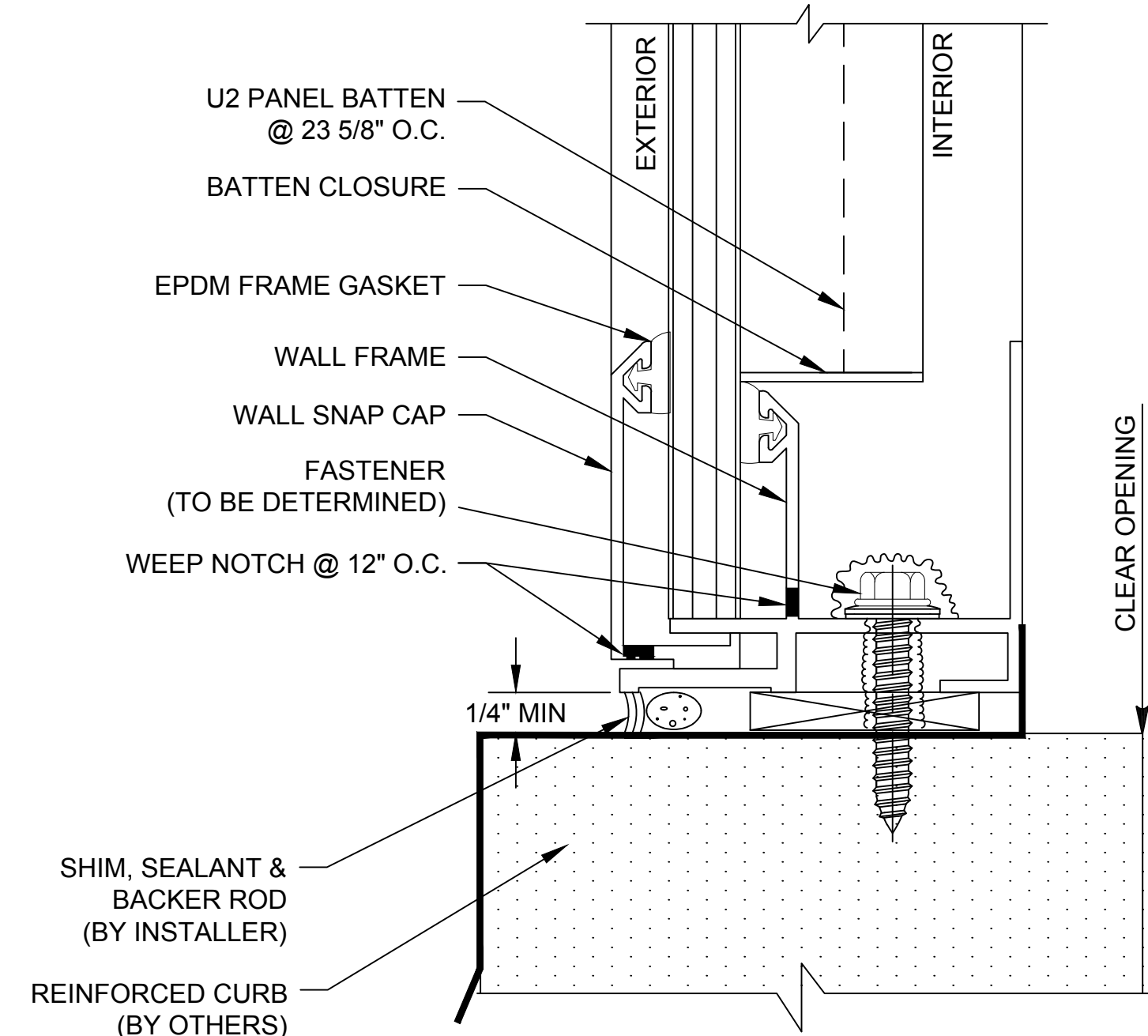
B2 SECTION @ HEAD - ALUM BATTEN
SINGLE PANEL - FLUSH



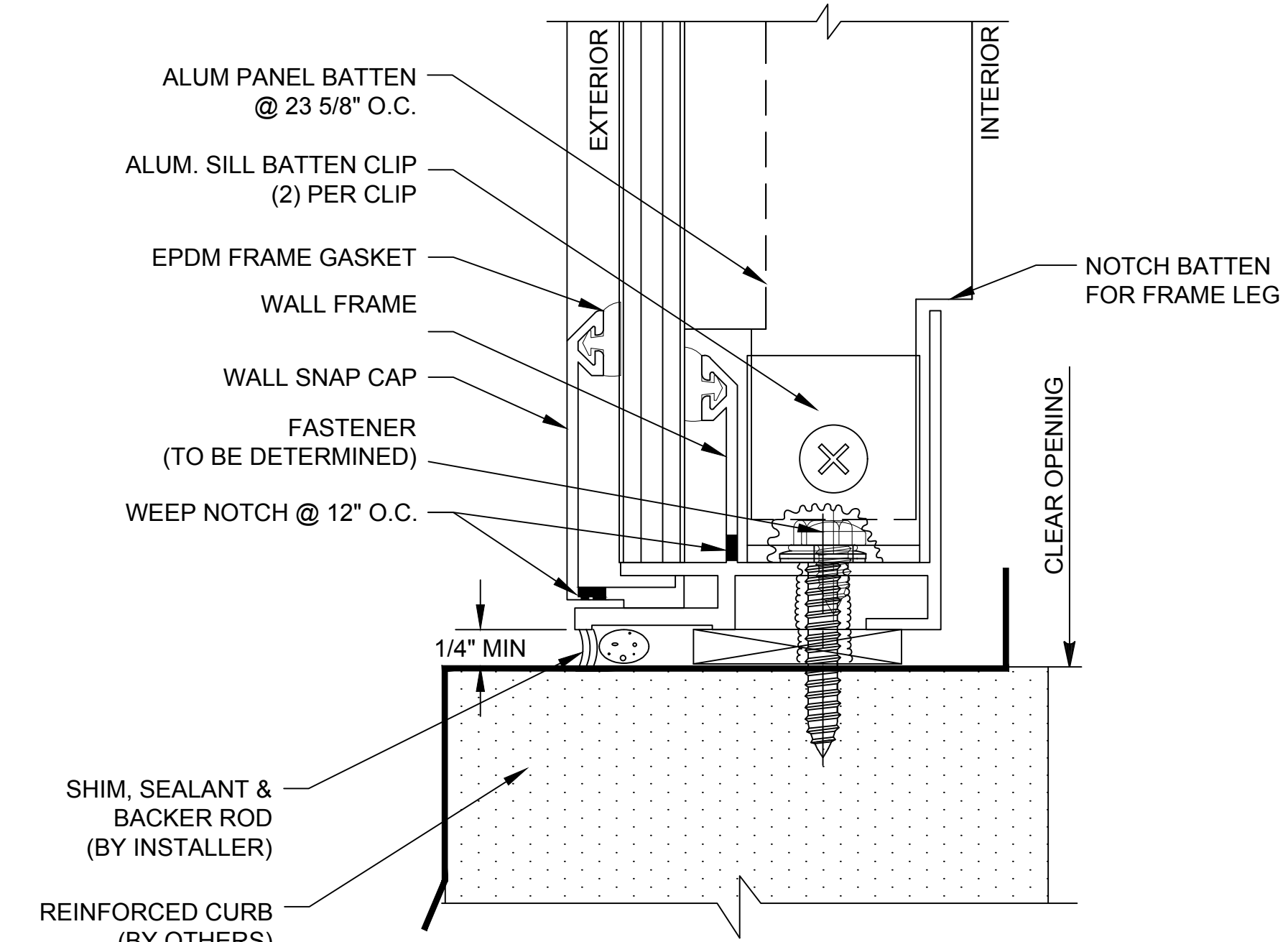
E1 SECTION @ PURLIN - POLY BATTEN
SINGLE PANEL - FLUSH



E2 SECTION @ PURLIN - ALUM BATTEN
SINGLE PANEL - FLUSH



A1 SECTION @ SILL - POLY BATTEN
SINGLE PANEL - FLUSH



A2 SECTION @ SILL - ALUM BATTEN
SINGLE PANEL - FLUSH

Details are subject to change and should be verified with our Architectural Support Department prior to implementation, please contact us at: support@cpidaylighting.com

CLADDING / SCREEN WALLS
PENTAGLAS - FLUSH
UNCONDITIONED SPACE



28662 N. Ballard Drive
Lake Forest, IL 60045 USA
T: +1 847.816.1060
F: +1 847.816.0475

Note

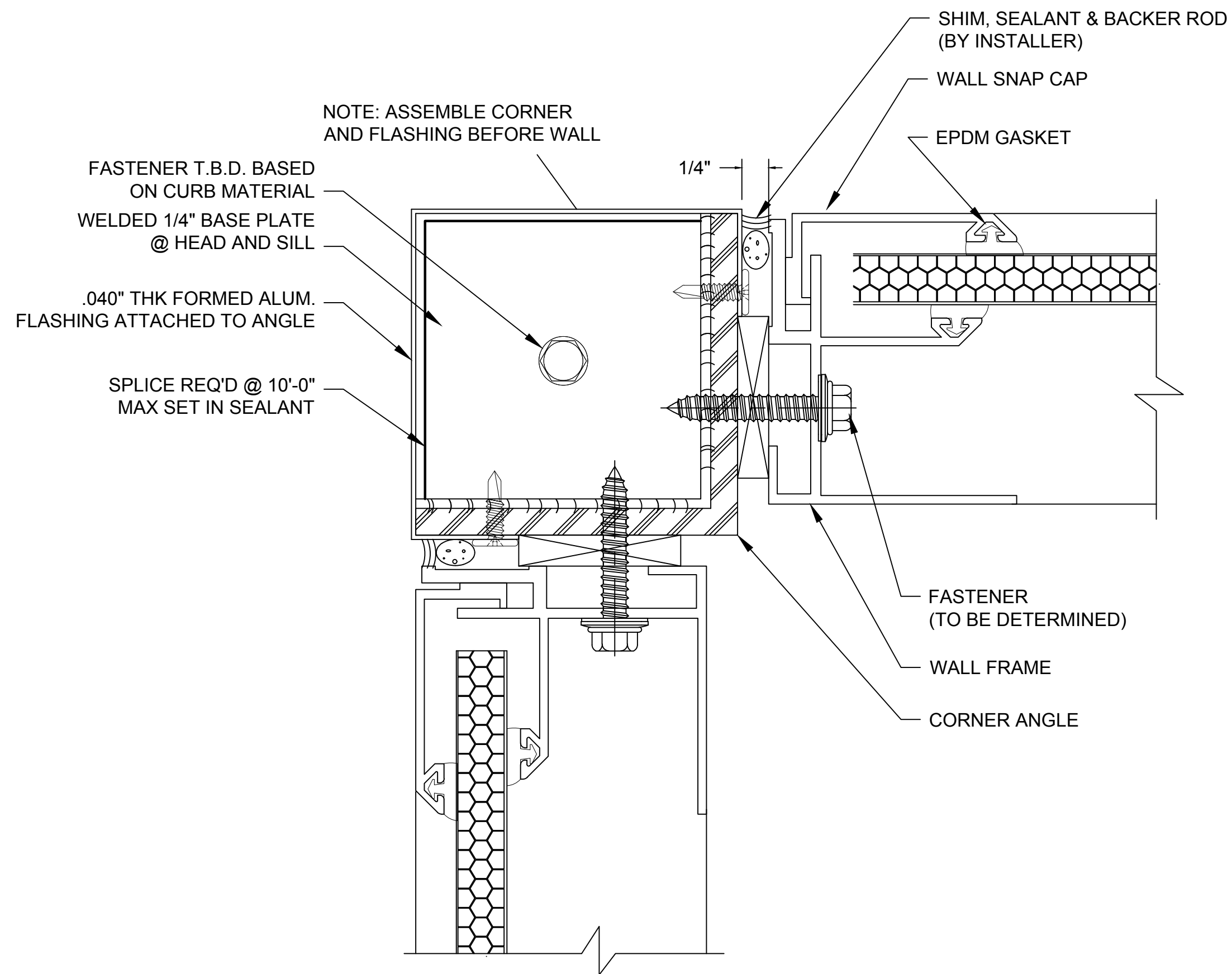
The standard details shown are for reference only.

Please contact our Architectural Support Department for job specific details and for information regarding the usage, limitations, and or code requirements pertaining to this product, please contact us at:

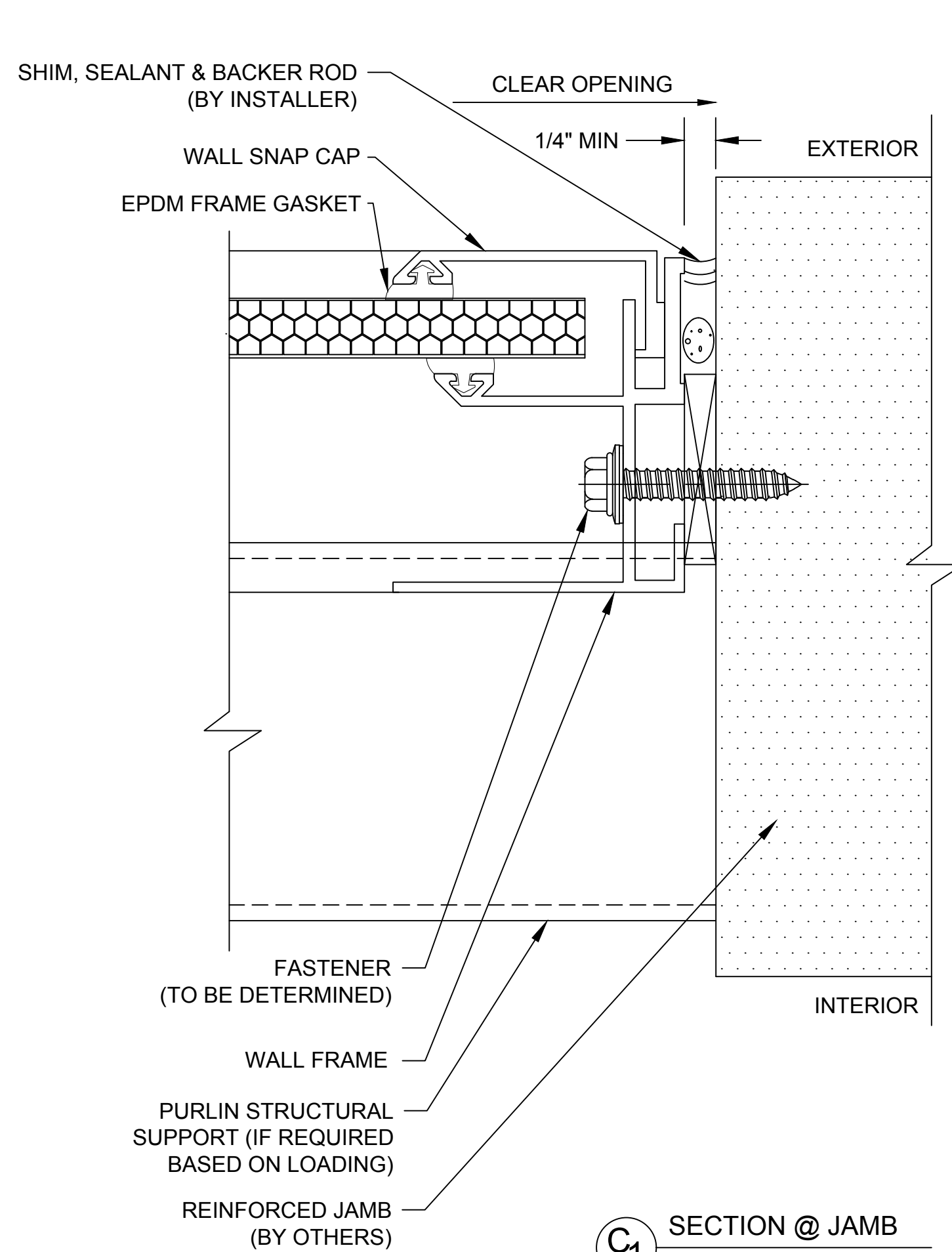
support@cpidaylighting.com

SHEET NO.

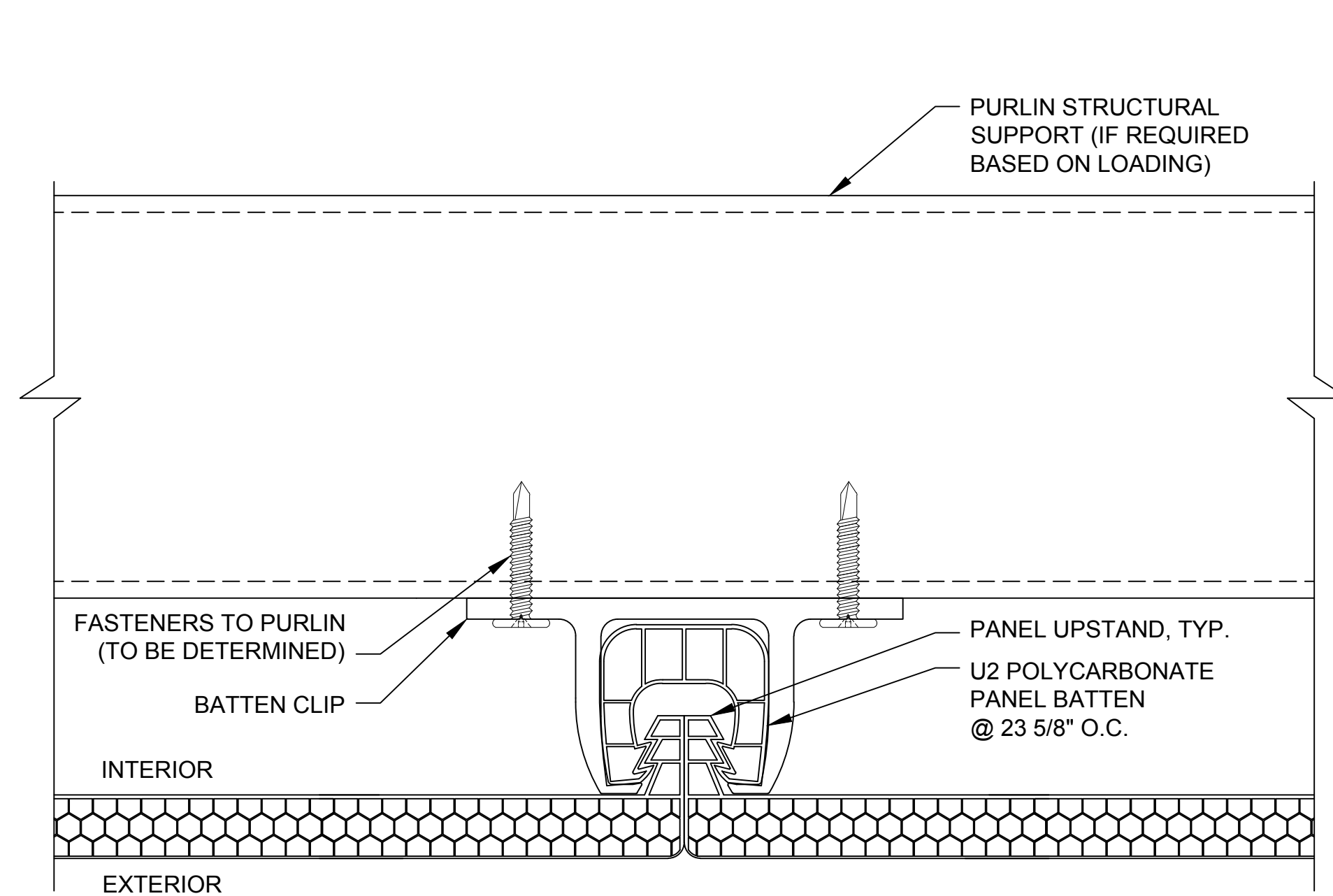
1 OF 2



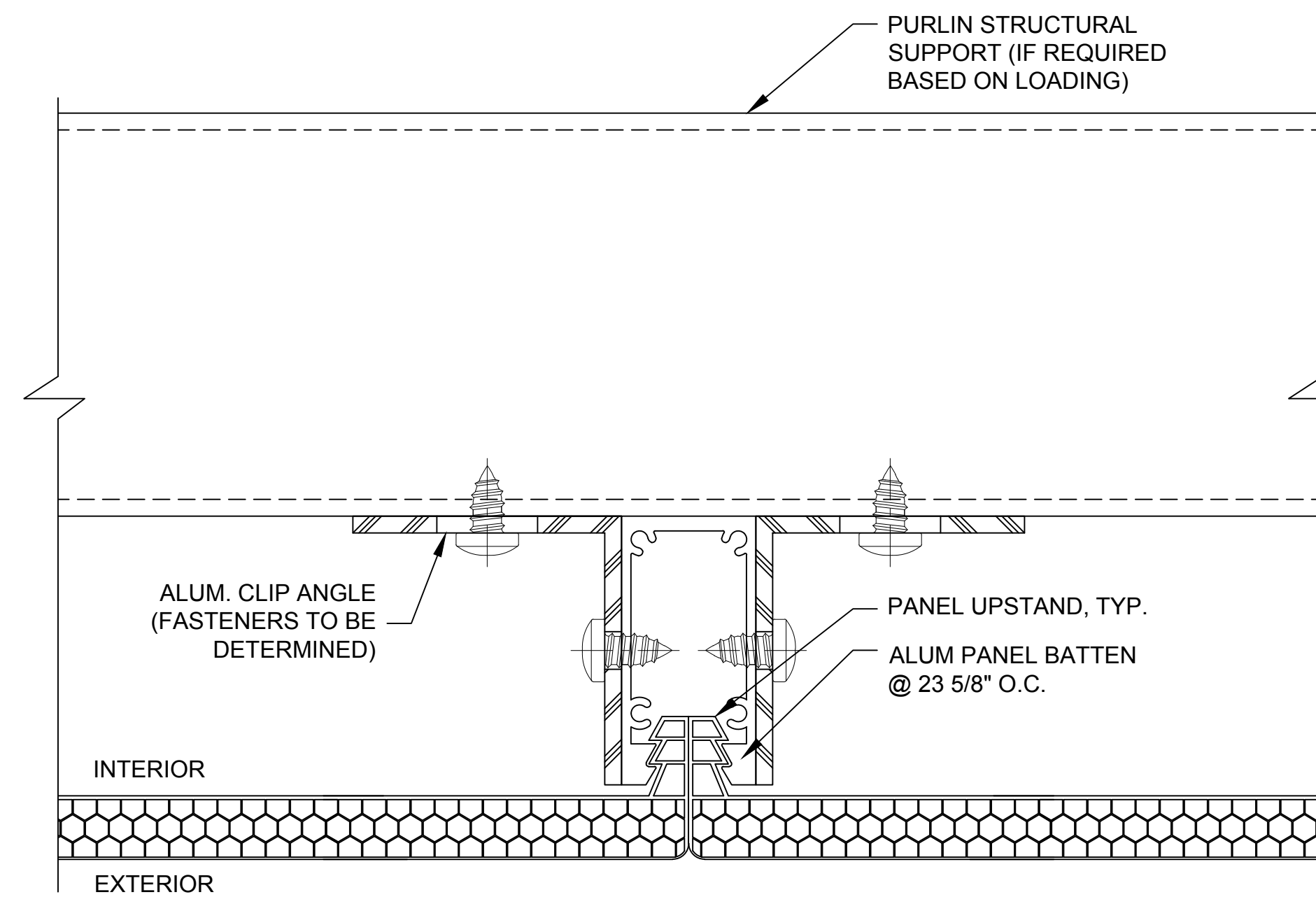
C2 SECTION @ CORNER
SINGLE PANEL - FLUSH



C1 SECTION @ JAMB
SINGLE PANEL - FLUSH



D1 SECTION @ BATTEN
SINGLE PANEL - FLUSH



D2 SECTION @ BATTEN
SINGLE PANEL - FLUSH

CLADDING / SCREEN WALLS
PENTAGLAS - FLUSH
UNCONDITIONED SPACE



28662 N. Ballard Drive
Lake Forest, IL 60045 USA
T: +1 847.816.1060
F: +1 847.816.0475

Note
The standard details shown are for reference only.
Please contact our Architectural Support Department for job specific details and for information regarding the usage, limitations, and or code requirements pertaining to this product. please contact us at:
support@cpidaylighting.com

Details are subject to change and should be verified with our Architectural Support Department prior to implementation, please contact us at: support@cpidaylighting.com